



Villeroy & Boch
1748



VAT not included.

Export
PRICE LIST 2020

SINKS · TAPS · ACCESSORIES

INTRODUCTION

This price list replaces all previously valid price lists. It is valid for deliveries as of 1st May 2020. The prices given in this price list are recommended retail prices (VAT not included). Variations in colour and dimensions apply within the standard tolerances. We reserve the right to change colours and models. Ceramic materials from Villeroy & Boch possess a high degree of inherent stability. They are able to withstand all water temperatures and temperature shocks from hot and cold water and are resistant to steam. The glazes on sanitary ceramics from Villeroy & Boch are to a certain extent scratch-proof and resistant to all alkalis and acids which are common in the sanitary area. This scope of resistance does not include hydrofluoric acid and its compounds. Organic solvents and intensive agents will not affect the glaze. All offers, sales and deliveries of sanitary ceramic items and accessories are based on „General Sales and Delivery Conditions of Villeroy & Boch AG Bath and Wellness Division“. The manufacturer’s consent shall be required for reproduction or duplication in any form, including extracts.

CHANGE TO THE RANGE

1. NEW PRODUCTS

1.1 SINKS	
3346 01/02	Siluet 60 S (page 22)
3345 01/02	Siluet 50 S (page 32)
3346 1F/2F	Siluet 60 S Flat (page 54)
3345 1F/2F	Siluet 50 S Flat (page 61)
	Colour AM Almond
6323/6320	Colour M1 Mosaïque
1.2 TAPS	
9273 00 LC	Steel Expert Compact stainless steel
9273 00 05	Steel Expert Compact Anthracite
9265 00/9668 01/9697 01	Steel Expert / Modern Steel / Steel Shower in colour 05 Anthracite
1.3 ACCESSORIES	New accessories
9236 20	Soap dispenser in colour 03 Gold, 04 Bronze, 05 Anthracite
9624 15	Cap waste cover in colour 03 Gold, 04 Bronze, 05 Anthracite
8299 10	Cover cap for overflow in colour 03 Gold, 04 Bronze, 05 Anthracite

2. DISCONTINUATION

2.1 SINKS	
6720/6721	Subway 60 XR / Subway 60 XR Flat
6716	New Wave 60
6707	Cisterna 26 all colours except R1
all Sinks	Colours i5 Sand, 50 Emerald, 07 Sunrise, 51 Coral, 26 Midnight
all flat Sinks	Colour TR Timber
2.2 TAPS	
9274 00	Aloro
1.3 ACCESSORIES	
8K10 00 K1	Salad basket
8K11 00 K1	Salad basket
8K17 00 K1	Salad basket
8K25 00 K1	Salad basket

Delivery of discontinued articles from current production until 29.02.2020, after only from existing stock.

TAP HOLES OVERVIEWS

When ordering your sink, please specify tap holes you would like us to drill for you, by using their reference numbers. Additional charge: 9€/ tap hole						
Ref. Number	HL1	HL2	HL3	HL4	HL5	HL6
Description	Tap hole 1 punched out	Tap hole 2 punched out	Tap hole 3 punched out	Tap hole 4 punched out	Tap hole 5 punched out	Tap hole 6 punched out

■ GENERAL INFORMATION	4
■ BUILT-IN SINKS	14
<i>Size of undercabinet 80 cm</i>	14
<i>Size of undercabinet 60 cm</i>	16
<i>Size of undercabinet 50 cm</i>	28
<i>Size of undercabinet 45 cm</i>	36
■ UNDERCOUNTER SINKS	43
■ FLUSHMOUNTED SINKS	52
<i>Size of undercabinet 60 cm</i>	52
<i>Size of undercabinet 50 cm</i>	60
<i>Size of undercabinet 45 cm</i>	65
■ MODULES / CORNER SINKS	69
■ TAPS	77
■ SPARE PARTS AND ACCESSORIES	92
■ INSTALLATION INSTRUCTIONS	99
■ GENERAL SALES AND DELIVERY CONDITIONS	112

COLOUR RANGE

Classicline Ceramicplus



R1 White alpin
glossy

RW Stone White

KR Cream
glossy

FU Ivory

AM Almond

SM Steam

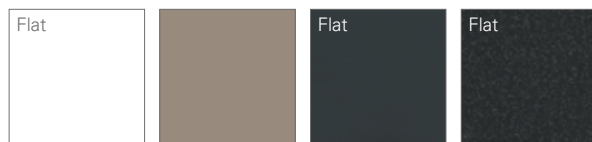
KD Fossil

SL Stone



i4 Graphite

Premiumline Ceramicplus



KG Snow White
glossy

TR Timber

S5 Ebony

JO Chromite
glossy

Trendline Ceramicplus



KT
Decor white pearl

KW
Decor La Rose

M1
Decor Mosaïque

Please consult the inner pages of the price list for the availability of colours for the different sink models.



THE HIGHEST QUALITY A LIFETIME LONG

Ceramics from Villeroy & Boch combine the experience of traditional craftsmanship with maximum industrial precision. The result: products that enrich life with good design, lasting quality and with an assured sense of style. Kitchen sinks from Villeroy & Boch combine practicality and design with the tried-and-tested qualities of ceramics, which are offered by almost no other material. Discover the decisive advantages of Villeroy & Boch ceramics:

- 1. Scratch- and knife-resistant*
- 2. Acid-resistant*
- 3. Heat-resistant*
- 4. Shock-resistant*
- 5. Hygienic and food-safe*
- 6. Stain proof*
- 7. Lightfast in each colour*
- 8. Easy to clean thanks to CeramicPlus*



CERAMIC SINKS: DÉCORS

BRING YOUR CERAMICS TO LIFE

La Rose and White Pearl, two charming white-on-white decors available for selected sinks. Inspired by extensive expertise in decorative techniques from the tableware sector, the unique La Rose and White Pearl surface finishes are available exclusively from Villeroy & Boch.

The new Mosaïque décor is inspired by Villeroy & Boch's famous ceramic Mettlach tiles. Many of the original pieces can still be seen today - at locations steeped in history such as Cologne Cathedral or the Holland Tunnel under the Hudson River in New York. Fascinatingly three-dimensional and unique in its effect, the décor embellishes the butler sink with a fine geometric pattern to make it the centrepiece of the modern kitchen.



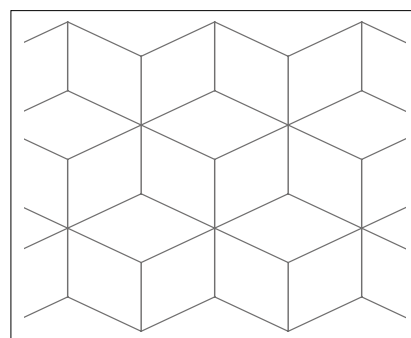
LA ROSE DÉCOR



WHITE PEARL DÉCOR



MOSAÏQUE DÉCOR



LA ROSE DÉCOR

Art.no.	on draining area
6790	Timeline 60
3307	Timeline 50
6791	Timeline 45
6712/6770	Subway 60
6719/6718	Subway 60 XL
6713/6773	Subway 50
6714/6772	Subway 45

WHITE PEARL DÉCOR

Art.no.	on tap ledge
6712/6770	Subway 60
6719/6718	Subway 60 XL
6713/6773	Subway 50
6714/6772	Subway 45
	at the front
6323	Double-Bowl Sink 90 cm
6320	Single-Bowl Sink 60 cm

MOSAÏQUE DÉCOR

Art.no.	at the front
6323	Double-Bowl Sink 90 cm
6320	Single-Bowl Sink 60 cm

Our décors are only available for the basic colour White Alpin (glossy) and for built-in sinks / Butler sinks (not possible for flush-fit or undercounter sinks).

CERAMIC SINKS: ADVANTAGES

A VERY SPECIAL MATERIAL

Kitchen sinks are subject to considerable stress because contact with acidic foods, sharp kitchen implements and hot pans is part and parcel of everyday life. This makes the quality of the material all the more important. With a ceramic sink from Villeroy & Boch, you benefit from 270 years of experience, revolutionary production techniques and 100% natural raw materials. For maximum comfort, minimum maintenance and unparalleled durability.



1. SCRATCH- AND KNIFE-RESISTANT

The high-quality surface is so robust that even knives hardly leave a trace.

2. ACID-RESISTANT

Our ceramic easily withstands contact with acidic foods or household cleaning agents.



3. HEAT-RESISTANT

Hot oven dishes don't leave a mark on Villeroy & Boch ceramic sinks.

4. SHOCK-RESISTANT

Thanks to the great material stability, the sinks are impact-resistant, even when heavy pots and pans are placed on them.



5. HYGIENIC AND FOOD-SAFE

The natural material does not take on flavours or smells and so is absolutely food safe.



6. STAIN-PROOF

Food and drinks don't leave any trace on the surface of our ceramic sinks.



7. LIGHTFAST IN EACH COLOUR

Even after long-term exposure to direct sunlight, our ceramic colours stay as vivid as on the very first day.



8. ESPECIALLY EASY TO CLEAN

Our ceramic is very easy to clean. Thanks to the CeramicPlus finish, dirt and limescale almost disappear of their own accord.

VILLEROY&BOCH: SUSTAINABILITY

RESPONSIBLE: ENVIRONMENTAL PROTECTION IS SECOND NATURE TO VILLEROY & BOCH

Environmental protection is self-evident for Villeroy & Boch, and all relevant process are controlled and linked worldwide by a central environment management unit. With a view to developing innovative production processes and solutions making more efficient use of energy and raw materials, reducing emissions and extending the service life of products - well beyond the levels set by laws and regulations .

SOME OF VILLEROY & BOCH'S ENVIRONMENTAL ACTIVITIES:

- Continual reduction of waste water at all plants
- 40% reduction in CO2 emissions in Mettlach since 2005
- EMAS (Eco Management and Audit Scheme) validation
- One of the first ceramics manufacturers worldwide to be awarded ISO 9001 certification
- Certification in accordance with international environmental management standard ISO 14001 and energy management standard DIN EN ISO 50001
- Quality assurance in accordance with REACH regulation (EC) No. 1907/2006 (Registration, Evaluation, Authorisation and Restriction of Chemicals)



EMAS validation
(Eco Management
And Audit Scheme)



Bend in the Saar close to the headquarters of Villeroy & Boch AG in Mettlach

VILLEROY&BOCH: INNOVATIONS

INNOVATIONS FOR UNIQUE QUALITY

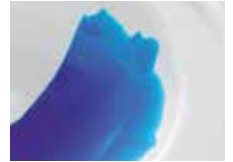
Villeroy & Boch product development focuses on sophisticated designs with outstanding product properties. In the kitchen in particular, stability and hygiene are crucial. Two Villeroy & Boch innovations offer clear advantages:

TITANCERAM

Villeroy & Boch's answer to the question of future materials is to fuse selected natural raw materials such as feldspar, quartz, clay and titaniumdioxidetocreatetheinnovativeTitanCeram. For the first time, this material permits the manufacture of products with a unique, precise design and very thin walls, sharply defined edges and all the advantages of first-class ceramics.

CERAMICPLUS

The CeramicPlus finish ensures optimum hygiene and fresh cleanliness on kitchen surfaces: liquids form beads which simply roll down the drain. Dirt and limescale are virtually unable to gain a hold. So cleaning is quick and easy without the use of any agents that are harmful to the environment.



Conventional ceramics



CeramicPlus finish






Ceramics from master craftsmen

CERAMIC SINKS: THE RANGE

Built-in sinks

80 cm Size of undercabinet



-  Bowl on the right
-  Bowl on the left
-  Bowl reversible

ARCHITECTURA 80

116 x 51 cm 
 Ref. 3380
 (Page 14)

SUBWAY 80

116 x 51 cm 
 Ref. 6726
 (Page 15)

Built-in and undercounter sinks

60 cm Size of undercabinet



ARCHITECTURA 60

100 x 51 cm 
 Ref. 3360
 (Page 16)

ARCHITECTURA 60 XR

100 x 51 cm 
 Ref. 3365
 (Page 17)


CONDOR 60

100 x 51 cm 
 Ref. 6759
 (Page 18)

FLAVIA 60

101 x 51 cm 
 Ref. 3304
 (Page 19)

SILUET 60

100 x 51 cm 
 Ref. 3336
 (Page 20)






SILUET 60 R

100 x 51 cm 
 Ref. 3337
 (Page 21)

SILUET 60 S NEW

60 x 51 cm
 Ref. 3346
 (Page 22)




SUBWAY 60

100 x 51 cm 
 Ref. 6712 
 Ref. 6770 
 (Page 23)

SUBWAY 60 S

60 x 51 cm
 Ref. 3309
 (Page 24)

SUBWAY 60 XL

100 x 51 cm 
 Ref. 6719 
 Ref. 6718 
 (Page 25)



SUBWAY 60 XM

62 x 51 cm 
 Ref. 6780
 (Page 26)

TIMELINE 60

100 x 51 cm 
 Ref. 6790
 (Page 27)

CISTERNA 60B

54,5 x 44 cm
 for undercounter
 with strainer basin
 Ref. 6702
 (Page 43)

CISTERNA 60C

55 x 44 cm
 for undercounter
 Ref. 6706
 (Page 44)

SUBWAY 60 SU

54,5 x 44 cm
 for undercounter
 Ref. 3310
 (Page 48)



SUBWAY 60 XU

54,5 x 44 cm
 for undercounter
 Ref. 6758
 (Page 49)

CERAMIC SINKS: THE RANGE

Built-in and undercounter sinks

50 cm Size of undercabinet



ARCHITETTURA 50

86 x 51 cm
Ref. 3350
(Page 28)



CONDOR 50

86 x 51 cm
Ref. 6732
(Page 29)



FLAVIA 50

90 x 51 cm
Ref. 3305
(Page 30)



SILUET 50

90 x 51 cm
Ref. 3335
(Page 31)



SILUET 50 S

51 x 51 cm
Ref. 3345
(Page 32)

NEW



SUBWAY 50

91,5 x 51 cm
Ref. 6713
Ref. 6773
(Page 33)



SUBWAY 50 S

52,5 x 51 cm
Ref. 3315
(Page 34)



TIMELINE 50

90 x 51 cm
Ref. 3307
(Page 35)



CISTERNA 50

44,5 x 44,5 cm
for undercounter
Ref. 6703
(Page 45)



SUBWAY 50 SU

44 x 44 cm
for undercounter
Ref. 3325
(Page 50)

Built-in and undercounter sinks

45 cm/26 cm Size of undercabinet



CONDOR 45

80 x 51 cm
Ref. 6745
(Page 36)



FLAVIA 45

80 x 51 cm
Ref. 3306
(Page 37)



SILUET 45

80 x 51 cm
Ref. 3334
(Page 48)



SUBWAY 45 COMPACT

65 x 51 cm
Ref. 3313
Ref. 3312
(Page 49)



SUBWAY 45

78 x 51 cm
Ref. 6714
Ref. 6772
(Page 40)



SUBWAY 45 XS

47,5 x 51 cm
Ref. 6781
(Page 41)



TIMELINE 45

80 x 51 cm
Ref. 6791
(Page 42)



CISTERNA 45

37 x 43,5 cm
for undercounter
Ref. 6704
(Page 46)



SUBWAY 45 SU

37,5 x 44 cm
for undercounter
Ref. 3324
(Page 51)



CISTERNA 26

26 x 44 cm
for undercounter
Ref. 6707
(Page 47)

CERAMIC SINKS: THE RANGE

Flush-mounted sinks

60 cm Size of undercabinet



SILUET 60 FLAT

98 x 49 cm
Ref. 3336
(Page 52)



SILUET 60 R FLAT

98 x 49 cm
Ref. 3337
(Page 53)



SILUET 60 S FLAT

58 x 49 cm
Ref. 3346
(Page 54)

NEW



SUBWAY 60 FLAT

96,5 x 47,5 cm
Ref. 6712
Ref. 6770
(Page 55)



SUBWAY 60 S FLAT

56,5 x 47,5 cm
Ref. 3309
(Page 56)



SUBWAY 60 XL FLAT

96,5 x 47,5 cm
Ref. 6719
Ref. 6718
(Page 57)



SUBWAY 60 XM FLAT

58,5 x 47,5 cm
Ref. 6780
(Page 58)



TIMELINE 60 FLAT

96,5 x 47,5 cm
Ref. 6790
(Page 59)



Flush-mounted sinks

50 Size of undercabinet



SILUET 50 FLAT

88 x 49 cm
Ref. 3335
(Page 60)



SILUET 50 S FLAT

49 x 49 cm
Ref. 3345
(Page 61)

NEW



SUBWAY 50 FLAT

88 x 47,5 cm
Ref. 6713
Ref. 6773
(Page 62)



SUBWAY 50 S FLAT

49 x 47,5 cm
Ref. 3315
(Page 63)



TIMELINE 50 FLAT

86,5 x 47,5 cm
Ref. 3307
(Page 64)



Flush-mounted sinks

45 Size of undercabinet



SILUET 45 FLAT

78 x 49 cm
Ref. 3334
(Page 65)



SUBWAY 45 FLAT

74,5 x 47,5 cm
Ref. 6714
Ref. 6772
(Page 66)



SUBWAY 45 XS FLAT

44 x 47,5 cm
Ref. 6781
(Page 67)



TIMELINE 45 FLAT

76,5 x 47,5 cm
Ref. 6791
(Page 68)



CERAMIC SINKS: THE RANGE

Modules

90 cm Side length



MONUMENTUM

89,6 x 89,6 cm

For corner undersink cabinet diagonal
45° with side length: 90 cm

Ref. 3303

(Page 69)

90 cm Size of undercabinet



DOUBLE-BOWL SINK

89,5 x 63 x 22 cm

Ref. 6323

(Page 70)

60 cm Size of undercabinet



SINGLE-BOWL SINK

59,5 x 63 x 22 cm

Ref. 6320

(Page 71)

90 cm Size of undercabinet



FARMHOUSE 90 X

90 x 55 x 22 cm

Ref. 6390

(Page 72)

80 cm Size of undercabinet



FARMHOUSE 80 X

79,5 x 50 x 22 cm

Ref. 6380

(Page 73)

60 cm Size of undercabinet



FARMHOUSE 60 X

59,5 x 50 x 20 cm

Ref. 6360

(Page 74)

Corner Sinks

90 cm Corner undersink cabinet side length



ARENA CORNER

97,5 x 62,5 cm

Only for corner installation

Size of undercabinet: 90 cm

Ref. 6729

(Page 75)



SOLO CORNER

107,5 x 60 cm

Only for corner installation

Size of undercabinet: 90 cm

Ref. 6708

(Page 76)

ARCHITECTURA 80

BUILT-IN SINKS



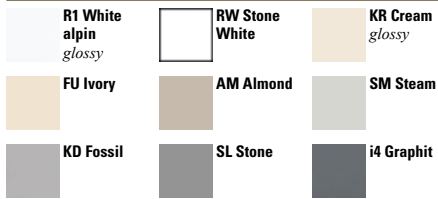
- **The sink is reversible**
- For surface-mounted installation
- Minimum width of undersink cabinet: 80 cm
- 2 basins, closable
- Further selection of cover caps for double turn lever on page 95
- Compatible with all soap dispensers on page 91



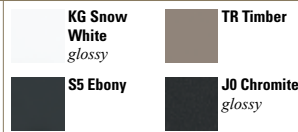
€ excl. VAT

Ref.	Description (for XX, please enter colour number)	Classicline	Premiumline
3380 01 XX	Sink inclusive Waste system, basket strainer	1.035,00	1.161,00
3380 02 XX	Sink inclusive Waste system, pop-up	1.113,00	1.239,00

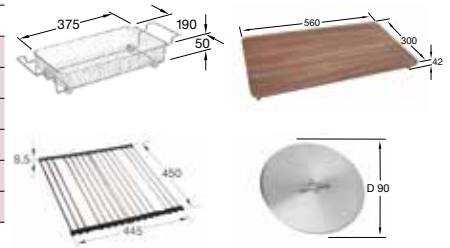
Classicline CeramicPlus



Premiumline CeramicPlus

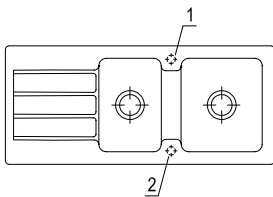


Ref.	Optional accessories / spare parts	
9K08 00 K1	Rolling mat, stainless steel	114,-
8K36 10 00	Universal Salad basket, stainless steel	172,-
9624 15 LC	Cap waste cover, stainless steel, you will find more colours on page 93	35,-
8345 47 K1	Inset strainer, stainless steel	126,-
8223 00 61	Waste system, basket strainer, chrome	114,-
8226 10 00	Waste system, pop-up without Cover cap	192,-



View of holes for tap fittings

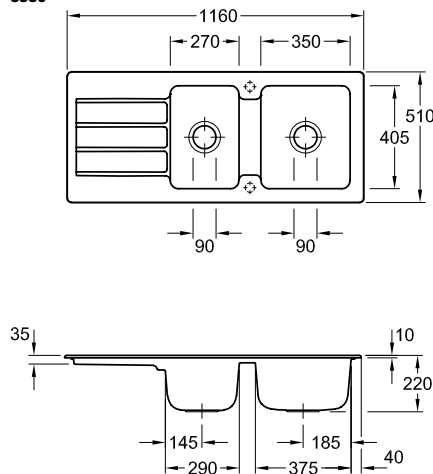
3380



When ordering, please specify the tap hole you would like us to drill for you, by using tap hole reference number (see page 2).
Diameter: ca. 35 mm
Additional charge: 9,00 €/model.

Engineering data

3380



Please refer to the assembly instructions
Required size of worktop : 113 x 48 cm

All dimensions in mm

SUBWAY 80



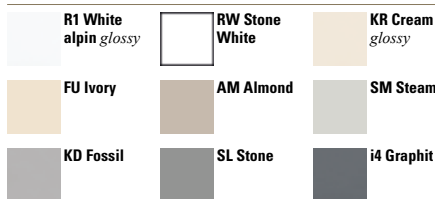
- **The sink is reversible**
- For surface-mounted installation
- Minimum width of undersink cabinet: 80 cm
- 2 basins, closable
- Registered design
- Further selection of cover caps for double turn lever on page 95
- Compatible with all soap dispensers on page 91



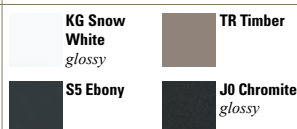
BUILT-IN SINKS

Ref.	Description (for XX, please enter colour number)	€ excl. VAT	
		Classicline	Premiumline
6726 01 XX	Sink inclusive Waste system, basket strainer	1.334,00	1.505,00
6726 02 XX	Sink inclusive Waste system, pop-up	1.412,00	1.583,00

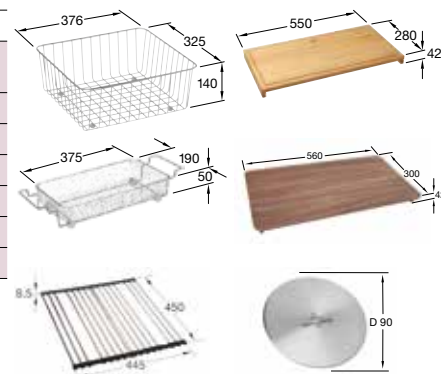
Classicline CeramicPlus



Premiumline CeramicPlus

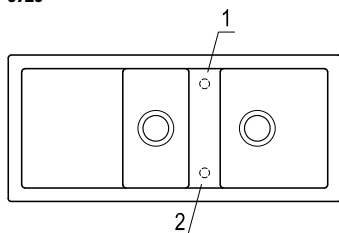


Ref.	Optional accessories / spare parts	
8K07 10 00	Accessory set: a universal cutting board made of beech and a stainless steel salad basket	141,-
9K08 00 K1	Rolling mat, stainless steel	114,-
8K36 10 00	Universal Salad basket, stainless steel	172,-
9624 15 LC	Cap waste cover, stainless steel, you will find more colours on page 93	35,-
8345 47 K1	Inset strainer, stainless steel	126,-
8223 00 61	Waste system, basket strainer, chrome	114,-
8226 10 00	Waste system, pop-up without Cover cap	192,-



View of holes for tap fittings

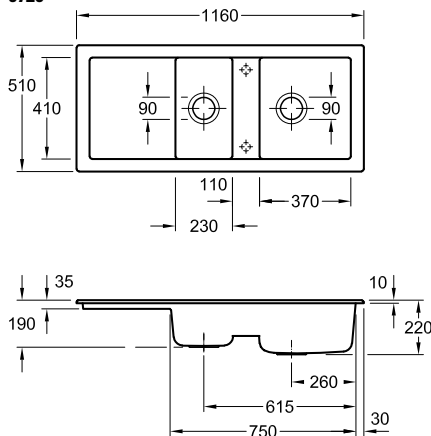
6726



When ordering, please specify the tap hole you would like us to drill for you, by using tap hole reference number (see page 2).
Diameter: ca. 35 mm
Additional charge: 9,00 €/model.

Engineering data

6726



Please refer to the assembly instructions
Required size of worktop : 113 x 48 cm

All dimensions in mm

ARCHITECTURA 60

BUILT-IN SINKS



- **The sink is reversible**
- For surface-mounted installation
- Minimum width of undersink cabinet: 60 cm
- Further selection of cover caps for turn lever on page 95
- Compatible with all soap dispensers on page 91



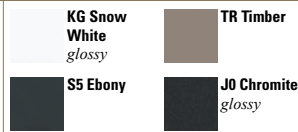
€ excl. VAT

Ref.	Description (for XX, please enter colour number)	Classicline	Premiumline
3360 01 XX	Sink inclusive Waste system, basket strainer	746,00	836,00
3360 02 XX	Sink inclusive Waste system, pop-up	840,00	930,00

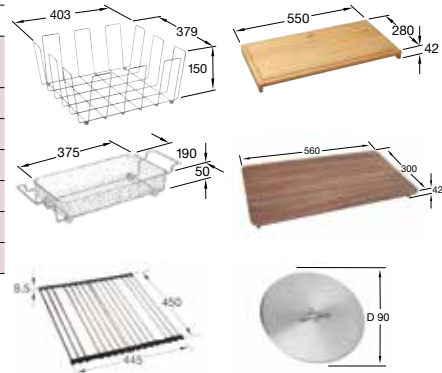
Classicline CeramicPlus



Premiumline CeramicPlus

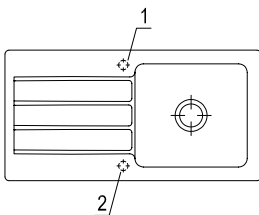


Ref.	Optional accessories / spare parts	
8K14 00 00	Accessory set: a universal cutting board made of beech and a stainless steel salad basket	141,-
9K08 00 K1	Rolling mat, stainless steel	114,-
8K36 10 00	Universal Salad basket, stainless steel	172,-
9624 15 LC	Cap waste cover, stainless steel, you will find more colours on page 93	35,-
8345 47 K1	Inset strainer, stainless steel	126,-
8276 00 61	Waste system, basket strainer, chrome	66,-
8286 10 00	Waste system, pop-up without Cover cap	160,-



View of holes for tap fittings

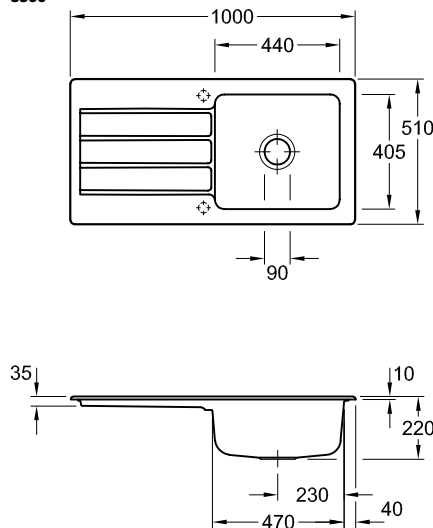
3360



When ordering, please specify the tap hole you would like us to drill for you, by using tap hole reference number (see page 2).
Diameter: ca. 35 mm
Additional charge: 9,00 €/model.

Engineering data

3360



Please refer to the assembly instructions
Required size of worktop : 97 x 48 cm

All dimensions in mm

ARCHITECTURA 60 XR



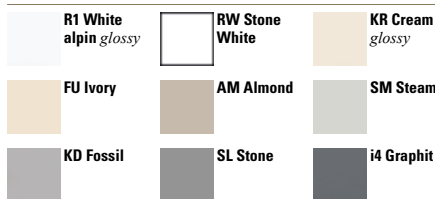
- **The sink is reversible**
- For surface-mounted installation
- Minimum width of undersink cabinet: 60 cm
- 2 basins, closable
- Steamer container 1/3 compatible with salad basket
- Further selection of cover caps for double turn lever on page 95
- Compatible with all soap dispensers on page 91



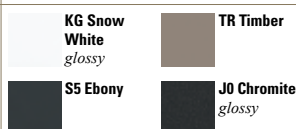
BUILT-IN SINKS

Ref.	Description (for XX, please enter colour number)	€ excl. VAT	
		Classicline	Premiumline
3365 01 XX	Sink inclusive Waste system, basket strainer	761,00	846,00
3365 02 XX	Sink inclusive Waste system, pop-up	839,00	924,00

Classicline CeramicPlus



Premiumline CeramicPlus

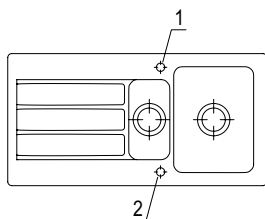


Ref.	Optional accessories / spare parts	
8K30 10 00	Accessory set: a universal cutting board made of beech and a stainless steel salad basket	141,-
9K08 00 K1	Rolling mat, stainless steel	114,-
8K36 10 00	Universal Salad basket, stainless steel	172,-
8299 06 K1	Steamer container 1/3, stainless steel	47,-
9624 15 LC	Cap waste cover, stainless steel, you will find more colours on page 93	35,-
8345 47 K1	Inset strainer, stainless steel	126,-
8223 00 61	Waste system, basket strainer, chrome	114,-
8226 10 00	Waste system, pop-up without Cover cap	192,-



View of holes for tap fittings

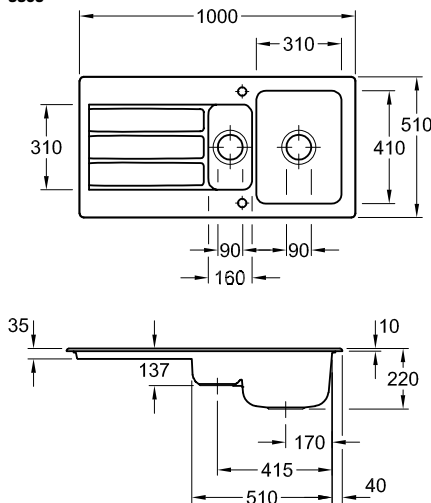
3365



When ordering, please specify the tap hole you would like us to drill for you, by using tap hole reference number (see page 2).
Diameter: ca. 35 mm
Additional charge: 9,00 €/model.

Engineering data

3365



Please refer to the assembly instructions
Required size of worktop : 97 x 48 cm

All dimensions in mm

CONDOR 60

BUILT-IN SINKS



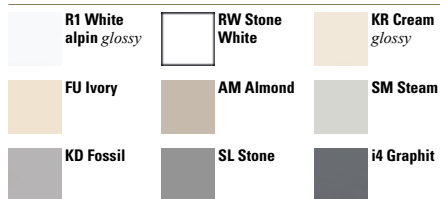
- **The sink is reversible**
- For surface-mounted installation
- Minimum width of undersink cabinet: 60 cm
- Registered design
- Compatible with all soap dispensers on page 91
- Further selection of cover caps for turn lever on page 95



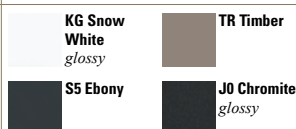
€ excl. VAT

Ref.	Description (for XX, please enter colour number)	Classicline	Premiumline
6759 01 XX	Sink inclusive Strainer bowl, Angular and Waste system, Round basket strainer	1.047,00	1.171,00
6759 02 XX	Sink inclusive Strainer bowl, Angular and Waste system, Round pop-up	1.122,00	1.246,00

Classicline CeramicPlus



Premiumline CeramicPlus

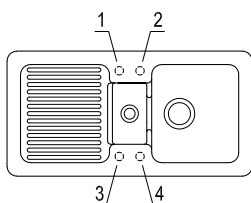


Ref.	Optional accessories / spare parts	
8K02 10 00	Accessory set: a universal cutting board made of beech and a stainless steel salad basket	141,-
9K08 00 K1	Rolling mat, stainless steel	114,-
8K36 10 00	Universal Salad basket, stainless steel	172,-
9624 15 LC	Cap waste cover, stainless steel, you will find more colours on page 93	35,-
8306 00 K2	Strainer bowl, Angular, transparent	52,-
8345 47 K1	Inset strainer, stainless steel	126,-
8214 00 61	Waste system, basket strainer, chrome	85,-
8215 10 00	Waste system, pop-up without Cover cap	160,-



View of holes for tap fittings

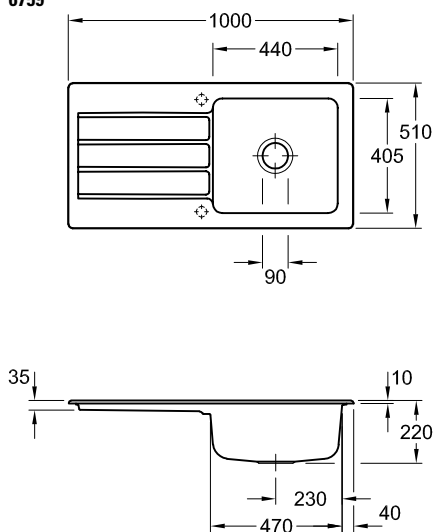
6759



When ordering, please specify the tap hole you would like us to drill for you, by using tap hole reference number (see page 2).
Diameter: ca. 35 mm
Additional charge: 9,00 €/model.

Engineering data

6759



Please refer to the assembly instructions
Required size of worktop : 97 x 47 cm

All dimensions in mm

FLAVIA 60



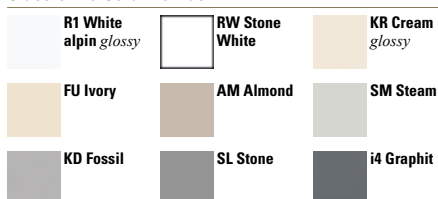
- **The sink is reversible**
- For surface-mounted installation
- Minimum width of undersink cabinet: 60 cm
- Compatible with all soap dispensers on page 91
- Further selection of cover caps for turn lever on page 95



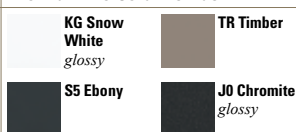
€ excl. VAT

Ref.	Description (for XX, please enter colour number)	Classicline	Premiumline
3304 01 XX	Sink inclusive Waste system, basket strainer	1.056,00	1.189,00
3304 02 XX	Sink inclusive Waste system, pop-up	1.131,00	1.264,00

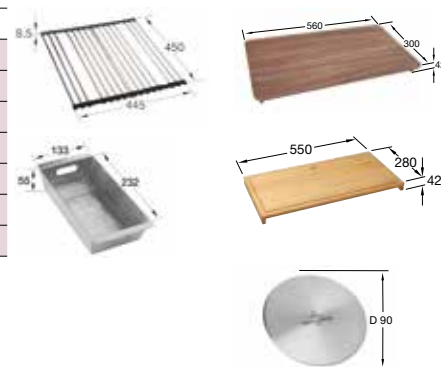
Classicline CeramicPlus



Premiumline CeramicPlus

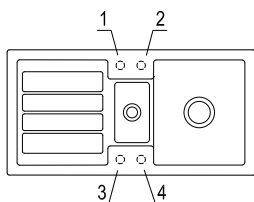


Ref.	Optional accessories / spare parts	
9K08 00 K1	Rolling mat, stainless steel	114,-
8K36 10 00	Universal Salad basket, stainless steel	172,-
8K00 10 00	Universal beechwood cutting board	121,-
9624 15 LC	Cap waste cover, stainless steel, you will find more colours on page 93	35,-
8K23 00 K1	Strainer bowl, stainless steel	120,-
8K92 00 61	Waste system, basket strainer, chrome	85,-
8K96 10 00	Waste system, pop-up without Cover cap	160,-



View of holes for tap fittings

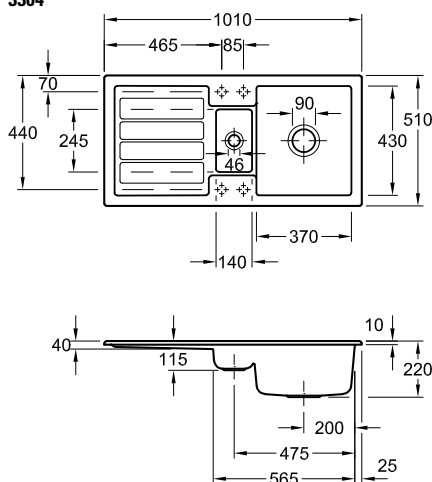
3304



When ordering, please specify the tap hole you would like us to drill for you, by using tap hole reference number (see page 2).
Diameter: ca. 35 mm
Additional charge: 9,00 €/model.

Engineering data

3304



Please refer to the assembly instructions
Required size of worktop : 98 x 48 cm

All dimensions in mm

SILUET 60

BUILT-IN SINKS



- **The sink is reversible**
- For surface-mounted installation
- Minimum width of undersink cabinet: 60 cm
- Steamer containers 1/3 and 2/3 compatible with salad basket
- **Material: TitanCeram**
- Compatible with all soap dispensers on page 91
- Further selection of cover caps for turn lever on page 95

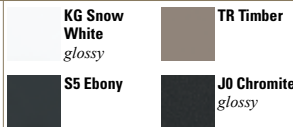


Ref.	Description (for XX, please enter colour number)	€ excl. VAT	
		Classicline	Premiumline
3336 01 XX	Sink inclusive Waste system, basket strainer	1.075,00	1.214,00
3336 02 XX	Sink inclusive Waste system, pop-up	1.169,00	1.308,00

Classicline CeramicPlus



Premiumline CeramicPlus

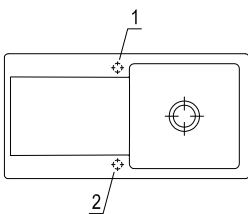


Ref.	Optional accessories / spare parts	
9K10 00 K1	Salad basket, stainless steel	214,-
9K08 00 K1	Rolling mat, stainless steel	114,-
8K36 10 00	Universal Salad basket, stainless steel	172,-
8299 06 K1	Steamer container 1/3, stainless steel	47,-
8299 05 K1	Steamer container 2/3, stainless steel	66,-
9624 15 LC	Cap waste cover, stainless steel, you will find more colours on page 93	35,-
8276 00 61	Waste system, basket strainer, chrome	66,-
8286 10 00	Waste system, pop-up without Cover cap	160,-



View of holes for tap fittings

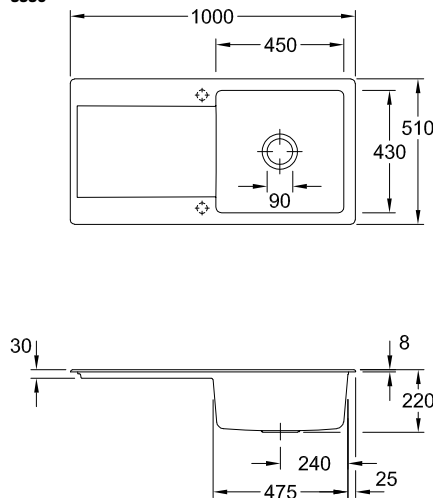
3336



When ordering, please specify the tap hole you would like us to drill for you, by using tap hole reference number (see page 2).
Diameter: ca. 35 mm
Additional charge: 9,00 €/model.

Engineering data

3336



Please refer to the assembly instructions
Required size of worktop : 97 x 48 cm

All dimensions in mm

SILUET 60 R



- **The sink is reversible**
- For surface-mounted installation
- Minimum width of undersink cabinet: 60 cm
- Compatible with steamer container 1/3
- **Material: TitanCeram**
- Compatible with all soap dispensers on page 91
- Further selection of cover caps for turn lever on page 95

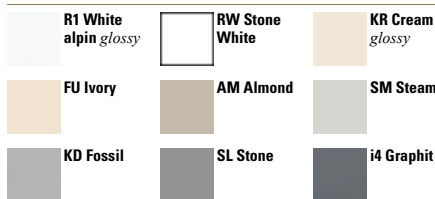


BUILT-IN SINKS

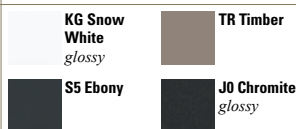
€ excl. VAT

Ref.	Description (for XX, please enter colour number)	Classicline	Premiumline
3337 01 XX	Sink inclusive Waste system, basket strainer	1.188,00	1.341,00
3337 02 XX	Sink inclusive Waste system, pop-up	1.263,00	1.416,00

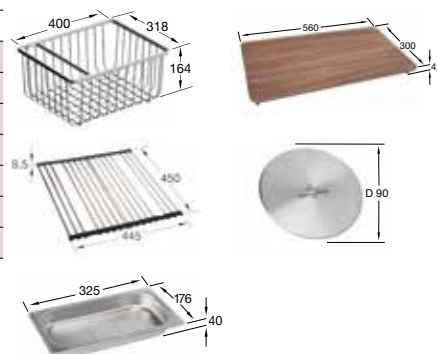
Classicline CeramicPlus



Premiumline CeramicPlus

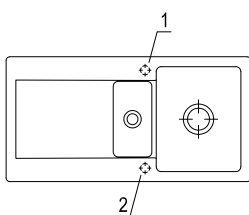


Ref.	Optional accessories / spare parts	
9K11 00 K1	Salad basket, stainless steel	203,-
9K08 00 K1	Rolling mat, stainless steel	114,-
8K36 10 00	Universal Salad basket, stainless steel	172,-
8299 06 K1	Steamer container 1/3, stainless steel	47,-
9624 15 LC	Cap waste cover, stainless steel, you will find more colours on page 93	35,-
8K92 00 61	Waste system, basket strainer, chrome	85,-
8K96 10 00	Waste system, pop-up without Cover cap	160,-



View of holes for tap fittings

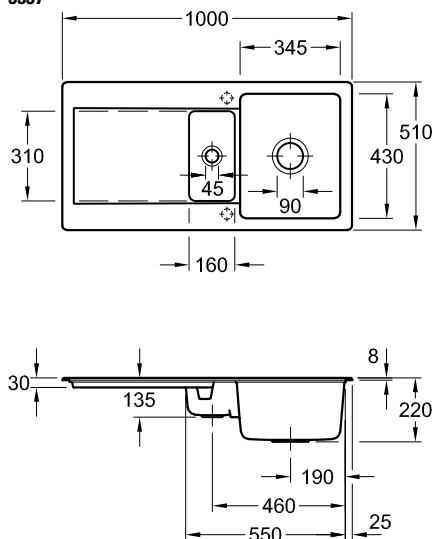
3337



When ordering, please specify the tap hole you would like us to drill for you, by using tap hole reference number (see page 2).
Diameter: ca. 35 mm
Additional charge: 9,00 €/model.

Engineering data

3337



Please refer to the assembly instructions
Required size of worktop : 97 x 48 cm

All dimensions in mm

SILUET 60 S

NEW

BUILT-IN SINKS



- For surface-mounted installation
- Minimum width of undersink cabinet: 60 cm
- **Material: TitanCeram**
- Compatible with all soap dispensers on page 91
- Further selection of cover caps for turn lever on page 95

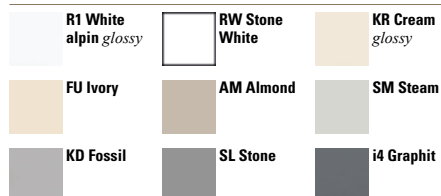
Ceramic Plus
Villeroy & Boch

Titan Ceram
Villeroy & Boch

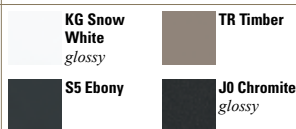
€ excl. VAT

Ref.	Description (for XX, please enter colour number)	Classicline	Premiumline
3346 01 XX	Sink inclusive Waste system basket strainer	936,00	1.049,00
3346 02 XX	Sink inclusive Waste system, pop-up	987,00	1.100,00

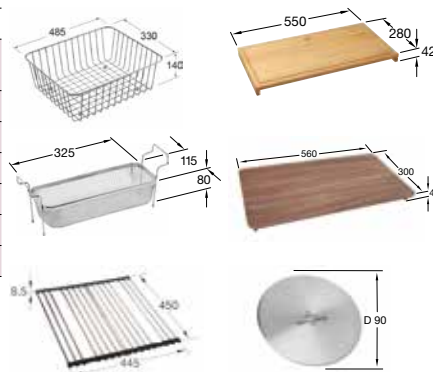
Classicline CeramicPlus



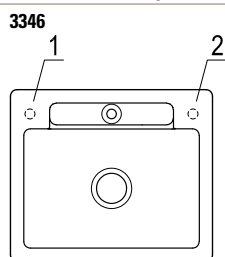
Premiumline CeramicPlus



Ref.	Optional accessories / spare parts	
8K09 10 00	Accessory set: a universal cutting board made of beech and a stainless steel salad basket	141,-
9K08 00 K1	Rolling mat, stainless steel	114,-
8K36 10 00	Universal Salad basket, stainless steel	172,-
9624 15 LC	Cap waste cover, stainless steel, you will find more colours on page 93	35,-
9K04 00 K1	Inset strainer, stainless steel	64,-
8K94 00 61	Waste system basket strainer, chrome	105,-
8K82 10 00	Waste system, pop-up without Cover cap	156,-

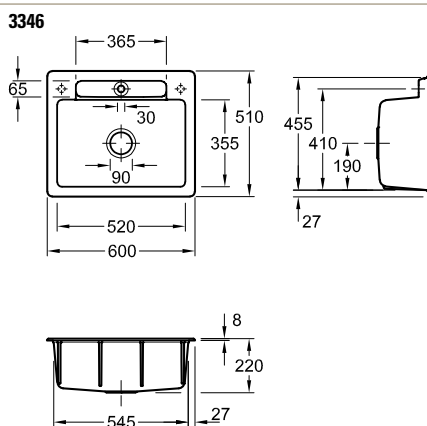


View of holes for tap fittings



When ordering, please specify the tap hole you would like us to drill for you, by using tap hole reference number (see page 2).
Diameter: ca. 35 mm
Additional charge: 9,00 €/model.

Engineering data



Please refer to the assembly instructions
Required size of worktop : 57 x 48 cm

All dimensions in mm

SUBWAY 60



- Available with bowl on the right or left-hand side
- For surface-mounted installation
- Minimum width of undersink cabinet: 60 cm
- Registered design
- Compatible with all soap dispensers on page 91
- Further selection of cover caps for turn lever on page 95

Ceramic Plus
Villeroy & Boch

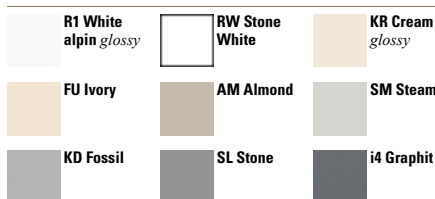


BUILT-IN SINKS

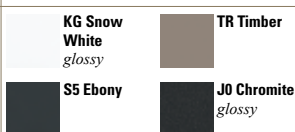
€ excl. VAT

Ref.	Description (for XX, please enter colour number)	Classicline	Premiumline	Trendline
6712 01 XX	Sink bowl right inclusive Waste system, basket strainer	985,00	1.108,00	1.189,00
6770 01 XX	Sink bowl left inclusive Waste system, basket strainer	985,00	1.108,00	1.189,00
6712 02 XX	Sink bowl right inclusive Waste system, pop-up	1.060,00	1.183,00	1.264,00
6770 02 XX	Sink bowl left inclusive Waste system, pop-up	1.060,00	1.183,00	1.264,00

Classicline CeramicPlus



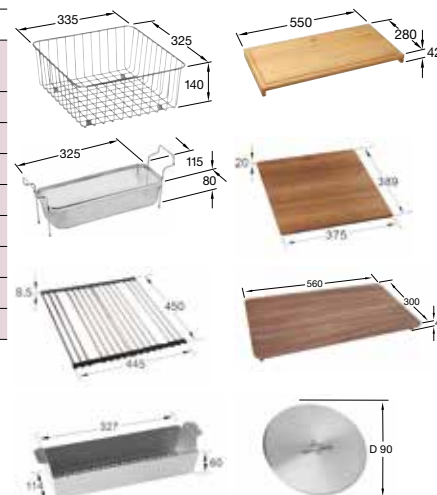
Premiumline CeramicPlus



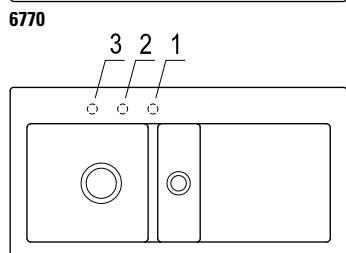
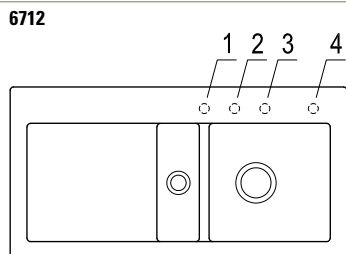
Trendline CeramicPlus



Ref.	Optional accessories / spare parts	
8K04 10 00	Accessory set: a universal cutting board made of beech and a stainless steel salad basket	141,-
9K08 00 K1	Rolling mat, stainless steel	114,-
8K33 10 00	Cutting board walnut	149,-
8K36 10 00	Universal Salad basket, stainless steel	172,-
9624 15 LC	Cap waste cover, stainless steel, you will find more colours on page 93	35,-
8K34 00 K1	Strainer bowl, stainless steel	120,-
9K04 00 K1	Inset strainer, stainless steel	64,-
8214 00 61	Waste system, basket strainer, chrome	85,-
8215 10 00	Waste system, pop-up without Cover cap	160,-



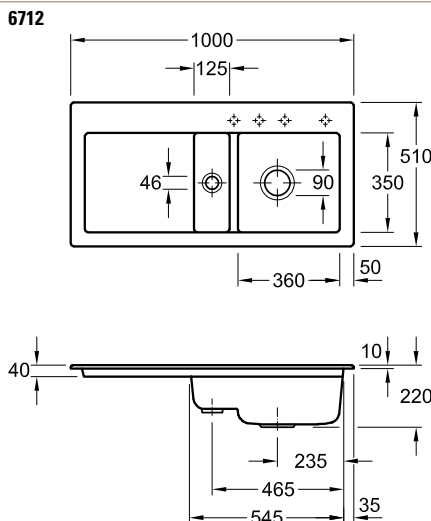
View of holes for tap fittings



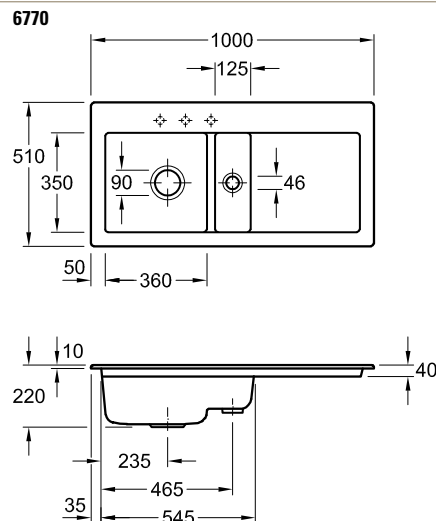
When ordering, please specify the tap hole you would like us to drill for you, by using tap hole reference number (see page 2).

Diameter: ca. 35 mm
Additional charge: 9,00 €/model.

Engineering data



Please refer to the assembly instructions
Required size of worktop : 97 x 48 cm



All dimensions in mm

SUBWAY 60 S

BUILT-IN SINKS



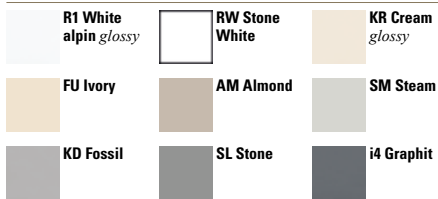
- For surface-mounted installation
- Minimum width of undersink cabinet: 60 cm
- Registered design
- Compatible with all soap dispensers on page 91
- Further selection of cover caps for turn lever on page 95



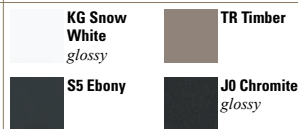
€ excl. VAT

Ref.	Description (for XX, please enter colour number)	Classicline	Premiumline
3309 01 XX	Sink inclusive Waste system, basket strainer	842,00	946,00
3309 02 XX	Sink inclusive Waste system, pop-up	936,00	1.040,00

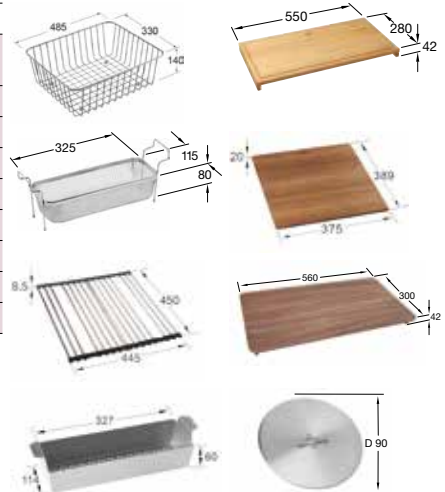
Classicline CeramicPlus



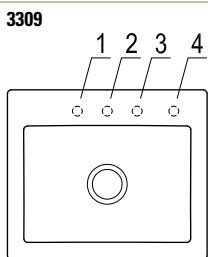
Premiumline CeramicPlus



Ref.	Optional accessories / spare parts	
8K09 10 00	Accessory set: a universal cutting board made of beech and a stainless steel salad basket	141,-
9K08 00 K1	Rolling mat, stainless steel	114,-
8K33 10 00	Cutting board walnut	149,-
8K36 10 00	Universal Salad basket, stainless steel	172,-
9624 15 LC	Cap waste cover, stainless steel, you will find more colours on page 93	35,-
8K34 00 K1	Strainer bowl, stainless steel	120,-
9K04 00 K1	Inset strainer, stainless steel	64,-
8276 00 61	Waste system, basket strainer, chrome	66,-
8286 10 00	Waste system, pop-up without Cover cap	160,-

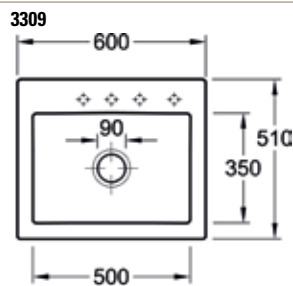


View of holes for tap fittings



When ordering, please specify the tap hole you would like us to drill for you, by using tap hole reference number (see page 2).
Diameter: ca. 35 mm
Additional charge: 9,00 €/model.

Engineering data



Please refer to the assembly instructions
Required size of worktop : 57 x 48 cm

All dimensions in mm

SUBWAY 60 XL



- Available with bowl on the right or left-hand side
- For surface-mounted installation
- Minimum width of undersink cabinet: 60 cm
- Registered design
- Compatible with all soap dispensers on page 91
- Further selection of cover caps for turn lever on page 95

Ceramic Plus
Villeroy & Boch

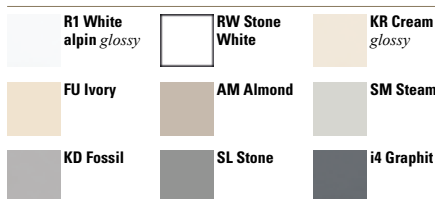


BUILT-IN SINKS

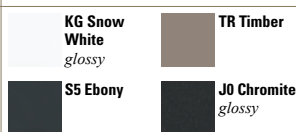
€ excl. VAT

Ref.	Description (for XX, please enter colour number)	Classicline	Premiumline	Trendline
6719 01 XX	Sink bowl right inclusive Waste system, basket strainer	952,00	1.073,00	1.153,00
6718 01 XX	Sink bowl left inclusive Waste system, basket strainer	952,00	1.073,00	1.153,00
6719 02 XX	Sink bowl right inclusive Waste system, pop-up	1.046,00	1.167,00	1.247,00
6718 02 XX	Sink bowl left inclusive Waste system, pop-up	1.046,00	1.167,00	1.247,00

Classicline CeramicPlus



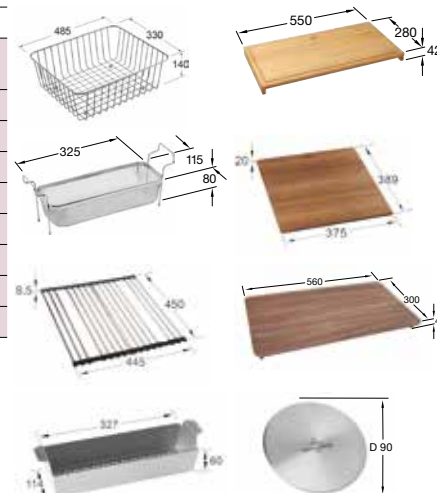
Premiumline CeramicPlus



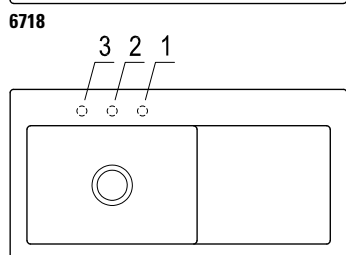
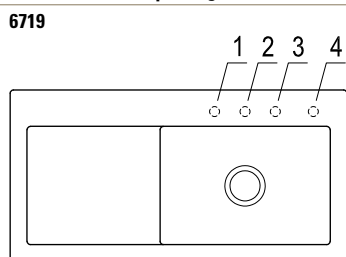
Trendline CeramicPlus



Ref.	Optional accessories / spare parts	
8K09 10 00	Accessory set: a universal cutting board made of beech and a stainless steel salad basket	141,-
9K08 00 K1	Rolling mat, stainless steel	114,-
8K33 10 00	Cutting board walnut	149,-
8K36 10 00	Universal Salad basket, stainless steel	172,-
9624 15 LC	Cap waste cover, stainless steel, you will find more colours on page 93	35,-
8K34 00 K1	Strainer bowl, stainless steel	120,-
9K04 00 K1	Inset strainer, stainless steel	64,-
8276 00 61	Waste system, basket strainer, chrome	66,-
8286 10 00	Waste system, pop-up without Cover cap	160,-



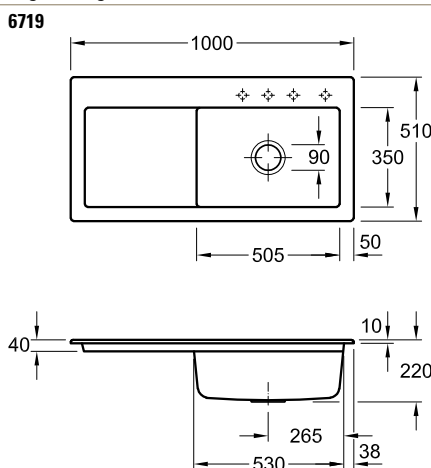
View of holes for tap fittings



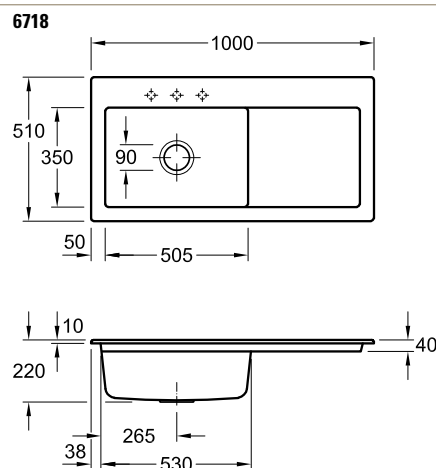
When ordering, please specify the tap hole you would like us to drill for you, by using tap hole reference number (see page 2).

Diameter: ca. 35 mm
Additional charge: 9,00 €/model.

Engineering data



Please refer to the assembly instructions
Required size of worktop : 97 x 48 cm



All dimensions in mm

SUBWAY 60 XM

BUILT-IN SINKS



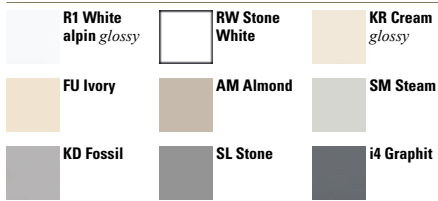
- For surface-mounted installation
- Minimum width of undersink cabinet: 60 cm
- Compatible with all soap dispensers on page 91
- Further selection of cover caps for turn lever on page 95



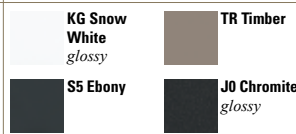
€ excl. VAT

Ref.	Description (for XX, please enter colour number)	Classicline	Premiumline
6780 01 XX	Sink inclusive Waste system, basket strainer	883,00	990,00
6780 02 XX	Sink inclusive Waste system, pop-up	958,00	1.065,00

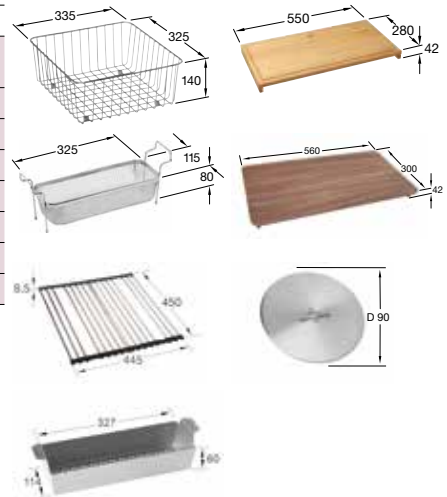
Classicline CeramicPlus



Premiumline CeramicPlus

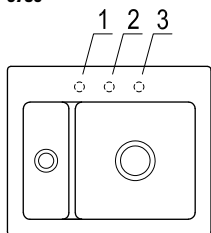


Ref.	Optional accessories / spare parts	
8K04 10 00	Accessory set: a universal cutting board made of beech and a stainless steel salad basket	141,-
9K08 00 K1	Rolling mat, stainless steel	114,-
8K36 10 00	Universal Salad basket, stainless steel	172,-
9624 15 LC	Cap waste cover, stainless steel, you will find more colours on page 93	35,-
8K34 00 K1	Strainer bowl, stainless steel	120,-
9K04 00 K1	Inset strainer, stainless steel	64,-
8214 00 61	Waste system, basket strainer, chrome	85,-
8215 10 00	Waste system, pop-up without Cover cap	160,-



View of holes for tap fittings

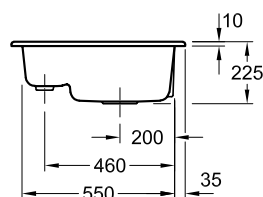
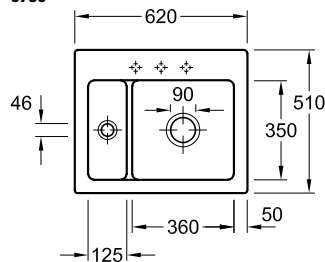
6780



When ordering, please specify the tap hole you would like us to drill for you, by using tap hole reference number (see page 2).
Diameter: ca. 35 mm
Additional charge: 9,00 €/model.

Engineering data

6780



Please refer to the assembly instructions
Required size of worktop : 59 x 48 cm

All dimensions in mm

TIMELINE 60



- **The sink is reversible**
- For surface-mounted installation
- Minimum width of undersink cabinet: 60 cm
- Compatible with all soap dispensers on page 91
- Further selection of cover caps for turn lever on page 95

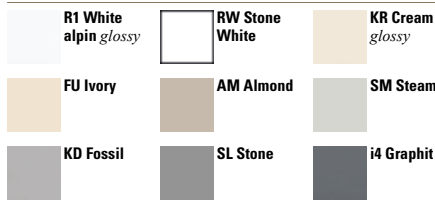


BUILT-IN SINKS

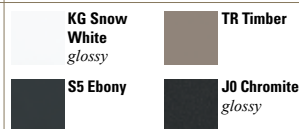
€ excl. VAT

Ref.	Description (for XX, please enter colour number)	Classicline	Premiumline	Trendline
6790 01 XX	Sink inclusive Waste system, basket strainer	1.022,00	1.153,00	1.240,00
6790 02 XX	Sink inclusive Waste system, pop-up	1.116,00	1.247,00	1.334,00

Classicline CeramicPlus



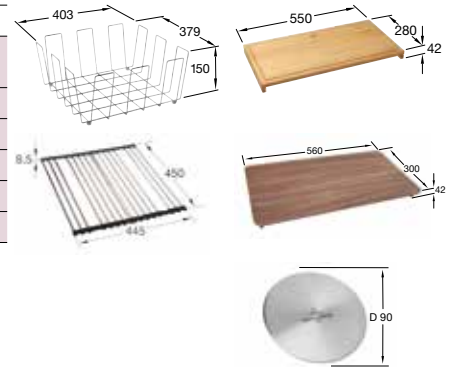
Premiumline CeramicPlus



Trendline CeramicPlus

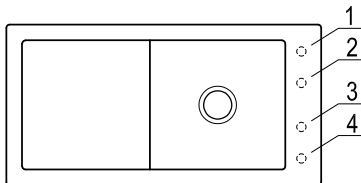


Ref.	Optional accessories / spare parts	
8K14 00 00	Accessory set: a universal cutting board made of beech and a stainless steel salad basket	141,-
9K08 00 K1	Rolling mat, stainless steel	114,-
8K36 10 00	Universal Salad basket, stainless steel	172,-
9624 15 LC	Cap waste cover, stainless steel, you will find more colours on page 93	35,-
8276 00 61	Waste system, basket strainer, chrome	66,-
8286 10 00	Waste system, pop-up without Cover cap	160,-



View of holes for tap fittings

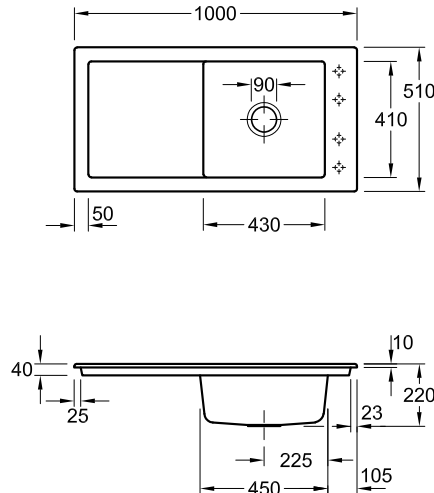
6790



When ordering, please specify the tap hole you would like us to drill for you, by using tap hole reference number (see page 2).
Diameter: ca. 35 mm
Additional charge: 9,00 €/model.

Engineering data

6790



Please refer to the assembly instructions
Required size of worktop : 97 x 48 cm

All dimensions in mm

ARCHITECTURA 50

BUILT-IN SINKS



- **The sink is reversible**
- For surface-mounted installation
- Minimum width of undersink cabinet: 50 cm
- Further selection of cover caps for turn lever on page 95

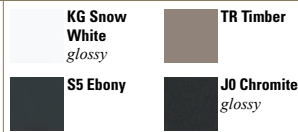


Ref.	Description (for XX, please enter colour number)	€ excl. VAT	
		Classicline	Premiumline
3350 01 XX	Sink inclusive Waste system, basket strainer	661,00	738,00
3350 02 XX	Sink inclusive Waste system, pop-up	755,00	832,00

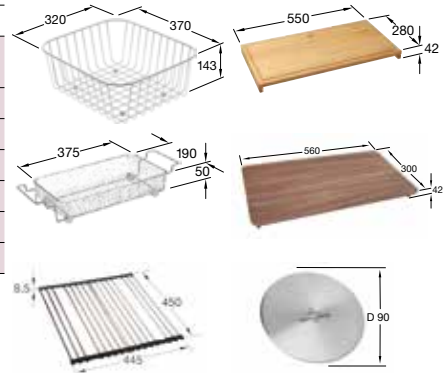
Classicline CeramicPlus



Premiumline CeramicPlus

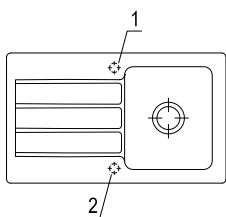


Ref.	Optional accessories / spare parts	
8K99 10 00	Accessory set: a universal cutting board made of beech and a stainless steel salad basket	141,-
9K08 00 K1	Rolling mat, stainless steel	114,-
8K36 10 00	Universal Salad basket, stainless steel	172,-
9624 15 LC	Cap waste cover, stainless steel, you will find more colours on page 93	35,-
8345 47 K1	Inset strainer, stainless steel	126,-
8276 00 61	Waste system, basket strainer, chrome	66,-
8286 10 00	Waste system, pop-up without Cover cap	160,-



View of holes for tap fittings

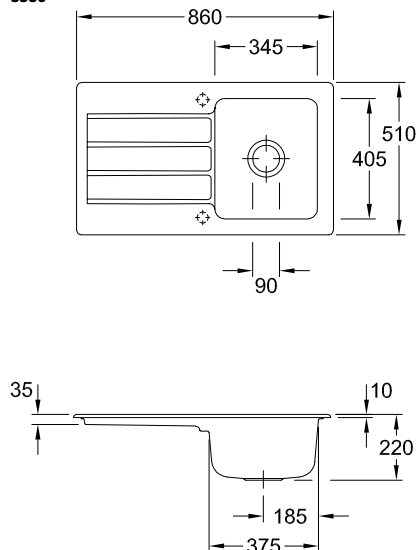
3350



When ordering, please specify the tap hole you would like us to drill for you, by using tap hole reference number (see page 2).
Diameter: ca. 35 mm
Additional charge: 9,00 €/model.

Engineering data

3350



Required size of worktop : 83 x 48 cm

All dimensions in mm

CONDOR 50



- **The sink is reversible**
- For surface-mounted installation
- Minimum width of undersink cabinet: 50 cm
- Registered design
- Further selection of cover caps for turn lever on page 95
- Compatible with all soap dispensers on page 91

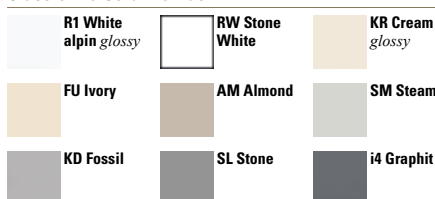


BUILT-IN SINKS

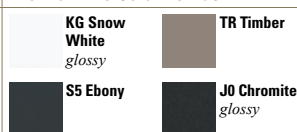
€ excl. VAT

Ref.	Description (for XX, please enter colour number)	Classicline	Premiumline
6732 01 XX	Sink inclusive Strainer bowl, Angular and Waste system, Round basket strainer	932,00	1.039,00
6732 02 XX	Sink inclusive Strainer bowl, Angular and Waste system, Round pop-up	1.007,00	1.114,00

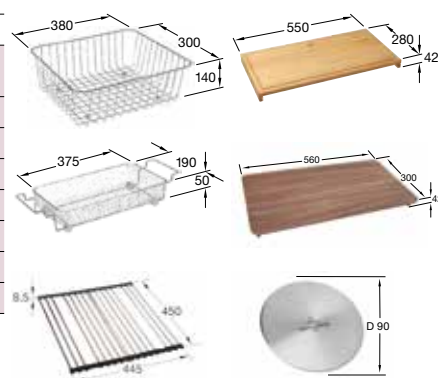
Classicline CeramicPlus



Premiumline CeramicPlus

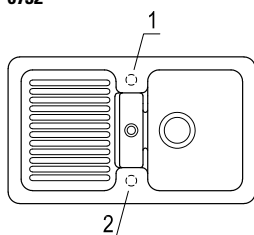


Ref.	Optional accessories / spare parts	
8K03 10 00	Accessory set: a universal cutting board made of beech and a stainless steel salad basket	141,-
9K08 00 K1	Rolling mat, stainless steel	114,-
8K36 10 00	Universal Salad basket, stainless steel	172,-
9624 15 LC	Cap waste cover, stainless steel, you will find more colours on page 93	35,-
8314 00 K2	Strainer bowl, Angular, transparent	52,-
8345 47 K1	Inset strainer, stainless steel	126,-
8244 00 61	Waste system, basket strainer, chrome	85,-
8245 10 00	Waste system, pop-up without Cover cap	160,-



View of holes for tap fittings

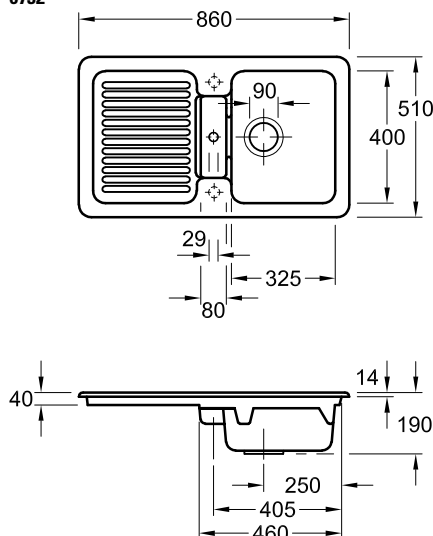
6732



When ordering, please specify the tap hole you would like us to drill for you, by using tap hole reference number (see page 2).
Diameter: ca. 35 mm
Additional charge: 9,00 €/model.

Engineering data

6732



Please refer to the assembly instructions
Required size of worktop : 82,5 x 47 cm

All dimensions in mm

FLAVIA 50

BUILT-IN SINKS



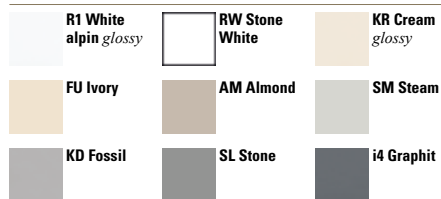
- **The sink is reversible**
- For surface-mounted installation
- Minimum width of undersink cabinet: 50 cm
- Further selection of cover caps for turn lever on page 95
- Compatible with all soap dispensers on page 91



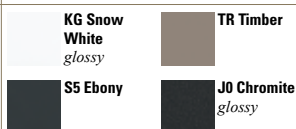
€ excl. VAT

Ref.	Description (for XX, please enter colour number)	Classicline	Premiumline
3305 01 XX	Sink inclusive Waste system, basket strainer	933,00	1.048,00
3305 02 XX	Sink inclusive Waste system, pop-up	1.008,00	1.123,00

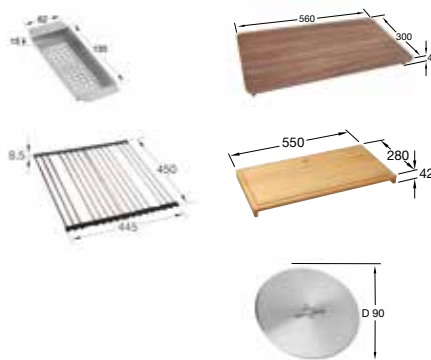
Classicline CeramicPlus



Premiumline CeramicPlus

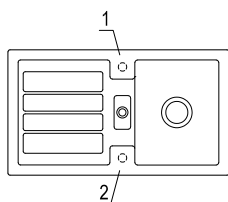


Ref.	Optional accessories / spare parts	
9K08 00 K1	Rolling mat, stainless steel	114,-
8K36 10 00	Universal Salad basket, stainless steel	172,-
8K00 10 00	Universal beechwood cutting board	121,-
9624 15 LC	Cap waste cover, stainless steel, you will find more colours on page 93	35,-
8K24 00 K1	Strainer bowl, stainless steel	98,-
8K93 00 61	Waste system, basket strainer, chrome	85,-
8K97 10 00	Waste system, pop-up without Cover cap	160,-



View of holes for tap fittings

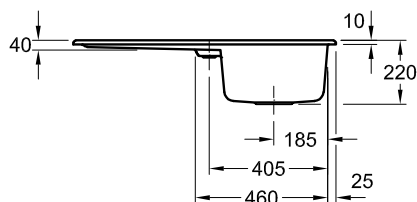
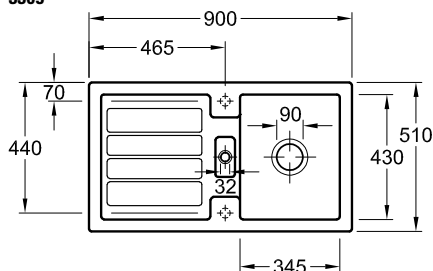
3305



When ordering, please specify the tap hole you would like us to drill for you, by using tap hole reference number (see page 2).
Diameter: ca. 35 mm
Additional charge: 9,00 €/model.

Engineering data

3305



Please refer to the assembly instructions
Required size of worktop : 87 x 48 cm

All dimensions in mm

SILUET 50



- **The sink is reversible**
- For surface-mounted installation
- Minimum width of undersink cabinet: 50 cm
- Steamer container 1/3 compatible with salad basket
- **Material: TitanCeram**
- Compatible with all soap dispensers on page 91
- Further selection of cover caps for turn lever on page 95

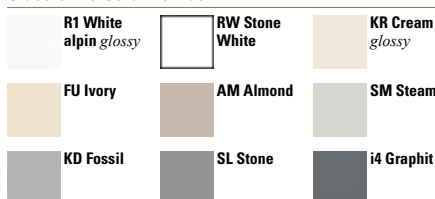


BUILT-IN SINKS

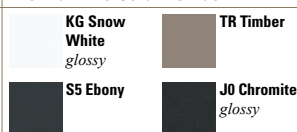
€ excl. VAT

Ref.	Description (for XX, please enter colour number)	Classicline	Premiumline
3335 01 XX	Sink inclusive Waste system, basket strainer	958,00	1.080,00
3335 02 XX	Sink inclusive Waste system, pop-up	1.052,00	1.174,00

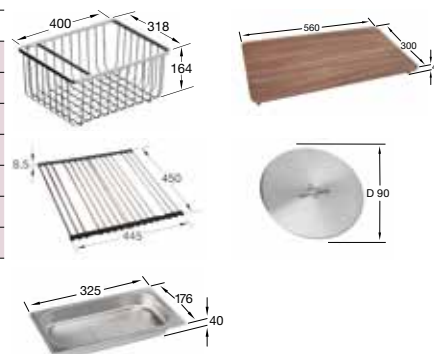
Classicline CeramicPlus



Premiumline CeramicPlus

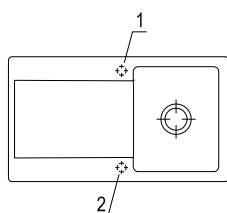


Ref.	Optional accessories / spare parts	
9K11 00 K1	Salad basket, stainless steel	203,-
9K08 00 K1	Rolling mat, stainless steel	114,-
8K36 10 00	Universal Salad basket, stainless steel	172,-
8299 06 K1	Steamer container 1/3, stainless steel	47,-
9624 15 LC	Cap waste cover, stainless steel, you will find more colours on page 93	35,-
8276 00 61	Waste system, basket strainer, chrome	66,-
8286 10 00	Waste system, pop-up without Cover cap	160,-



View of holes for tap fittings

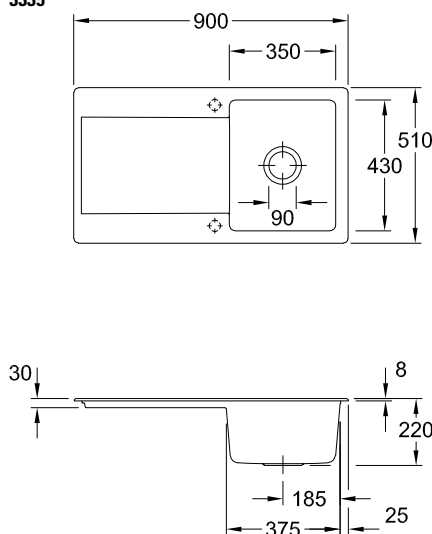
3335



When ordering, please specify the tap hole you would like us to drill for you, by using tap hole reference number (see page 2).
Diameter: ca. 35 mm
Additional charge: 9,00 €/model.

Engineering data

3335



Please refer to the assembly instructions
Required size of worktop : 87 x 48 cm

All dimensions in mm

SILUET 50 S

NEW

BUILT-IN SINKS



- For surface-mounted installation
- **Flexible installation of the sink: the strainer bowl can be positioned at the back or to either the right- or left-hand side**
- Minimum width of undersink cabinet: 50 cm
- **Material: TitanCeram**
- Compatible with all soap dispensers on page 91
- Further selection of cover caps for turn lever on page 95

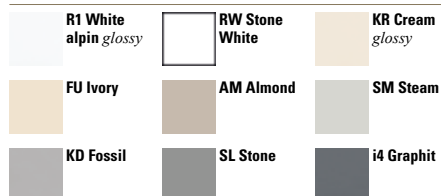
Ceramic Plus
Villeroy & Boch

Titan Ceram
Villeroy & Boch

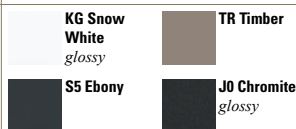
€ excl. VAT

Ref.	Description (for XX, please enter colour number)	Classicline	Premiumline
3345 01 XX	Sink inclusive Waste system basket strainer	829,00	926,00
3345 02 XX	Sink inclusive Waste system, pop-up	880,00	977,00

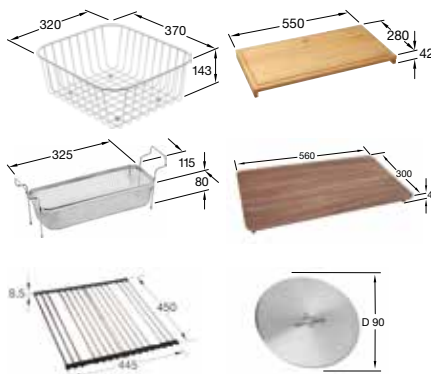
Classicline CeramicPlus



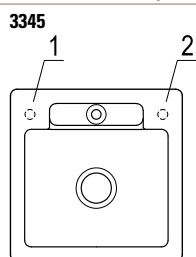
Premiumline CeramicPlus



Ref.	Optional accessories / spare parts	
8K99 10 00	Accessory set: a universal cutting board made of beech and a stainless steel salad basket	141,-
9K08 00 K1	Rolling mat, stainless steel	114,-
8K36 10 00	Universal Salad basket, stainless steel	172,-
9624 15 LC	Cap waste cover, stainless steel, you will find more colours on page 93	35,-
9K04 00 K1	Inset strainer, stainless steel	64,-
8345 47 K1	Inset strainer, stainless steel	126,-
8K94 00 61	Waste system basket strainer, chrome	105,-
8K82 10 00	Waste system, pop-up without Cover cap	156,-

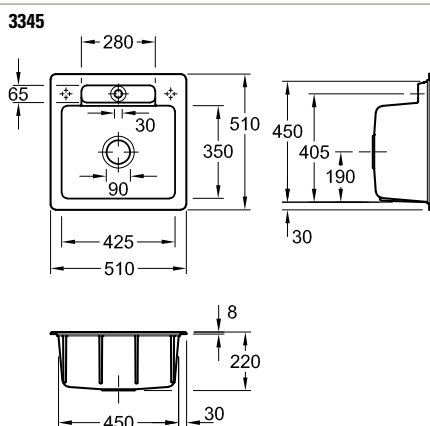


View of holes for tap fittings



When ordering, please specify the tap hole you would like us to drill for you, by using tap hole reference number (see page 2).
Diameter: ca. 35 mm
Additional charge: 9,00 €/model.

Engineering data



Please refer to the assembly instructions
Required size of worktop : 48 x 48 cm

All dimensions in mm

SUBWAY 50



- Available with bowl on the right or left-hand side
- For surface-mounted installation
- Minimum width of undersink cabinet: 50 cm
- Registered design
- Compatible with all soap dispensers on page 91
- Further selection of cover caps for turn lever on page 95

Ceramic Plus
Villeroy & Boch

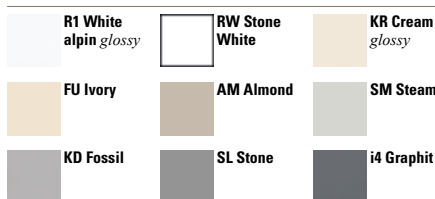


BUILT-IN SINKS

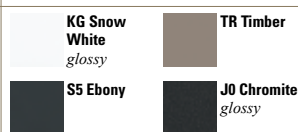
€ excl. VAT

Ref.	Description (for XX, please enter colour number)	Classicline	Premiumline	Trendline
6713 01 XX	Sink bowl right inclusive Waste system, basket strainer	876,00	982,00	1.053,00
6773 01 XX	Sink bowl left inclusive Waste system, basket strainer	876,00	982,00	1.053,00
6713 02 XX	Sink bowl right inclusive Waste system, pop-up	951,00	1.057,00	1.128,00
6773 02 XX	Sink bowl left inclusive Waste system, pop-up	951,00	1.057,00	1.128,00

Classicline CeramicPlus



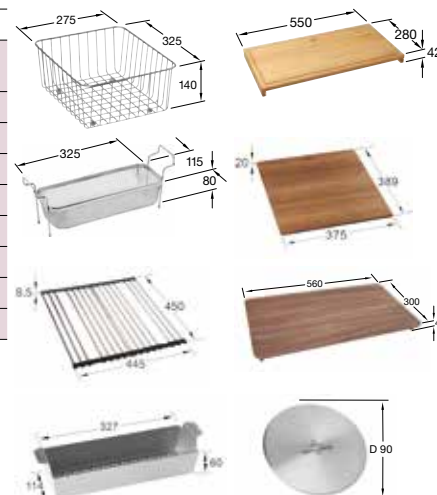
Premiumline CeramicPlus



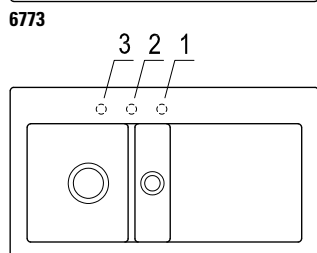
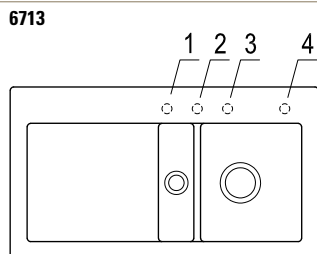
Trendline CeramicPlus



Ref.	Optional accessories / spare parts	
8K05 10 00	Accessory set: a universal cutting board made of beech and a stainless steel salad basket	141,-
9K08 00 K1	Rolling mat, stainless steel	114,-
8K33 10 00	Cutting board walnut	149,-
8K36 10 00	Universal Salad basket, stainless steel	172,-
9624 15 LC	Cap waste cover, stainless steel, you will find more colours on page 93	35,-
8K34 00 K1	Strainer bowl, stainless steel	120,-
9K04 00 K1	Inset strainer, stainless steel	64,-
8214 00 61	Waste system, basket strainer, chrome	85,-
8215 10 00	Waste system, pop-up without Cover cap	160,-



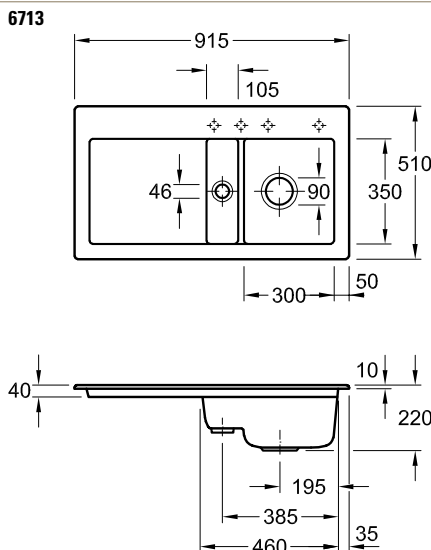
View of holes for tap fittings



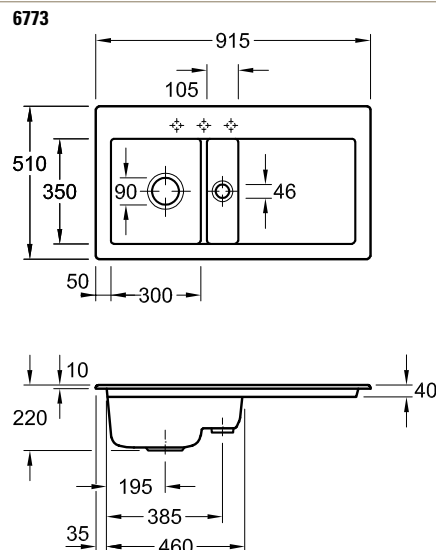
When ordering, please specify the tap hole you would like us to drill for you, by using tap hole reference number (see page 2).

Diameter: ca. 35 mm
Additional charge: 9,00 €/model.

Engineering data



Please refer to the assembly instructions
Required size of worktop : 88 x 48 cm



All dimensions in mm

SUBWAY 50 S

BUILT-IN SINKS



- For surface-mounted installation
- Minimum width of undersink cabinet: 50 cm
- Steamer containers 1/3 and 2/3 compatible with salad basket
- Registered design
- Compatible with all soap dispensers on page 91
- Further selection of cover caps for turn lever on page 95



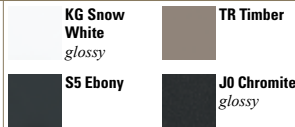
€ excl. VAT

Ref.	Description (for XX, please enter colour number)	Classicline	Premiumline
3315 01 XX	Sink inclusive Waste system, basket strainer	747,00	837,00
3315 02 XX	Sink inclusive Waste system, pop-up	841,00	931,00

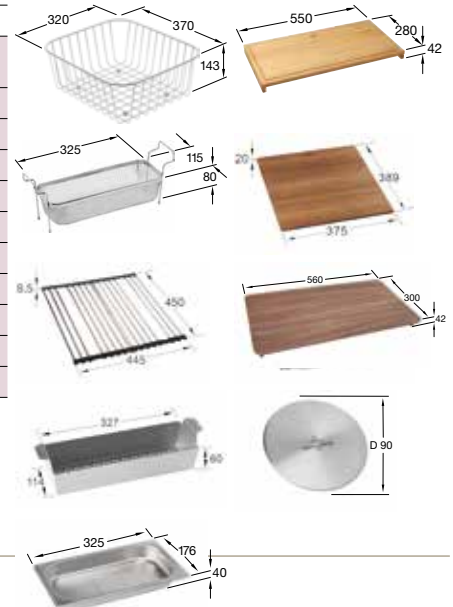
Classicline CeramicPlus



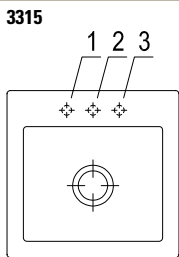
Premiumline CeramicPlus



Ref.	Optional accessories / spare parts	
8K99 10 00	Accessory set: a universal cutting board made of beech and a stainless steel salad basket	141,-
9K08 00 K1	Rolling mat, stainless steel	114,-
8K33 10 00	Cutting board walnut	149,-
8K36 10 00	Universal Salad basket, stainless steel	172,-
8299 06 K1	Steamer container 1/3, stainless steel	47,-
8299 05 K1	Steamer container 2/3, stainless steel	66,-
9624 15 LC	Cap waste cover, stainless steel, you will find more colours on page 93	35,-
8K34 00 K1	Strainer bowl, stainless steel	120,-
9K04 00 K1	Inset strainer, stainless steel	64,-
8276 00 61	Waste system, basket strainer, chrome	66,-
8286 10 00	Waste system, pop-up without Cover cap	160,-

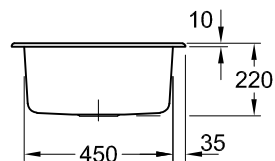
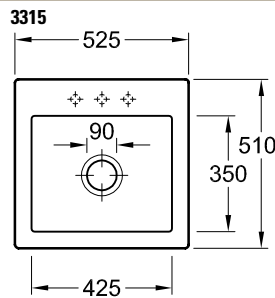


View of holes for tap fittings



When ordering, please specify the tap hole you would like us to drill for you, by using tap hole reference number (see page 2).
Diameter: ca. 35 mm
Additional charge: 9,00 €/model.

Engineering data



Please refer to the assembly instructions
Required size of worktop : 49,5 x 48 cm

All dimensions in mm

TIMELINE 50



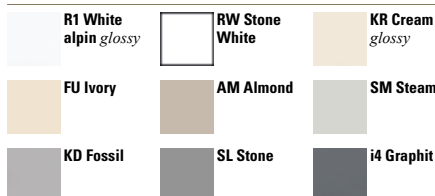
- **The sink is reversible**
- For surface-mounted installation
- Minimum width of undersink cabinet: 50 cm
- Compatible with all soap dispensers on page 91
- Further selection of cover caps for turn lever on page 95



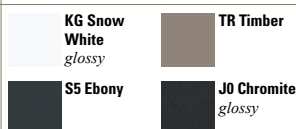
€ excl. VAT

Ref.	Description (for XX, please enter colour number)	Classicline	Premiumline	Trendline
3307 01 XX	Sink inclusive Waste system, basket strainer	912,00	1.027,00	1.103,00
3307 02 XX	Sink inclusive Waste system, pop-up	1.006,00	1.121,00	1.197,00

Classicline CeramicPlus



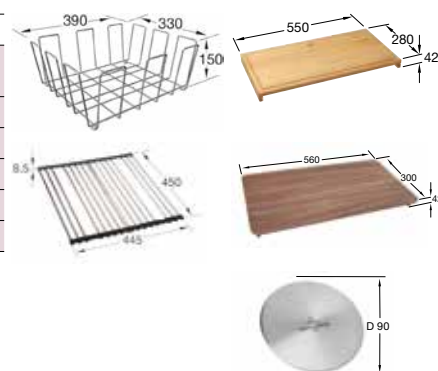
Premiumline CeramicPlus



Trendline CeramicPlus

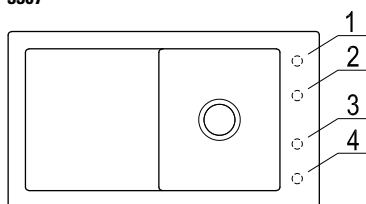


Ref.	Optional accessories / spare parts	
8K29 10 00	Accessory set: a universal cutting board made of beech and a stainless steel salad basket	141,-
9K08 00 K1	Rolling mat, stainless steel	114,-
8K36 10 00	Universal Salad basket, stainless steel	172,-
9624 15 LC	Cap waste cover, stainless steel, you will find more colours on page 93	35,-
8276 00 61	Waste system, basket strainer, chrome	66,-
8286 10 00	Waste system, pop-up without Cover cap	160,-



View of holes for tap fittings

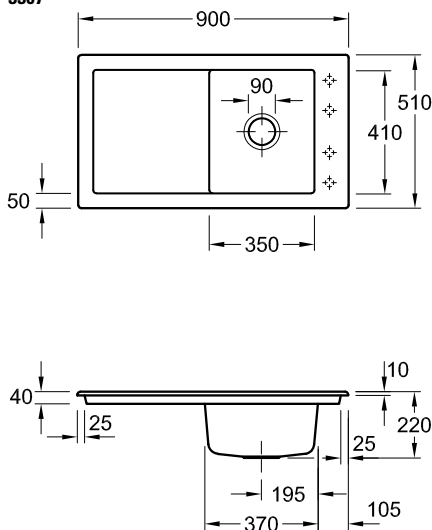
3307



When ordering, please specify the tap hole you would like us to drill for you, by using tap hole reference number (see page 2).
Diameter: ca. 35 mm
Additional charge: 9,00 €/model.

Engineering data

3307



Please refer to the assembly instructions
Required size of worktop : 87 x 48 cm

All dimensions in mm

CONDOR 45

BUILT-IN SINKS

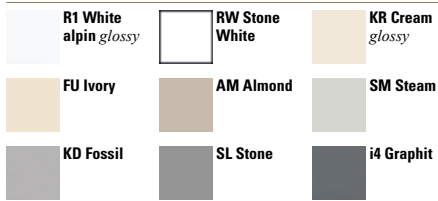


- **The sink is reversible**
- For surface-mounted installation
- Minimum width of undersink cabinet: 45 cm
- Compatible with all soap dispensers on page 91
- Further selection of cover caps for turn lever on page 95

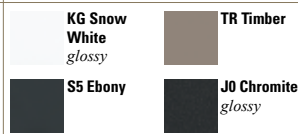


Ref.	Description (for XX, please enter colour number)	€ excl. VAT	
		Classicline	Premiumline
6745 01 XX	Sink inclusive Waste system, basket strainer	763,00	852,00
6745 02 XX	Sink inclusive Waste system, pop-up	838,00	927,00

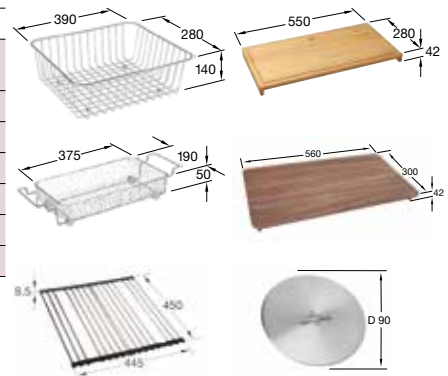
Classicline CeramicPlus



Premiumline CeramicPlus

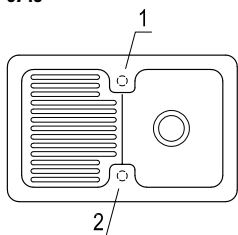


Ref.	Optional accessories / spare parts	
8K30 10 00	Accessory set: a universal cutting board made of beech and a stainless steel salad basket	141,-
9K08 00 K1	Rolling mat, stainless steel	114,-
8K36 10 00	Universal Salad basket, stainless steel	172,-
9624 15 LC	Cap waste cover, stainless steel, you will find more colours on page 93	35,-
8345 47 K1	Inset strainer, stainless steel	126,-
8231 00 61	Waste system, basket strainer, chrome	85,-
8233 10 00	Waste system, pop-up without Cover cap	160,-



View of holes for tap fittings

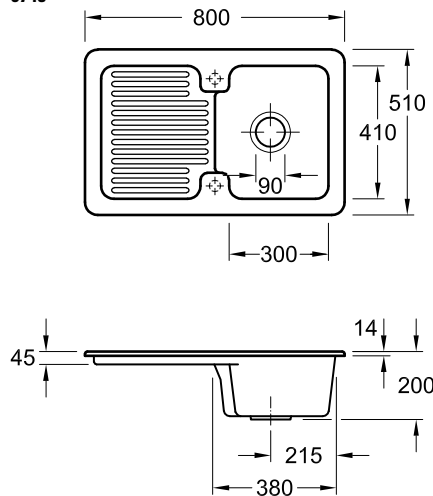
6745



When ordering, please specify the tap hole you would like us to drill for you, by using tap hole reference number (see page 2).
Diameter: ca. 35 mm
Additional charge: 9,00 €/model.

Engineering data

6745



Please refer to the assembly instructions
Required size of worktop : 76 x 47 cm

All dimensions in mm

FLAVIA 45

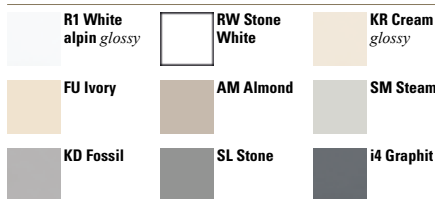


- **The sink is reversible**
- For surface-mounted installation
- Minimum width of undersink cabinet: 45 cm
- Compatible with all soap dispensers on page 91
- Further selection of cover caps for turn lever on page 95

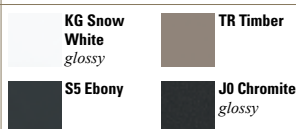


Ref.	Description (for XX, please enter colour number)	€ excl. VAT	
		Classicline	Premiumline
3306 01 XX	Sink inclusive Waste system, basket strainer	812,00	909,00
3306 02 XX	Sink inclusive Waste system, pop-up	887,00	984,00

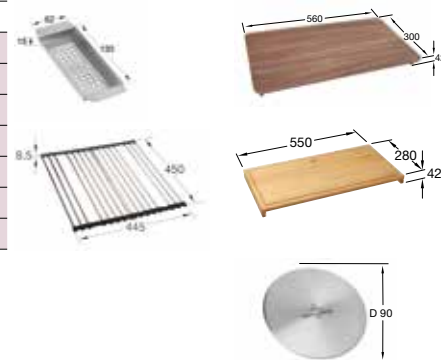
Classicline CeramicPlus



Premiumline CeramicPlus

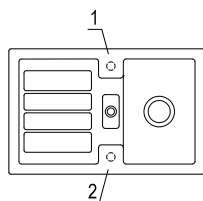


Ref.	Optional accessories / spare parts	
9K08 00 K1	Rolling mat, stainless steel	114,-
8K36 10 00	Universal Salad basket, stainless steel	172,-
8K00 10 00	Universal beechwood cutting board	121,-
9624 15 LC	Cap waste cover, stainless steel, you will find more colours on page 93	35,-
8K24 00 K1	Strainer bowl, stainless steel	98,-
8K93 00 61	Waste system, basket strainer, chrome	85,-
8K97 10 00	Waste system, pop-up without Cover cap	160,-



View of holes for tap fittings

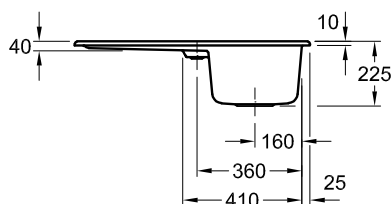
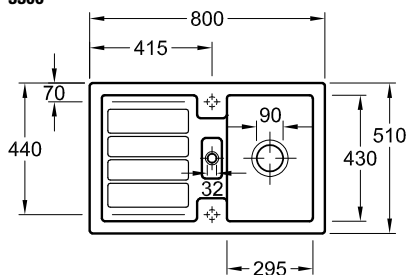
3306



When ordering, please specify the tap hole you would like us to drill for you, by using tap hole reference number (see page 2).
Diameter: ca. 35 mm
Additional charge: 9,00 €/model.

Engineering data

3306



Please refer to the assembly instructions
Required size of worktop : 77 x 48 cm

SILUET 45

BUILT-IN SINKS



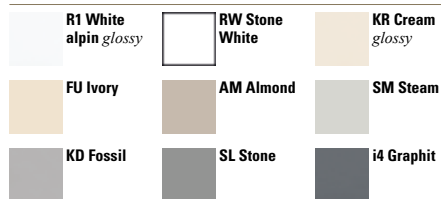
- **The sink is reversible**
- For surface-mounted installation
- Minimum width of undersink cabinet: 45 cm
- Steamer container 1/3 compatible with salad basket
- **Material: TitanCeram**
- Compatible with all soap dispensers on page 91
- Further selection of cover caps for turn lever on page 95



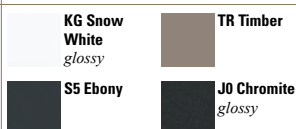
€ excl. VAT

Ref.	Description (for XX, please enter colour number)	Classicline	Premiumline
3334 01 XX	Sink inclusive Waste system, basket strainer	837,00	940,00
3334 02 XX	Sink inclusive Waste system, pop-up	931,00	1.034,00

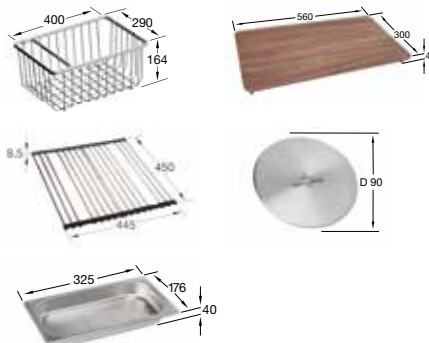
Classicline CeramicPlus



Premiumline CeramicPlus

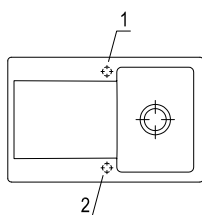


Ref.	Optional accessories / spare parts	
9K12 00 K1	Salad basket, stainless steel	192,-
9K08 00 K1	Rolling mat, stainless steel	114,-
8K36 10 00	Universal Salad basket, stainless steel	172,-
8299 06 K1	Steamer container 1/3, stainless steel	47,-
9624 15 LC	Cap waste cover, stainless steel, you will find more colours on page 93	35,-
8276 00 61	Waste system, basket strainer, chrome	66,-
8286 10 00	Waste system, pop-up without Cover cap	160,-



View of holes for tap fittings

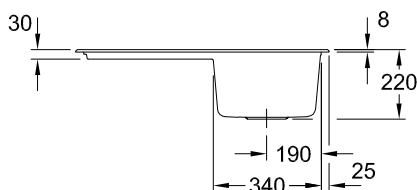
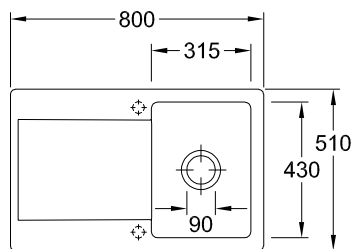
3334



When ordering, please specify the tap hole you would like us to drill for you, by using tap hole reference number (see page 2).
Diameter: ca. 35 mm
Additional charge: 9,00 €/model.

Engineering data

3334



Please refer to the assembly instructions
Required size of worktop : 77 x 48 cm

All dimensions in mm

SUBWAY 45 COMPACT



- Available with bowl on the right or left-hand side
- For surface-mounted installation
- Minimum width of undersink cabinet: 45 cm
- Compatible with all soap dispensers on page 91
- Further selection of cover caps for turn lever on page 95

Ceramic Plus
Villeroy & Boch

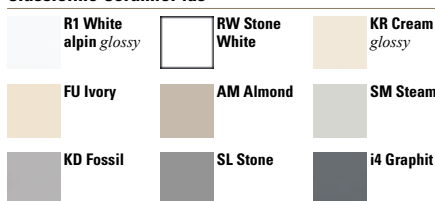


BUILT-IN SINKS

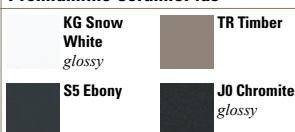
€ excl. VAT

Ref.	Description (for XX, please enter colour number)	Classicline	Premiumline
3313 01 XX	Sink bowl right inclusive Waste system, basket strainer	724,00	810,00
3312 01 XX	Sink bowl left inclusive Waste system, basket strainer	724,00	810,00
3313 02 XX	Sink bowl right inclusive Waste system, pop-up	818,00	904,00
3312 02 XX	Sink bowl left inclusive Waste system, pop-up	818,00	904,00

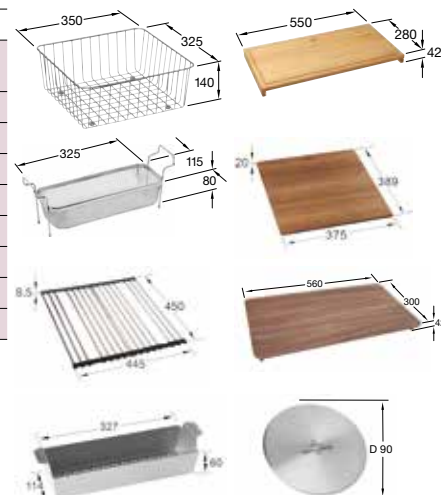
Classicline CeramicPlus



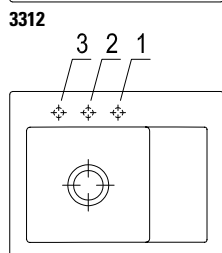
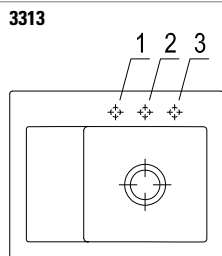
Premiumline CeramicPlus



Ref.	Optional accessories / spare parts	
8K06 10 00	Accessory set: a universal cutting board made of beech and a stainless steel salad basket	141,-
9K08 00 K1	Rolling mat, stainless steel	114,-
8K33 10 00	Cutting board walnut	149,-
8K36 10 00	Universal Salad basket, stainless steel	172,-
9624 15 LC	Cap waste cover, stainless steel, you will find more colours on page 93	35,-
8K34 00 K1	Strainer bowl, stainless steel	120,-
9K04 00 K1	Inset strainer, stainless steel	64,-
8276 00 61	Waste system, basket strainer, chrome	66,-
8286 10 00	Waste system, pop-up without Cover cap	160,-

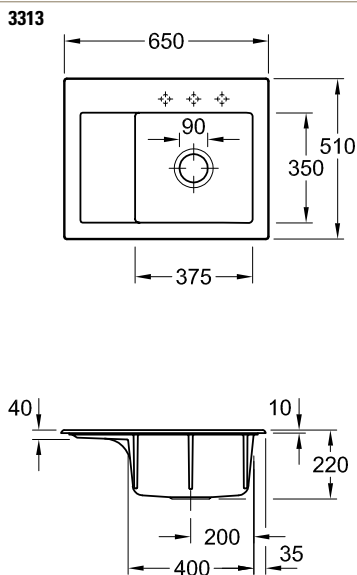


View of holes for tap fittings

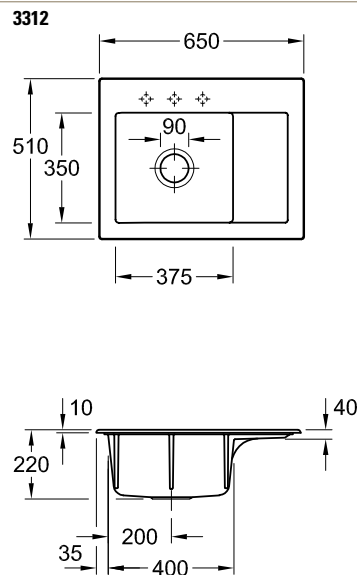


When ordering, please specify the tap hole you would like us to drill for you, by using tap hole reference number (see page 2).
Diameter: ca. 35 mm
Additional charge: 9,00 €/model.

Engineering data



Please refer to the assembly instructions
Required size of worktop : 62 x 48 cm



All dimensions in mm

SUBWAY 45

BUILT-IN SINKS



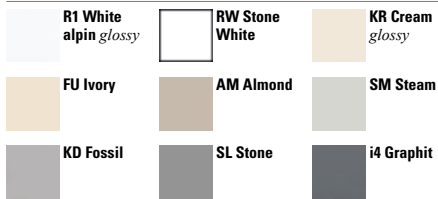
- Available with bowl on the right or left-hand side
- For surface-mounted installation
- Minimum width of undersink cabinet: 45 cm
- Compatible with all soap dispensers on page 91
- Further selection of cover caps for turn lever on page 95



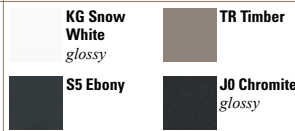
€ excl. VAT

Ref.	Description (for XX, please enter colour number)	Classicline	Premiumline	Trendline
6714 01 XX	Sink bowl right inclusive Waste system, basket strainer	734,00	822,00	880,00
6772 01 XX	Sink bowl left inclusive Waste system, basket strainer	734,00	822,00	880,00
6714 02 XX	Sink bowl right inclusive Waste system, pop-up	828,00	916,00	974,00
6772 02 XX	Sink bowl left inclusive Waste system, pop-up	828,00	916,00	974,00

Classicline CeramicPlus



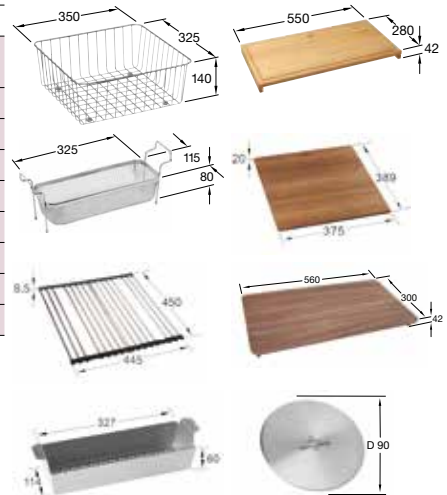
Premiumline CeramicPlus



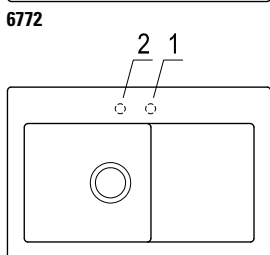
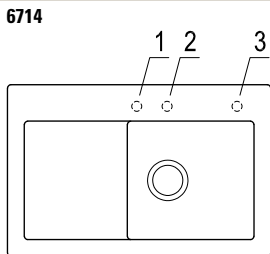
Trendline CeramicPlus



Ref.	Optional accessories / spare parts	
8K06 10 00	Accessory set: a universal cutting board made of beech and a stainless steel salad basket	141,-
9K08 00 K1	Rolling mat, stainless steel	114,-
8K33 10 00	Cutting board walnut	149,-
8K36 10 00	Universal Salad basket, stainless steel	172,-
9624 15 LC	Cap waste cover, stainless steel, you will find more colours on page 93	35,-
8K34 00 K1	Strainer bowl, stainless steel	120,-
9K04 00 K1	Inset strainer, stainless steel	64,-
8276 00 61	Waste system, basket strainer, chrome	66,-
8286 10 00	Waste system, pop-up without Cover cap	160,-

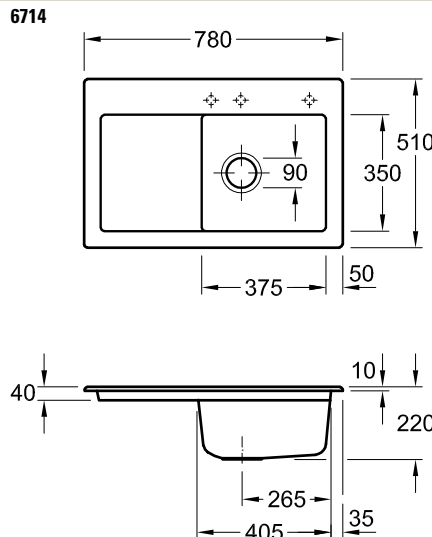


View of holes for tap fittings

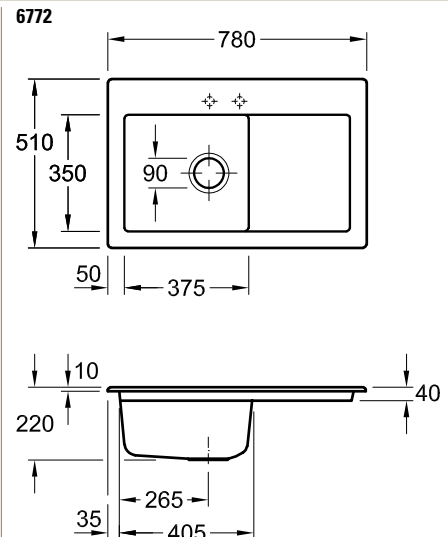


When ordering, please specify the tap hole you would like us to drill for you, by using tap hole reference number (see page 2).
Diameter: ca. 35 mm
Additional charge: 9,00 €/model.

Engineering data



Please refer to the assembly instructions
Required size of worktop : 74 x 48 cm



All dimensions in mm

SUBWAY 45 XS



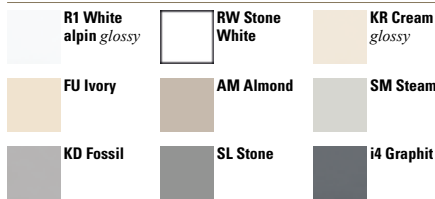
- For surface-mounted installation
- Minimum width of undersink cabinet: 45 cm
- Compatible with all soap dispensers on page 91
- Further selection of cover caps for turn lever on page 95



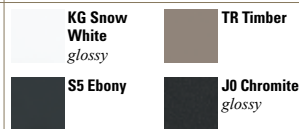
BUILT-IN SINKS

Ref.	Description (for XX, please enter colour number)	€ excl. VAT	
		Classicline	Premiumline
6781 01 XX	Sink inclusive Waste system, basket strainer	727,00	814,00
6781 02 XX	Sink inclusive Waste system, pop-up	821,00	908,00

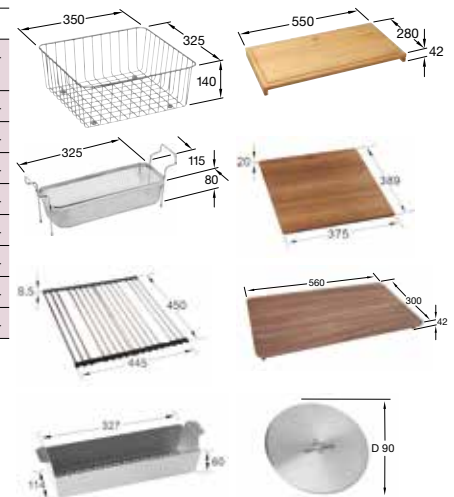
Classicline CeramicPlus



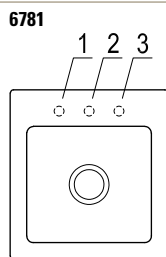
Premiumline CeramicPlus



Ref.	Optional accessories / spare parts	
8K06 10 00	Accessory set: a universal cutting board made of beech and a stainless steel salad basket	141,-
9K08 00 K1	Rolling mat, stainless steel	114,-
8K33 10 00	Cutting board walnut	149,-
8K36 10 00	Universal Salad basket, stainless steel	172,-
9624 15 LC	Cap waste cover, stainless steel, you will find more colours on page 93	35,-
8K34 00 K1	Strainer bowl, stainless steel	120,-
9K04 00 K1	Inset strainer, stainless steel	64,-
8276 00 61	Waste system, basket strainer, chrome	66,-
8286 10 00	Waste system, pop-up without Cover cap	160,-

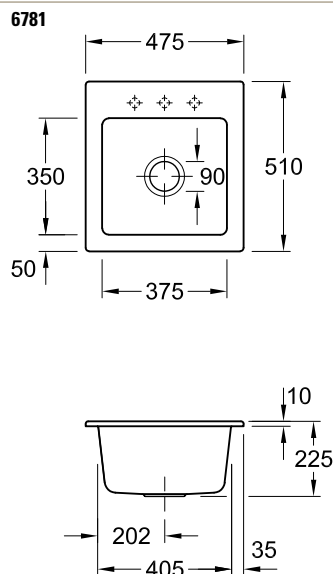


View of holes for tap fittings



When ordering, please specify the tap hole you would like us to drill for you, by using tap hole reference number (see page 2).
Diameter: ca. 35 mm
Additional charge: 9,00 €/model.

Engineering data



Please refer to the assembly instructions
Required size of worktop : 44,5 x 48 cm

All dimensions in mm

TIMELINE 45

BUILT-IN SINKS



- **The sink is reversible**
- For surface-mounted installation
- Minimum width of undersink cabinet: 45 cm
- Compatible with all soap dispensers on page 91
- Further selection of cover caps for turn lever on page 95



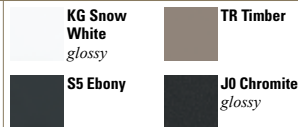
€ excl. VAT

Ref.	Description (for XX, please enter colour number)	Classicline	Premiumline	Trendline
6791 01 XX	Sink inclusive Waste system, basket strainer	809,00	908,00	974,00
6791 02 XX	Sink inclusive Waste system, pop-up	903,00	1.002,00	1.068,00

Classicline CeramicPlus



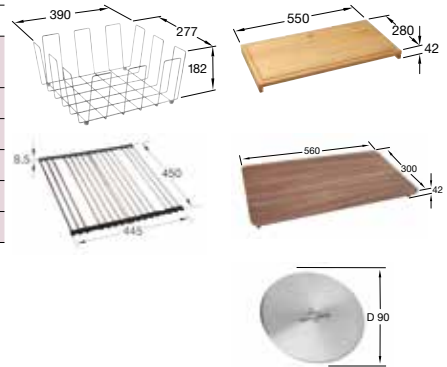
Premiumline CeramicPlus



Trendline CeramicPlus

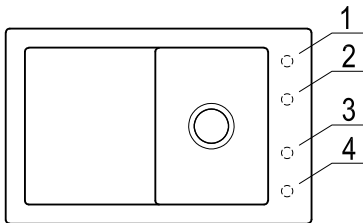


Ref.	Optional accessories / spare parts	
8K15 00 00	Accessory set: a universal cutting board made of beech and a stainless steel salad basket	141,-
9K08 00 K1	Rolling mat, stainless steel	114,-
8K36 10 00	Universal Salad basket, stainless steel	172,-
9624 15 LC	Cap waste cover, stainless steel, you will find more colours on page 93	35,-
8276 00 61	Waste system, basket strainer, chrome	66,-
8286 10 00	Waste system, pop-up without Cover cap	160,-



View of holes for tap fittings

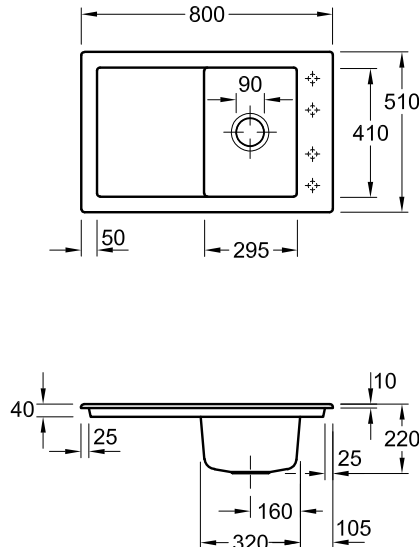
6791



When ordering, please specify the tap hole you would like us to drill for you, by using tap hole reference number (see page 2).
Diameter: ca. 35 mm
Additional charge: 9,00 €/model.

Engineering data

6791



Please refer to the assembly instructions
Required size of worktop : 77 x 48 cm

All dimensions in mm

CISTERNA 60B

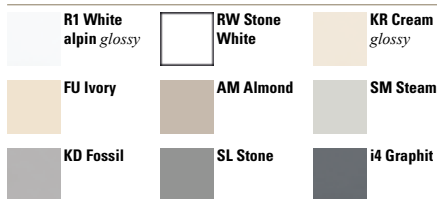


- Installation in natural stone or artificial stone countertops
- Minimum width of undersink cabinet: 60 cm
- 2 basins, closable
- Registered design
- Possible combinations undercounter see pages 110-111
- Compatible with all soap dispensers on page 91
- Further selection of cover caps for double turn lever on page 95
- If the installation is exact, the cut-out of the worktop must be made using the original sink

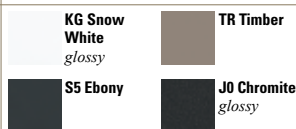


Ref.	Description (for XX, please enter colour number)	€ excl. VAT	
		Classicline	Premiumline
6702 01 XX	Undercounter sink inclusive Waste system, basket strainer, Fastening set and Strainer bowl	906,00	999,00
6702 02 XX	Undercounter sink inclusive Waste system, pop-up, Fastening set and Strainer bowl	981,00	1.074,00

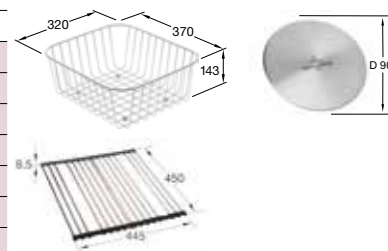
Classicline CeramicPlus



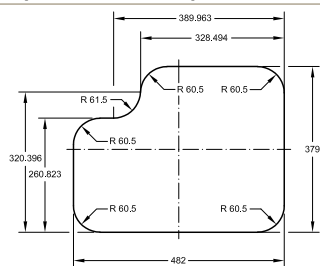
Premiumline CeramicPlus



Ref.	Optional accessories / spare parts	
9841 00 K1	Salad basket, stainless steel	140,-
9K08 00 K1	Rolling mat, stainless steel	114,-
9624 15 LC	Cap waste cover, stainless steel, you will find more colours on page 93	35,-
9851 00 K2	Strainer bowl, transparent	54,-
8282 00 61	Waste system, basket strainer, chrome	114,-
8283 10 00	Waste system, pop-up without Cover cap	189,-
9218 03 00	Fastening set	39,-

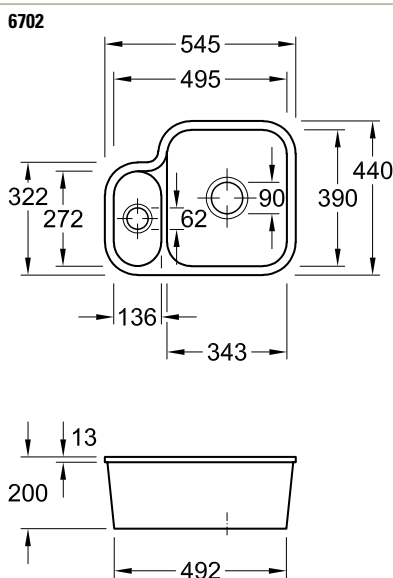


Required size of worktop



Required size of worktop :
see attached template
(Ref. 9307 71 A2)

Engineering data



Please refer to the assembly instructions

CISTERNA 60C



- Installation in natural stone or artificial stone countertops
- Minimum width of undersink cabinet: 60 cm
- Registered design
- Possible combinations undercounter see pages 110-111
- Compatible with all soap dispensers on page 91
- Further selection of cover caps for turn lever on page 95
- If the installation is exact, the cut-out of the worktop must be made using the original sink

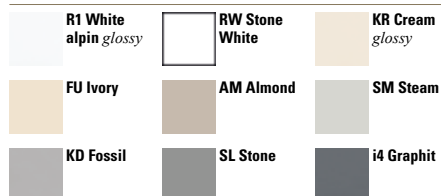


UNDERCOUNTER SINKS

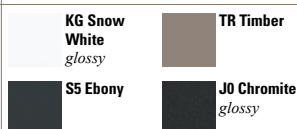
€ excl. VAT

Ref.	Description (for XX, please enter colour number)	Classicline	Premiumline
6706 01 XX	Undercounter sink inclusive Waste system, basket strainer and Fastening set	861,00	962,00
6706 02 XX	Undercounter sink inclusive Waste system, pop-up and Fastening set	955,00	1.056,00

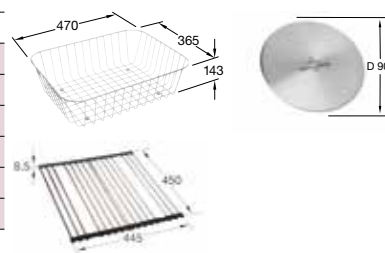
Classicline CeramicPlus



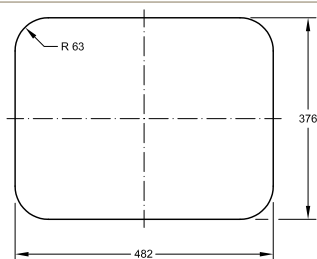
Premiumline CeramicPlus



Ref.	Optional accessories / spare parts	
8397 00 K1	Salad basket, stainless steel	140,-
9K08 00 K1	Rolling mat, stainless steel	114,-
9624 15 LC	Cap waste cover, stainless steel, you will find more colours on page 93	35,-
8276 00 61	Waste system, basket strainer, chrome	66,-
8286 10 00	Waste system, pop-up without Cover cap	160,-
9218 03 00	Fastening set	39,-

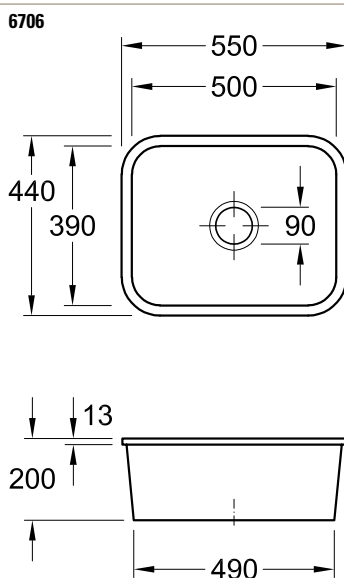


Required size of worktop



Required size of worktop :
see attached template
(Ref. 9307 91 A3)

Engineering data



Please refer to the assembly instructions

All dimensions in mm

CISTERNA 50

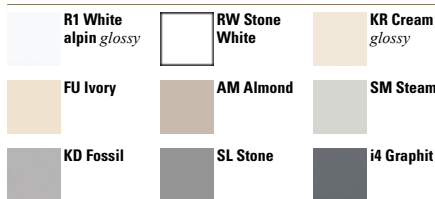


- Installation in natural stone or artificial stone countertops
- Minimum width of undersink cabinet: 50 cm
- Registered design
- Possible combinations undercounter see pages 110-111
- Compatible with all soap dispensers on page 91
- Further selection of cover caps for turn lever on page 95
- If the installation is exact, the cut-out of the worktop must be made using the original sink

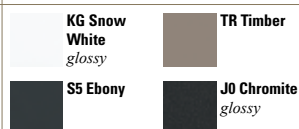


Ref.	Description (for XX, please enter colour number)	€ excl. VAT	
		Classicline	Premiumline
6703 01 XX	Undercounter sink inclusive Waste system, basket strainer and Fastening set	799,00	891,00
6703 02 XX	Undercounter sink inclusive Waste system, pop-up and Fastening set	893,00	985,00

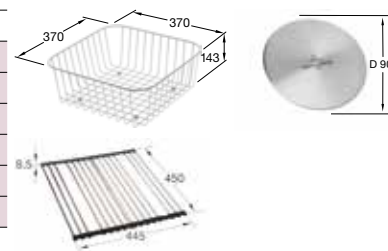
Classicline CeramicPlus



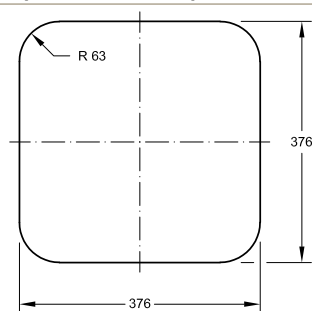
Premiumline CeramicPlus



Ref.	Optional accessories / spare parts	
9849 00 K1	Salad basket, stainless steel	140,-
9K08 00 K1	Rolling mat, stainless steel	114,-
9624 15 LC	Cap waste cover, stainless steel, you will find more colours on page 93	35,-
8276 00 61	Waste system, basket strainer, chrome	66,-
8286 10 00	Waste system, pop-up without Cover cap	160,-
9218 03 00	Fastening set	39,-

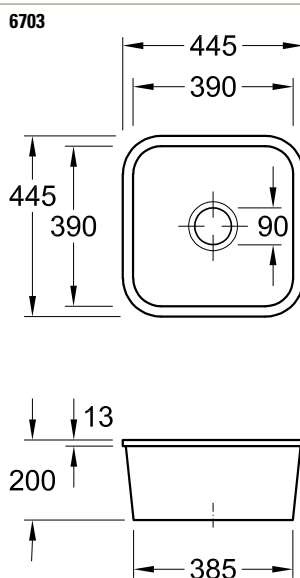


Required size of worktop



Required size of worktop :
see attached template
(Ref. 9307 72 A2)

Engineering data



Please refer to the assembly instructions

CISTERNA 45



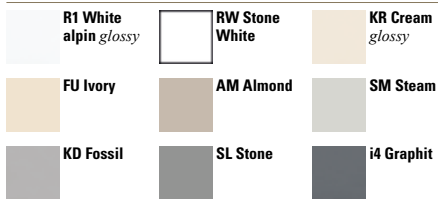
- Installation in natural stone or artificial stone countertops
- Minimum width of undersink cabinet: 45 cm
- Registered design
- Possible combinations undercounter see pages 110-111
- Compatible with all soap dispensers on page 91
- Further selection of cover caps for turn lever on page 95
- If the installation is exact, the cut-out of the worktop must be made using the original sink



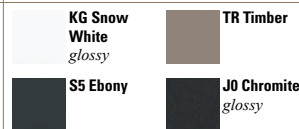
£ excl. VAT

Ref.	Description (for XX, please enter colour number)	Classicline	Premiumline
6704 01 XX	Undercounter sink inclusive Waste system, basket strainer and Fastening set	768,00	855,00
6704 02 XX	Undercounter sink inclusive Waste system, pop-up and Fastening set	862,00	949,00

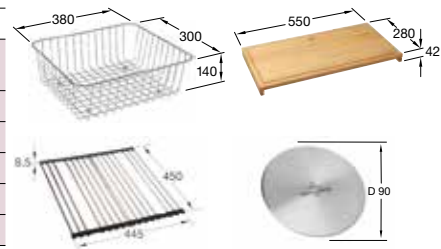
Classicline CeramicPlus



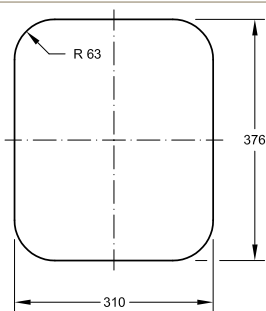
Premiumline CeramicPlus



Ref.	Optional accessories / spare parts	
8K03 10 00	Accessory set: a universal cutting board made of beech and a stainless steel salad basket	141,-
9K08 00 K1	Rolling mat, stainless steel	114,-
9624 15 LC	Cap waste cover, stainless steel, you will find more colours on page 93	35,-
8276 00 61	Waste system, basket strainer, chrome	66,-
8286 10 00	Waste system, pop-up without Cover cap	160,-
9218 03 00	Fastening set	39,-

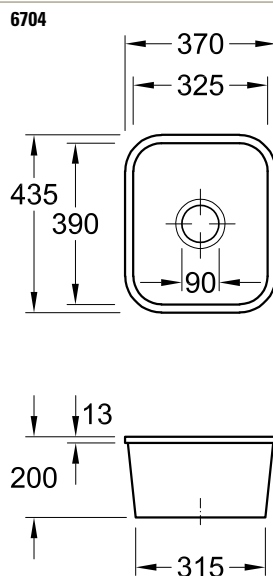


Required size of worktop



Required size of worktop :
see attached template
(Ref. 9307 73 A2)

Engineering data



Please refer to the assembly instructions

All dimensions in mm

CISTERNA 26



- Installation in natural stone or artificial stone countertops
- Registered design
- Possible combinations undercounter see pages 110-111
- Further selection of cover caps for turn lever on page 95
- If the installation is exact, the cut-out of the worktop must be made using the original sink



Ref.	Description (for XX, please enter colour number)	€ excl. VAT
6707 01 R1	Undercounter sink inclusive Waste system, basket strainer and Fastening set	462,00
6707 02 R1	Undercounter sink inclusive Waste system, pop-up and Fastening set	556,00

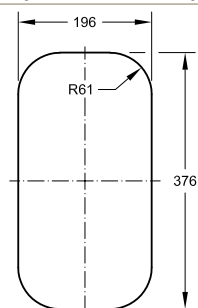
Classicline CeramicPlus

R1 White
alpin glossy

Ref.	Optional accessories / spare parts	
9K08 00 K1	Rolling mat, stainless steel	114,-
9624 15 LC	Cap waste cover, stainless steel, you will find more colours on page 93	35,-
8276 00 61	Waste system, basket strainer, chrome	66,-
8286 10 00	Waste system, pop-up without Cover cap	160,-
9218 03 00	Fastening set	39,-

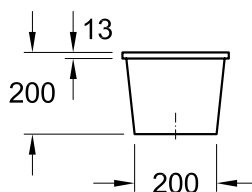
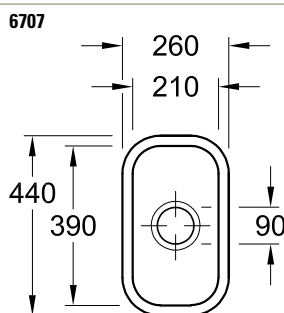


Required size of worktop



Required size of worktop :
see attached template
(Ref. 9307 92 A3)

Engineering data



Please refer to the assembly instructions

SUBWAY 60 SU



- Installation in natural stone or artificial stone countertops
- Minimum width of undersink cabinet: 60 cm
- Possible combinations undercounter see pages 110-111
- Compatible with all soap dispensers on page 91
- Further selection of cover caps for turn lever on page 95
- If the installation is exact, the cut-out of the worktop must be made using the original sink



UNDERCOUNTER SINKS

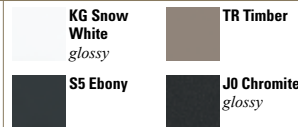
€ excl. VAT

Ref.	Description (for XX, please enter colour number)	Classicline	Premiumline
3310 01 XX	Undercounter sink inclusive Waste system, basket strainer	888,00	999,00
3310 02 XX	Undercounter sink inclusive Waste system, pop-up	982,00	1.093,00

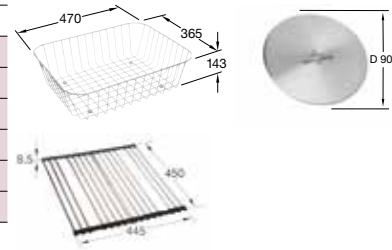
Classicline CeramicPlus



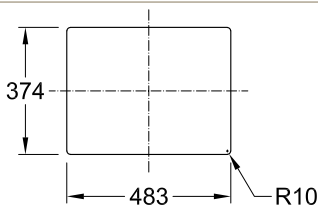
Premiumline CeramicPlus



Ref.	Optional accessories / spare parts	
8397 00 K1	Salad basket, stainless steel	140,-
9K08 00 K1	Rolling mat, stainless steel	114,-
9624 15 LC	Cap waste cover, stainless steel, you will find more colours on page 93	35,-
8276 00 61	Waste system, basket strainer, chrome	66,-
8286 10 00	Waste system, pop-up without Cover cap	160,-
9218 03 00	Fastening set	39,-

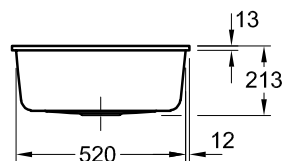
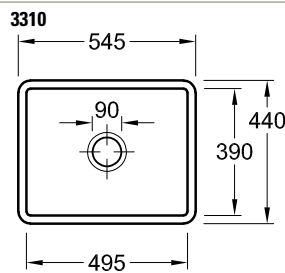


Required size of worktop



Required size of worktop :
see attached template
(Ref. 9307 G9 A9)

Engineering data



Please refer to the assembly instructions

All dimensions in mm

SUBWAY 60 XU

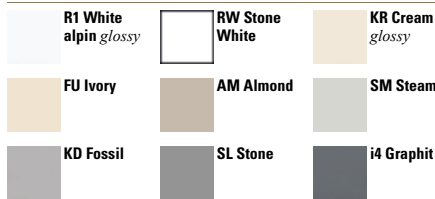


- Installation in natural stone or artificial stone countertops
- Minimum width of undersink cabinet: 60 cm
- 2 basins, closable
- Steamer containers 1/3 and 2/3 compatible with salad basket
- Compatible with all soap dispensers on page 91
- Further selection of cover caps for double turn lever on page 95
- If the installation is exact, the cut-out of the worktop must be made using the original sink

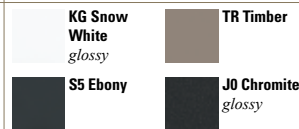


Ref.	Description (for XX, please enter colour number)	€ excl. VAT	
		Classicline	Premiumline
6758 01 XX	Undercounter sink inclusive Waste system, basket strainer	929,00	1.039,00
6758 02 XX	Undercounter sink inclusive Waste system, pop-up	1.004,00	1.114,00

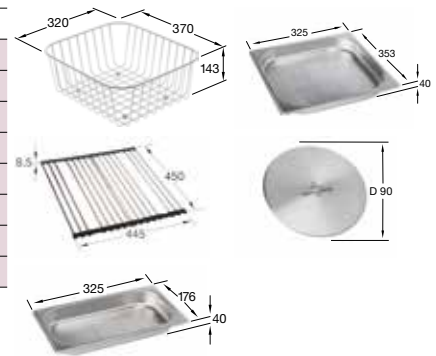
Classicline CeramicPlus



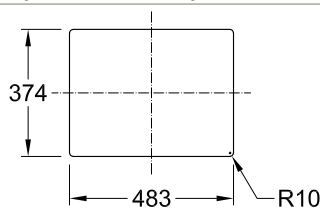
Premiumline CeramicPlus



Ref.	Optional accessories / spare parts	
9841 00 K1	Salad basket, stainless steel	140,-
9K08 00 K1	Rolling mat, stainless steel	114,-
8299 06 K1	Steamer container 1/3, stainless steel	47,-
8299 05 K1	Steamer container 2/3, stainless steel	66,-
9624 15 LC	Cap waste cover, stainless steel, you will find more colours on page 93	35,-
8282 00 G1	Waste system, basket strainer, chrome	114,-
8283 10 00	Waste system, pop-up without Cover cap	189,-
9218 03 00	Fastening set	39,-

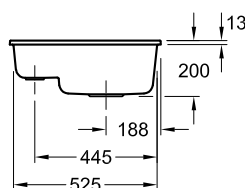
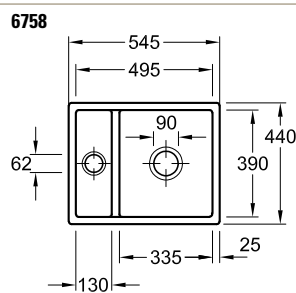


Required size of worktop



Required size of worktop :
see attached template
(Ref. 9307 G9 A9)

Engineering data



Please refer to the assembly instructions

SUBWAY 50 SU



- Installation in natural stone or artificial stone countertops
- Minimum width of undersink cabinet: 50 cm
- Possible combinations undercounter see pages 110-111
- Compatible with all soap dispensers on page 91
- Further selection of cover caps for turn lever on page 95
- If the installation is exact, the cut-out of the worktop must be made using the original sink



UNDERCOUNTER SINKS

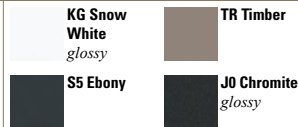
€ excl. VAT

Ref.	Description (for XX, please enter colour number)	Classicline	Premiumline
3325 01 XX	Undercounter sink inclusive Waste system, basket strainer	734,00	822,00
3325 02 XX	Undercounter sink inclusive Waste system, pop-up	828,00	916,00

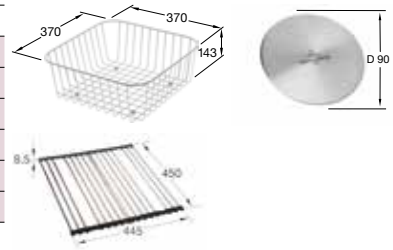
Classicline CeramicPlus



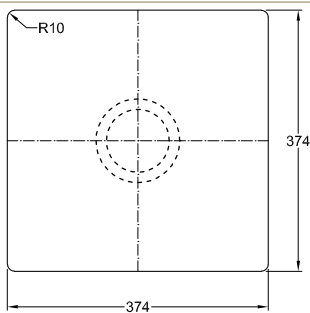
Premiumline CeramicPlus



Ref.	Optional accessories / spare parts	
9849 00 K1	Salad basket, stainless steel	140,-
9K08 00 K1	Rolling mat, stainless steel	114,-
9624 15 LC	Cap waste cover, stainless steel, you will find more colours on page 93	35,-
8276 00 61	Waste system, basket strainer, chrome	66,-
8286 10 00	Waste system, pop-up without Cover cap	160,-
9218 03 00	Fastening set	39,-

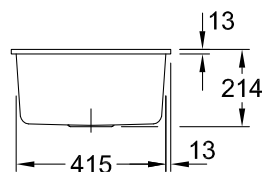
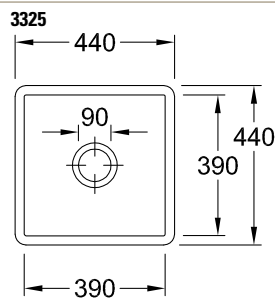


Required size of worktop



Required size of worktop :
see attached template
(Ref. 9307 L0 A4)

Engineering data



Please refer to the assembly instructions

All dimensions in mm

SUBWAY 45 SU

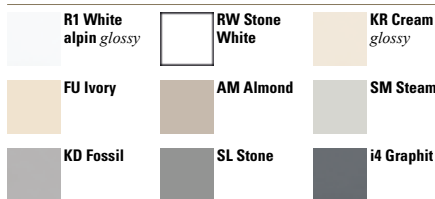


- Installation in natural stone or artificial stone countertops
- Minimum width of undersink cabinet: 45 cm
- Possible combinations undercounter see pages 110-111
- Compatible with all soap dispensers on page 91
- Further selection of cover caps for turn lever on page 95
- If the installation is exact, the cut-out of the worktop must be made using the original sink

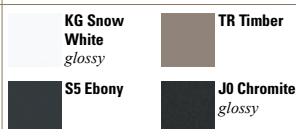


Ref.	Description (for XX, please enter colour number)	€ excl. VAT	
		Classicline	Premiumline
3324 01 XX	Undercounter sink inclusive Waste system, basket strainer	721,00	807,00
3324 02 XX	Undercounter sink inclusive Waste system, pop-up	815,00	901,00

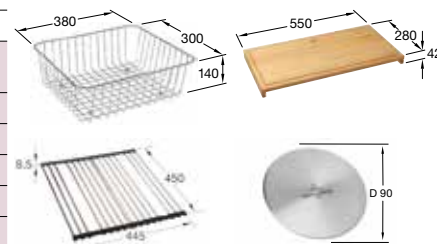
Classicline CeramicPlus



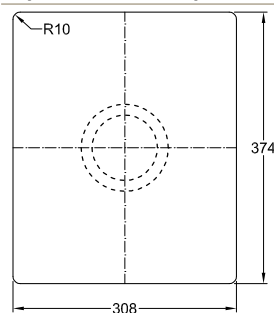
Premiumline CeramicPlus



Ref.	Optional accessories / spare parts	
8K03 10 00	Accessory set: a universal cutting board made of beech and a stainless steel salad basket	141,-
9K08 00 K1	Rolling mat, stainless steel	114,-
9624 15 LC	Cap waste cover, stainless steel, you will find more colours on page 93	35,-
8276 00 61	Waste system, basket strainer, chrome	66,-
8286 10 00	Waste system, pop-up without Cover cap	160,-
9218 03 00	Fastening set	39,-

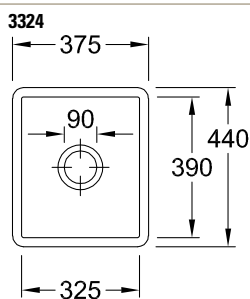


Required size of worktop



Required size of worktop :
see attached template
(Ref. 9307 L1 A4)

Engineering data



Please refer to the assembly instructions

SILUET 60 FLAT

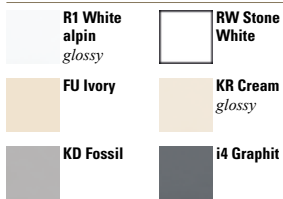


- **The sink is reversible**
- For flush-fit installation in natural stone or artificial stone countertops
- Minimum width of undersink cabinet: 60 cm
- Minimum thickness of the countertop when used with a dishwasher: min. 3 cm
- Steamer containers 1/3 and 2/3 compatible with salad basket
- **Material: TitanCeram**
- Compatible with all soap dispensers on page 91
- Further selection of cover caps for turn lever on page 95

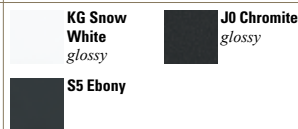


Ref.	Description (for XX, please enter colour number)	€ excl. VAT	
		Classicline	Premiumline
3336 1F XX	Sink inclusive Waste system, basket strainer	1.173,00	1.327,00
3336 2F XX	Sink inclusive Waste system, pop-up	1.267,00	1.421,00

Classicline CeramicPlus



Premiumline CeramicPlus

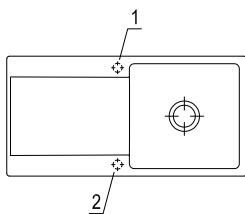


Ref.	Optional accessories / spare parts	
9K10 00 K1	Salad basket, stainless steel	214,-
9K08 00 K1	Rolling mat, stainless steel	114,-
8K36 10 00	Universal cutting board walnut	172,-
8299 06 K1	Steamer container 1/3, stainless steel	47,-
8299 05 K1	Steamer container 2/3, stainless steel	66,-
9624 15 LC	Cap waste cover, stainless steel, you will find more colours on page 93	35,-
8276 00 61	Waste system, basket strainer, chrome	66,-
8286 10 00	Waste system, pop-up without Cover cap	160,-
9220 58 00	Installation kit	20,-



View of holes for tap fittings

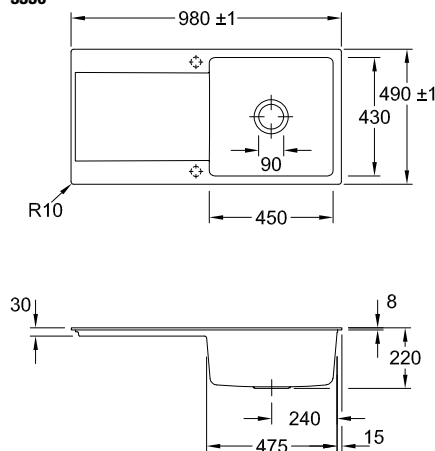
3336



When ordering, please specify the tap hole you would like us to drill for you, by using tap hole reference number (see page 2).
Diameter: ca. 35 mm
Additional charge: 9,00 €/model.

Engineering data

3336



Please refer to the assembly instructions and cut-out dimensions of the countertop on page XX!

All dimensions in mm

SILUET 60 R FLAT



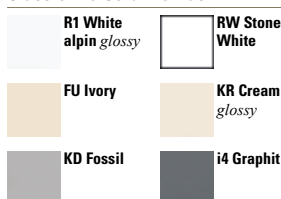
- **The sink is reversible**
- For flush-fit installation in natural stone or artificial stone countertops
- Minimum width of undersink cabinet: 60 cm
- Minimum thickness of the countertop when used with a dishwasher: min. 3 cm
- Compatible with steamer container 1/3
- **Material: TitanCeram**
- Compatible with all soap dispensers on page 91
- Further selection of cover caps for turn lever on page 95



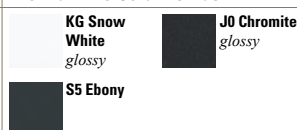
€ excl. VAT

Ref.	Description (for XX, please enter colour number)	Classicline	Premiumline
3337 1F XX	Sink inclusive Waste system, basket strainer	1.240,00	1.401,00
3337 2F XX	Sink inclusive Waste system, pop-up	1.315,00	1.476,00

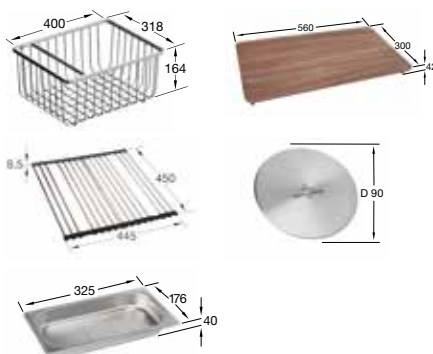
Classicline CeramicPlus



Premiumline CeramicPlus

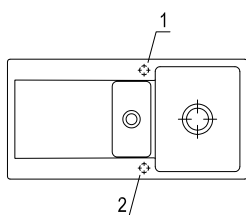


Ref.	Optional accessories / spare parts	
9K11 00 K1	Salad basket, stainless steel	203,-
9K08 00 K1	Rolling mat, stainless steel	114,-
8K36 10 00	Universal cutting board walnut	172,-
8299 06 K1	Steamer container 1/3, stainless steel	47,-
9624 15 LC	Cap waste cover, stainless steel, you will find more colours on page 93	35,-
8K92 00 61	Waste system, basket strainer, chrome	85,-
8K96 10 00	Waste system, pop-up without Cover cap	160,-
9220 58 00	Installation kit	20,-



View of holes for tap fittings

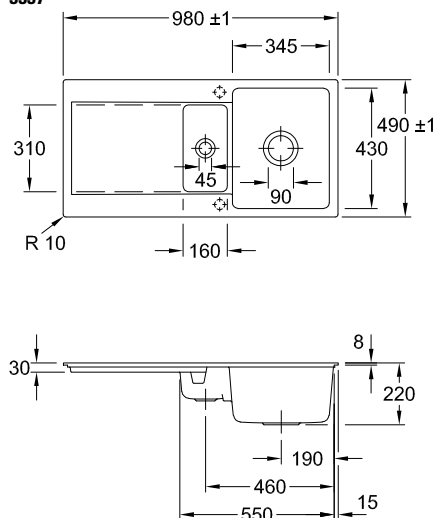
3337



When ordering, please specify the tap hole you would like us to drill for you, by using tap hole reference number (see page 2).
Diameter: ca. 35 mm
Additional charge: 9,00 €/model.

Engineering data

3337



Please refer to the assembly instructions and cut-out dimensions of the countertop on page XX!

All dimensions in mm

SILUET 60 S FLAT

NEW



- For flush-fit installation in natural stone or artificial stone countertops
- Minimum width of undersink cabinet: 60 cm
- **Material: TitanCeram**
- Minimum thickness of the countertop: min. 3 cm
- Compatible with all soap dispensers on page 91
- Further selection of cover caps for turn lever on page 95

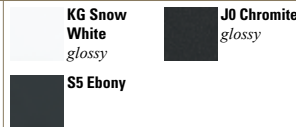


Ref.	Description (for XX, please enter colour number)	€ excl. VAT	
		Classicline	Premiumline
3346 1F XX	Sink inclusive Waste system basket strainer	992,00	1.113,00
3346 2F XX	Sink inclusive Waste system, pop-up	1.043,00	1.164,00

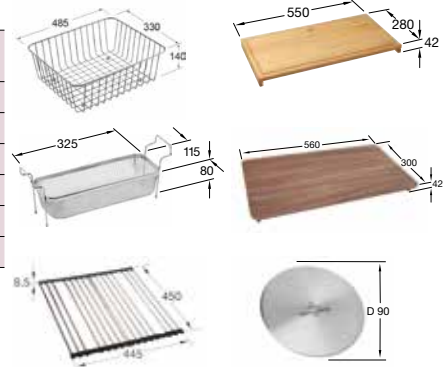
Classicline CeramicPlus



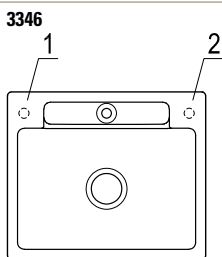
Premiumline CeramicPlus



Ref.	Optional accessories / spare parts	
8K09 10 00	Accessory set: a universal cutting board made of beech and a stainless steel salad basket	141,-
9K08 00 K1	Rolling mat, stainless steel	114,-
8K36 10 00	Universal cutting board walnut	172,-
9624 15 LC	Cap waste cover, stainless steel, you will find more colours on page 93	35,-
9K04 00 K1	Inset strainer, stainless steel	64,-
8K94 00 61	Waste system basket strainer, chrome	105,-
8K82 10 00	Waste system, pop-up without Cover cap	156,-

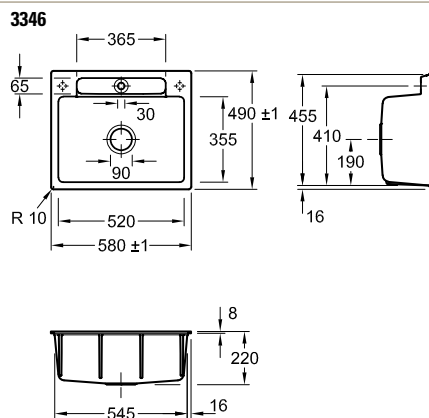


View of holes for tap fittings



When ordering, please specify the tap hole you would like us to drill for you, by using tap hole reference number (see page 2).
Diameter: ca. 35 mm
Additional charge: 9,00 €/model.

Engineering data



Please refer to the assembly instructions

All dimensions in mm

SUBWAY 60 FLAT



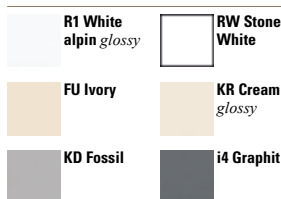
- Available with bowl on the right or left-hand side
- For flush-fit installation in natural stone or artificial stone countertops
- Minimum width of undersink cabinet: 60 cm
- Minimum thickness of the countertop when used with a dishwasher: min. 4 cm
- Registered design
- Compatible with all soap dispensers on page 91
- Further selection of cover caps for turn lever on page 95



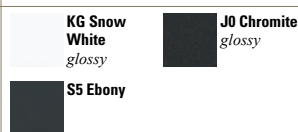
€ excl. VAT

Ref.	Description (for XX, please enter colour number)	Classicline	Premiumline
6712 1F XX	Sink bowl right inclusive Waste system, basket strainer	1.093,00	1.232,00
6770 1F XX	Sink bowl left inclusive Waste system, basket strainer	1.093,00	1.232,00
6712 2F XX	Sink bowl right inclusive Waste system pop-up	1.168,00	1.307,00
6770 2F XX	Sink bowl left inclusive Waste system pop-up	1.168,00	1.307,00

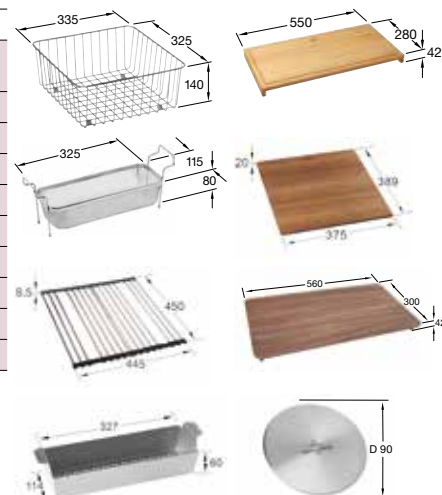
Classicline CeramicPlus



Premiumline CeramicPlus

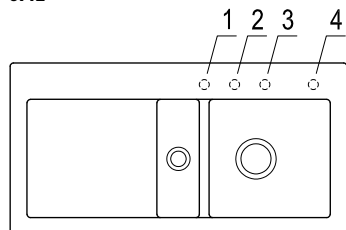


Ref.	Optional accessories / spare parts	
8K04 10 00	Accessory set: a universal cutting board made of beech and a stainless steel salad basket	141,-
9K08 00 K1	Rolling mat, stainless steel	114,-
8K33 10 00	Cutting board walnut	149,-
8K36 10 00	Universal cutting board walnut	172,-
9624 15 LC	Cap waste cover, stainless steel, you will find more colours on page 93	35,-
8K34 00 K1	Strainer bowl, stainless steel	120,-
9K04 00 K1	Inset strainer, stainless steel	64,-
8214 00 61	Waste system, basket strainer, chrome	85,-
8215 10 00	Waste system, pop-up without Cover cap	160,-
9220 58 00	Installation kit	20,-

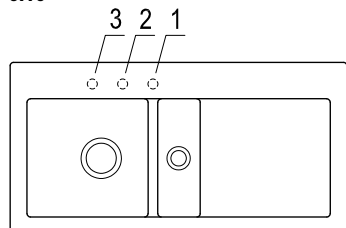


View of holes for tap fittings

6712



6770

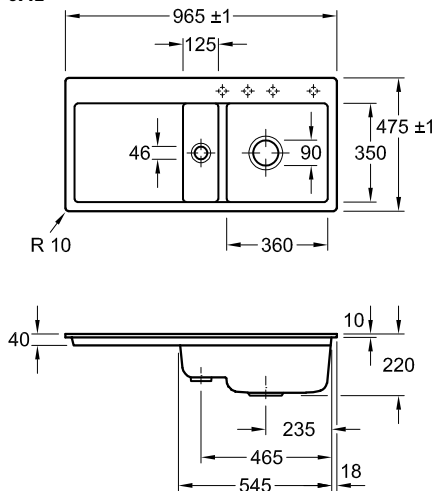


When ordering, please specify the tap hole you would like us to drill for you, by using tap hole reference number (see page 2).

Diameter: ca. 35 mm
Additional charge: 9,00 €/model.

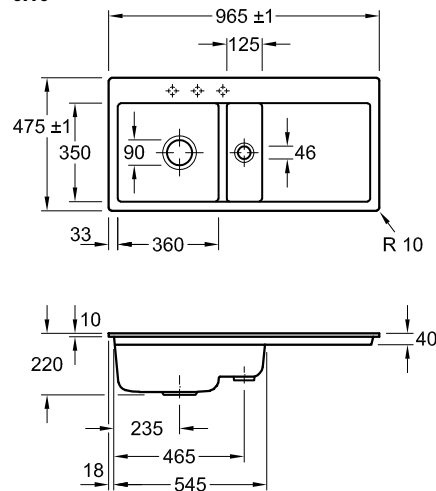
Engineering data

6712



Please refer to the assembly instructions and cut-out dimensions of the countertop on page XX!

6770



All dimensions in mm

SUBWAY 60 S FLAT



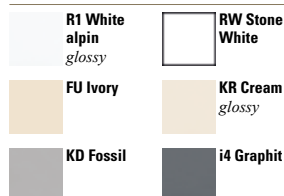
- For flush-fit installation in natural stone or artificial stone countertops
- Minimum width of undersink cabinet: 60 cm
- Minimum thickness of the countertop: min. 3 cm
- Registered design
- Compatible with all soap dispensers on page 91
- Further selection of cover caps for turn lever on page 95



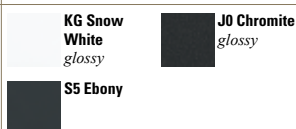
€ excl. VAT

Ref.	Description (for XX, please enter colour number)	Classicline	Premiumline
3309 1F XX	Sink inclusive Waste system, basket strainer	932,00	1.050,00
3309 2F XX	Sink inclusive Waste system, pop-up	1.026,00	1.144,00

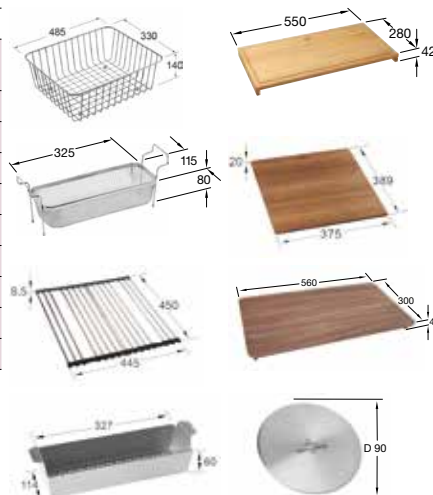
Classicline CeramicPlus



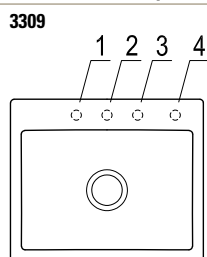
Premiumline CeramicPlus



Ref.	Optional accessories / spare parts	
8K09 10 00	Accessory set: a universal cutting board made of beech and a stainless steel salad basket	141,-
9K08 00 K1	Rolling mat, stainless steel	114,-
8K33 10 00	Cutting board walnut	149,-
8K36 10 00	Universal cutting board walnut	172,-
9624 15 LC	Cap waste cover, stainless steel, you will find more colours on page 93	35,-
8K34 00 K1	Strainer bowl, stainless steel	120,-
9K04 00 K1	Inset strainer, stainless steel	64,-
8276 00 61	Waste system, basket strainer, chrome	66,-
8286 10 00	Waste system, pop-up without Cover cap	160,-
9220 58 00	Installation kit	20,-

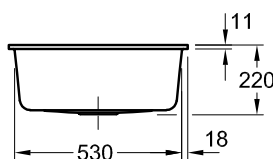
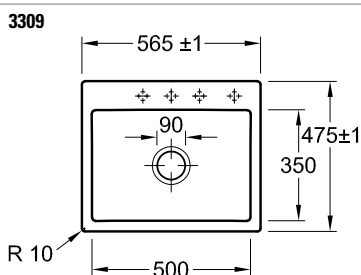


View of holes for tap fittings



When ordering, please specify the tap hole you would like us to drill for you, by using tap hole reference number (see page 2).
Diameter: ca. 35 mm
Additional charge: 9,00 €/model.

Engineering data



Please refer to the assembly instructions and cut-out dimensions of the countertop on page XX!

All dimensions in mm

SUBWAY 60 XL FLAT



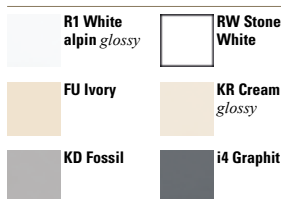
- Available with bowl on the right or left-hand side
- For flush-fit installation in natural stone or artificial stone countertops
- Minimum width of undersink cabinet: 60 cm
- Minimum thickness of the countertop when used with a dishwasher: min. 4 cm
- Registered design
- Compatible with all soap dispensers on page 91
- Further selection of cover caps for turn lever on page 95



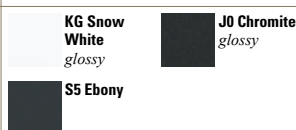
€ excl. VAT

Ref.	Description (for XX, please enter colour number)	Classicline	Premiumline
6719 1F XX	Sink bowl right inclusive Waste system, basket strainer	1.028,00	1.160,00
6718 1F XX	Sink bowl left inclusive Waste system, basket strainer	1.028,00	1.160,00
6719 2F XX	Sink bowl right inclusive Waste system, pop-up	1.122,00	1.254,00
6718 2F XX	Sink bowl left inclusive Waste system, pop-up	1.122,00	1.254,00

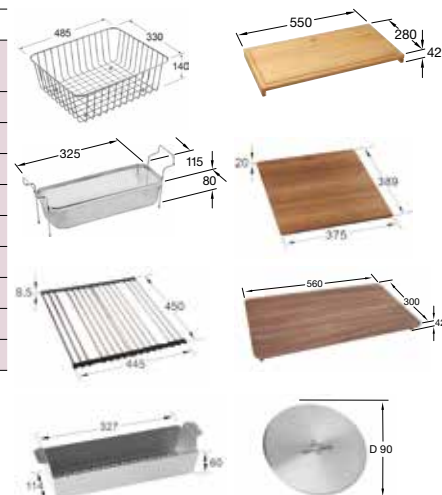
Classicline CeramicPlus



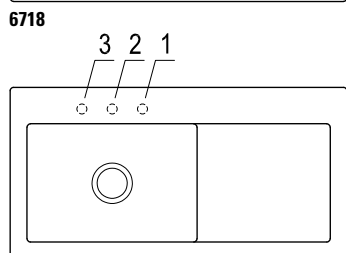
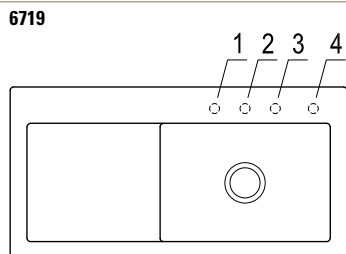
Premiumline CeramicPlus



Ref.	Optional accessories / spare parts	
8K09 10 00	Accessory set: a universal cutting board made of beech and a stainless steel salad basket	141,-
9K08 00 K1	Rolling mat, stainless steel	114,-
8K33 10 00	Cutting board walnut	149,-
8K36 10 00	Universal cutting board walnut	172,-
9624 15 LC	Cap waste cover, stainless steel, you will find more colours on page 93	35,-
8K34 00 K1	Strainer bowl, stainless steel	120,-
9K04 00 K1	Inset strainer, stainless steel	64,-
8276 00 61	Waste system, basket strainer, chrome	66,-
8286 10 00	Waste system, pop-up without Cover cap	160,-
9220 58 00	Installation kit	20,-



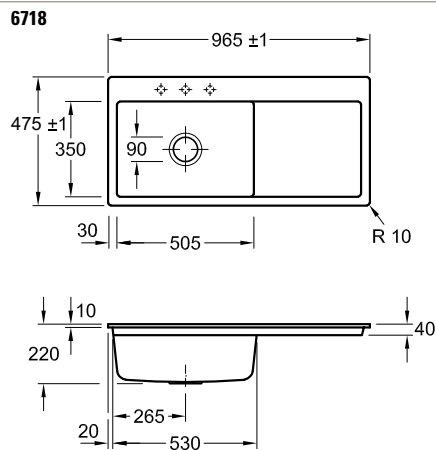
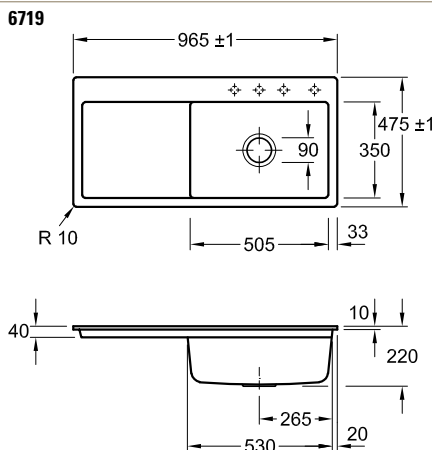
View of holes for tap fittings



When ordering, please specify the tap hole you would like us to drill for you, by using tap hole reference number (see page 2).

Diameter: ca. 35 mm
Additional charge: 9,00 €/model.

Engineering data



Please refer to the assembly instructions and cut-out dimensions of the countertop on page XX!

All dimensions in mm

SUBWAY 60 XM FLAT



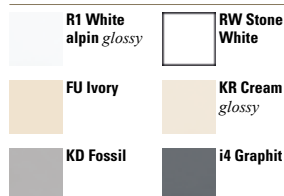
- For flush-fit installation in natural stone or artificial stone countertops
- Minimum width of undersink cabinet: 60 cm
- Minimum thickness of the countertop: min. 3 cm
- Compatible with all soap dispensers on page 91
- Further selection of cover caps for turn lever on page 95



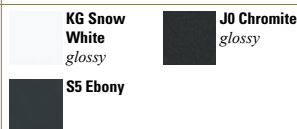
€ excl. VAT

Ref.	Description (for XX, please enter colour number)	Classicline	Premiumline
6780 1F XX	Sink inclusive Waste system, basket strainer	963,00	1.082,00
6780 2F XX	Sink inclusive Waste system, pop-up	1.038,00	1.157,00

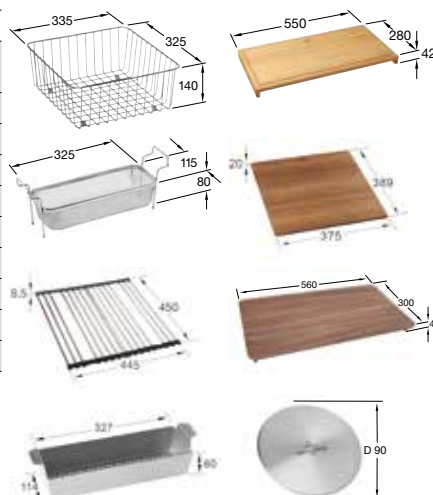
Classicline CeramicPlus



Premiumline CeramicPlus

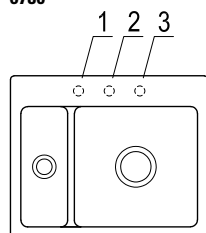


Ref.	Optional accessories / spare parts	
8K04 10 00	Accessory set: a universal cutting board made of beech and a stainless steel salad basket	141,-
9K08 00 K1	Rolling mat, stainless steel	114,-
8K33 10 00	Cutting board walnut	149,-
8K36 10 00	Universal cutting board walnut	172,-
9624 15 LC	Cap waste cover, stainless steel, you will find more colours on page 93	35,-
8K34 00 K1	Strainer bowl, stainless steel	120,-
9K04 00 K1	Inset strainer, stainless steel	64,-
8214 00 61	Waste system, basket strainer, chrome	85,-
8215 10 00	Waste system, pop-up without Cover cap	160,-
9220 58 00	Installation kit	20,-



View of holes for tap fittings

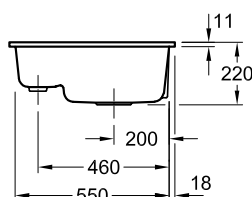
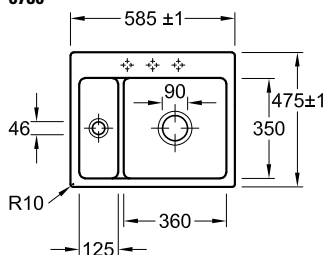
6780



When ordering, please specify the tap hole you would like us to drill for you, by using tap hole reference number (see page 2).
Diameter: ca. 35 mm
Additional charge: 9,00 €/model.

Engineering data

6780



Please refer to the assembly instructions and cut-out dimensions of the countertop on page XX!

All dimensions in mm

TIMELINE 60 FLAT



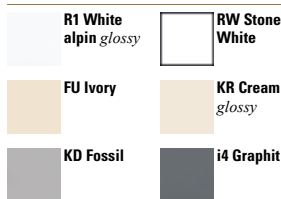
- **The sink is reversible**
- For flush-fit installation in natural stone or artificial stone countertops
- Minimum width of undersink cabinet: 60 cm
- Minimum thickness of the countertop when used with a dishwasher: min. 4 cm
- Compatible with all soap dispensers on page 91
- Further selection of cover caps for turn lever on page 95



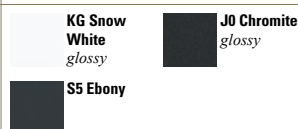
€ excl. VAT

Ref.	Description (for XX, please enter colour number)	Classicline	Premiumline
6790 1F XX	Sink inclusive Waste system, basket strainer	1.138,00	1.287,00
6790 2F XX	Sink inclusive Waste system, pop-up	1.232,00	1.381,00

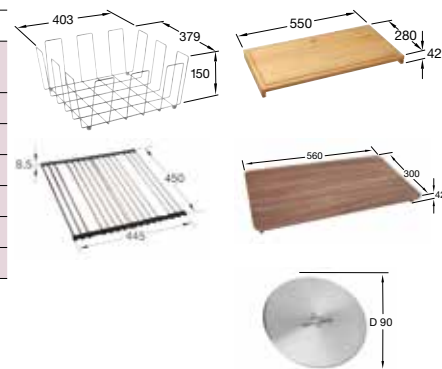
Classicline CeramicPlus



Premiumline CeramicPlus

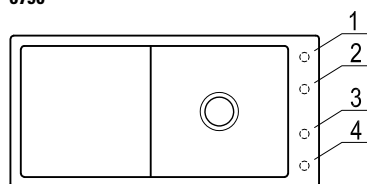


Ref.	Optional accessories / spare parts	
8K14 00 00	Accessory set: a universal cutting board made of beech and a stainless steel salad basket	141,-
9K08 00 K1	Rolling mat, stainless steel	114,-
8K36 10 00	Universal cutting board walnut	172,-
9624 15 LC	Cap waste cover, stainless steel, you will find more colours on page 93	35,-
8276 00 61	Waste system, basket strainer, chrome	66,-
8286 10 00	Waste system, pop-up without Cover cap	160,-
9220 58 00	Installation kit	20,-



View of holes for tap fittings

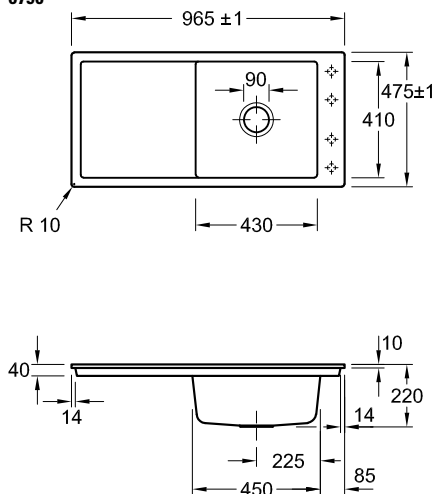
6790



When ordering, please specify the tap hole you would like us to drill for you, by using tap hole reference number (see page 2).
Diameter: ca. 35 mm
Additional charge: 9,00 €/model.

Engineering data

6790



Please refer to the assembly instructions and cut-out dimensions of the countertop on page XX!

All dimensions in mm

SILUET 50 FLAT



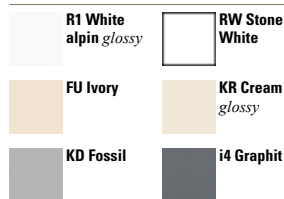
- **The sink is reversible**
- For flush-fit installation in natural stone or artificial stone countertops
- Minimum width of undersink cabinet: 50 cm
- Minimum thickness of the countertop when used with a dishwasher: min. 3 cm
- Steamer container 1/3 compatible with salad basket
- **Material: TitanCeram**
- Compatible with all soap dispensers on page 91
- Further selection of cover caps for turn lever on page 95



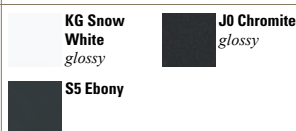
€ excl. VAT

Ref.	Description (for XX, please enter colour number)	Classicline	Premiumline
3335 1F XX	Sink inclusive Waste system, basket strainer	1.048,00	1.183,00
3335 2F XX	Sink inclusive Waste system, pop-up	1.142,00	1.277,00

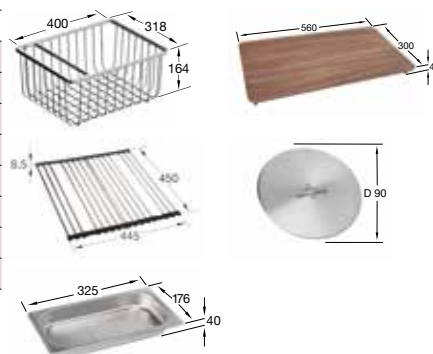
Classicline CeramicPlus



Premiumline CeramicPlus

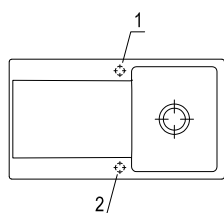


Ref.	Optional accessories / spare parts	
9K11 00 K1	Salad basket, stainless steel	203,-
9K08 00 K1	Rolling mat, stainless steel	114,-
8K36 10 00	Universal cutting board walnut	172,-
8299 06 K1	Steamer container 1/3, stainless steel	47,-
9624 15 LC	Cap waste cover, stainless steel, you will find more colours on page 93	35,-
8276 00 61	Waste system, basket strainer, chrome	66,-
8286 10 00	Waste system, pop-up without Cover cap	160,-
9220 58 00	Installation kit	20,-



View of holes for tap fittings

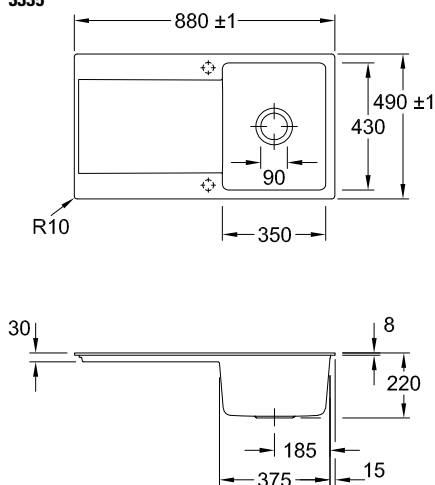
3335



When ordering, please specify the tap hole you would like us to drill for you, by using tap hole reference number (see page 2).
Diameter: ca. 35 mm
Additional charge: 9,00 €/model.

Engineering data

3335



Please refer to the assembly instructions and cut-out dimensions of the countertop on page XX!

All dimensions in mm

SILUET 50 S FLAT

NEW



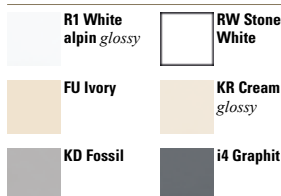
- For flush-fit installation in natural stone or artificial stone countertops
- **Flexible installation of the sink: the strainer bowl can be positioned at the back or to either the right- or left-hand side**
- Minimum width of undersink cabinet: 50 cm
- **Material: TitanCeram**
- Minimum thickness of the countertop: min. 3 cm
- Compatible with all soap dispensers on page 91
- Further selection of cover caps for turn lever on page 95



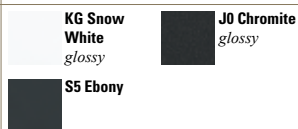
€ excl. VAT

Ref.	Description (for XX, please enter colour number)	Classicline	Premiumline
3345 1F XX	Sink inclusive Waste system basket strainer	887,00	992,00
3345 2F XX	Sink inclusive Waste system, pop-up	938,00	1.043,00

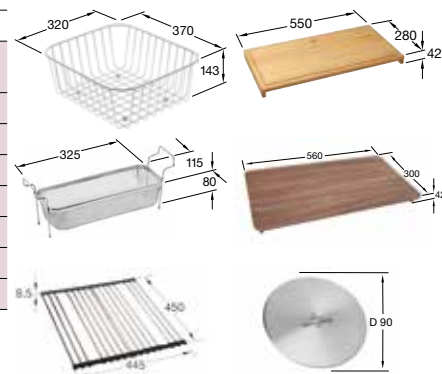
Classicline CeramicPlus



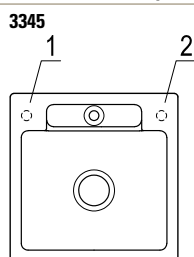
Premiumline CeramicPlus



Ref.	Optional accessories / spare parts	
8K99 10 00	Accessory set: a universal cutting board made of beech and a stainless steel salad basket	141,-
9K08 00 K1	Rolling mat, stainless steel	114,-
8K36 10 00	Universal cutting board walnut	172,-
9624 15 LC	Cap waste cover, stainless steel, you will find more colours on page 93	35,-
9K04 00 K1	Inset strainer, stainless steel	64,-
8345 47 K1	Inset strainer, stainless steel	126,-
8K94 00 61	Waste system basket strainer, chrome	105,-
8K82 10 00	Waste system, pop-up without Cover cap	156,-

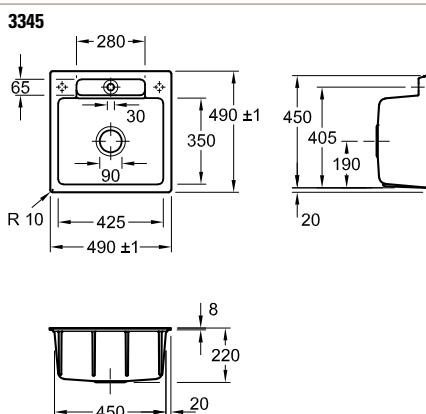


View of holes for tap fittings



When ordering, please specify the tap hole you would like us to drill for you, by using tap hole reference number (see page 2).
Diameter: ca. 35 mm
Additional charge: 9,00 €/model.

Engineering data



Please refer to the assembly instructions

All dimensions in mm

SUBWAY 50 FLAT



- Available with bowl on the right or left-hand side
- For flush-fit installation in natural stone or artificial stone countertops
- Minimum width of undersink cabinet: 50 cm
- Minimum thickness of the countertop when used with a dishwasher: min. 4 cm
- Registered design
- Compatible with all soap dispensers on page 91
- Further selection of cover caps for turn lever on page 95

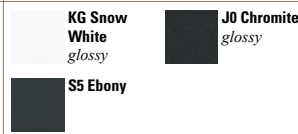


Ref.	Description (for XX, please enter colour number)	€ excl. VAT	
		Classicline	Premiumline
6713 1F XX	Sink bowl right inclusive Waste system, basket strainer	976,00	1.097,00
6773 1F XX	Sink bowl left inclusive Waste system, basket strainer	976,00	1.097,00
6713 2F XX	Sink bowl right inclusive Waste system, pop-up	1.051,00	1.172,00
6773 2F XX	Sink bowl left inclusive Waste system, pop-up	1.051,00	1.172,00

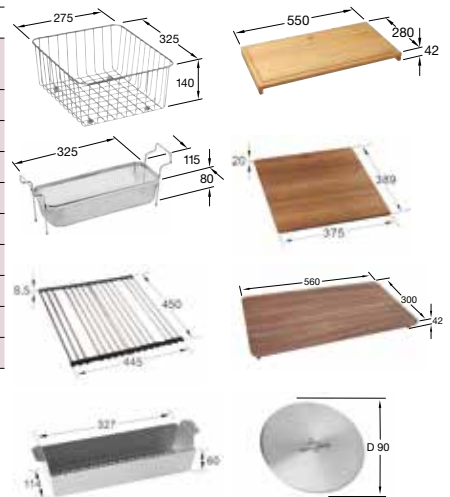
Classicline CeramicPlus



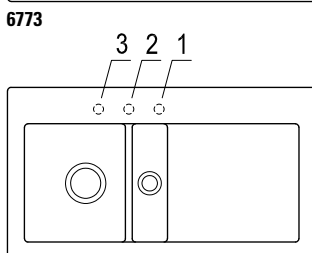
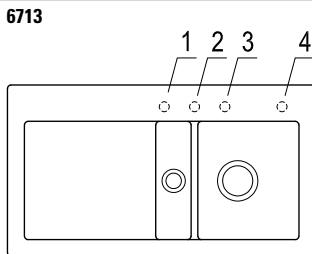
Premiumline CeramicPlus



Ref.	Optional accessories / spare parts	
8K05 10 00	Accessory set: a universal cutting board made of beech and a stainless steel salad basket	141,-
9K08 00 K1	Rolling mat, stainless steel	114,-
8K33 10 00	Cutting board walnut	149,-
8K36 10 00	Universal cutting board walnut	172,-
9624 15 LC	Cap waste cover, stainless steel, you will find more colours on page 93	35,-
8K34 00 K1	Strainer bowl, stainless steel	120,-
9K04 00 K1	Inset strainer, stainless steel	64,-
8214 00 61	Waste system, basket strainer, chrome	85,-
8215 10 00	Waste system, pop-up without Cover cap	160,-
9220 58 00	Installation kit	20,-

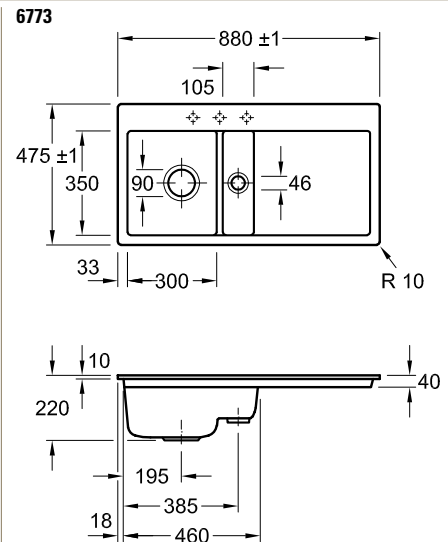
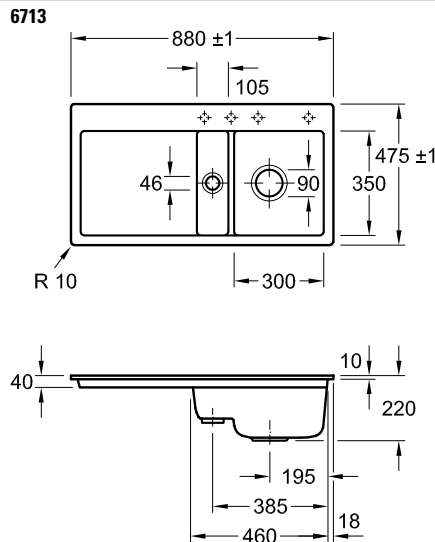


View of holes for tap fittings



When ordering, please specify the tap hole you would like us to drill for you, by using tap hole reference number (see page 2).
Diameter: ca. 35 mm
Additional charge: 9,00 €/model.

Engineering data



Please refer to the assembly instructions and cut-out dimensions of the countertop on page XX!

All dimensions in mm

SUBWAY 50 S FLAT



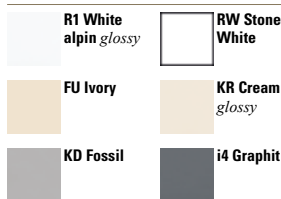
- For flush-fit installation in natural stone or artificial stone countertops
- Minimum width of undersink cabinet: 50 cm
- Minimum thickness of the countertop: min. 3 cm
- Steamer containers 1/3 and 2/3 compatible with salad basket
- Registered design
- Compatible with all soap dispensers on page 91
- Further selection of cover caps for turn lever on page 95



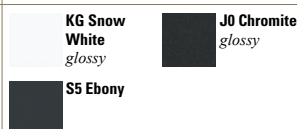
€ excl. VAT

Ref.	Description (for XX, please enter colour number)	Classicline	Premiumline
3315 1F XX	Sink inclusive Waste system, basket strainer	835,00	938,00
3315 2F XX	Sink inclusive Waste system, pop-up	929,00	1.032,00

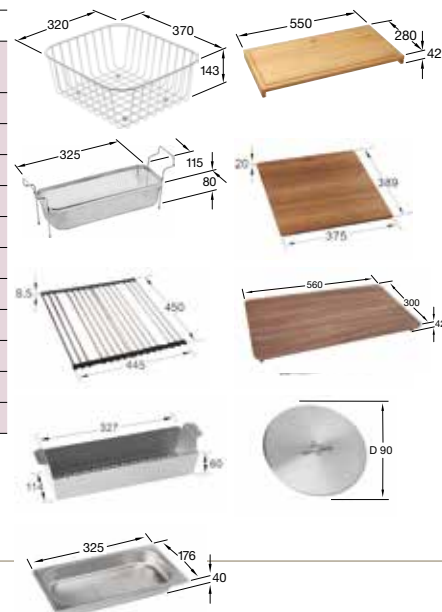
Classicline CeramicPlus



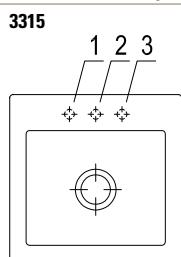
Premiumline CeramicPlus



Ref.	Optional accessories / spare parts	
8K99 10 00	Accessory set: a universal cutting board made of beech and a stainless steel salad basket	141,-
9K08 00 K1	Rolling mat, stainless steel	114,-
8K33 10 00	Cutting board walnut	149,-
8K36 10 00	Universal cutting board walnut	172,-
8299 06 K1	Steamer container 1/3, stainless steel	47,-
8299 05 K1	Steamer container 2/3, stainless steel	66,-
9624 15 LC	Cap waste cover, stainless steel, you will find more colours on page 93	35,-
8K34 00 K1	Strainer bowl, stainless steel	120,-
9K04 00 K1	Inset strainer, stainless steel	64,-
8276 00 61	Waste system, basket strainer, chrome	66,-
8286 10 00	Waste system, pop-up without Cover cap	160,-
9220 58 00	Installation kit	20,-

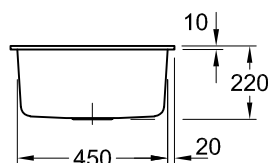
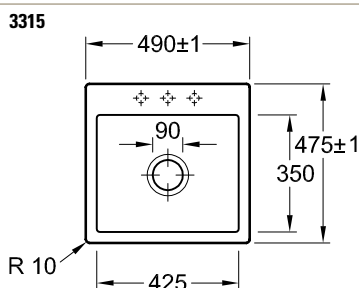


View of holes for tap fittings



When ordering, please specify the tap hole you would like us to drill for you, by using tap hole reference number (see page 2).
Diameter: ca. 35 mm
Additional charge: 9,00 €/model.

Engineering data



Please refer to the assembly instructions and cut-out dimensions of the countertop on page XXI!

TIMELINE 50 FLAT



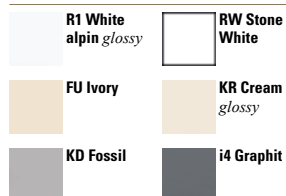
- **The sink is reversible**
- For flush-fit installation in natural stone or artificial stone countertops
- Minimum width of undersink cabinet: 50 cm
- Minimum thickness of the countertop when used with a dishwasher: min. 4 cm
- Compatible with all soap dispensers on page 91
- Further selection of cover caps for turn lever on page 95



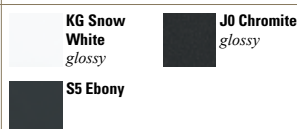
€ excl. VAT

Ref.	Description (for XX, please enter colour number)	Classicline	Premiumline
3307 1F XX	Sink inclusive Waste system, basket strainer	1.017,00	1.147,00
3307 2F XX	Sink inclusive Waste system, pop-up	1.111,00	1.241,00

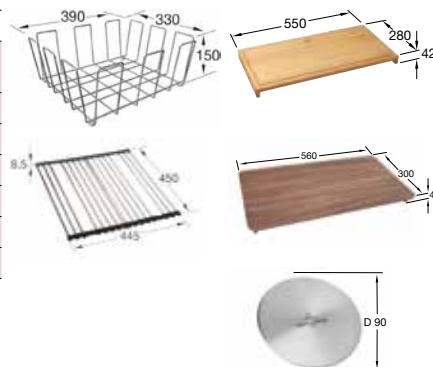
Classicline CeramicPlus



Premiumline CeramicPlus

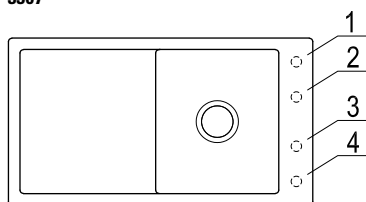


Ref.	Optional accessories / spare parts	
8K29 10 00	Accessory set: a universal cutting board made of beech and a stainless steel salad basket	141,-
9K08 00 K1	Rolling mat, stainless steel	114,-
8K36 10 00	Universal cutting board walnut	172,-
9624 15 LC	Cap waste cover, stainless steel, you will find more colours on page 93	35,-
8276 00 61	Waste system, basket strainer, chrome	66,-
8286 10 00	Waste system, pop-up without Cover cap	160,-
9220 58 00	Installation kit	20,-



View of holes for tap fittings

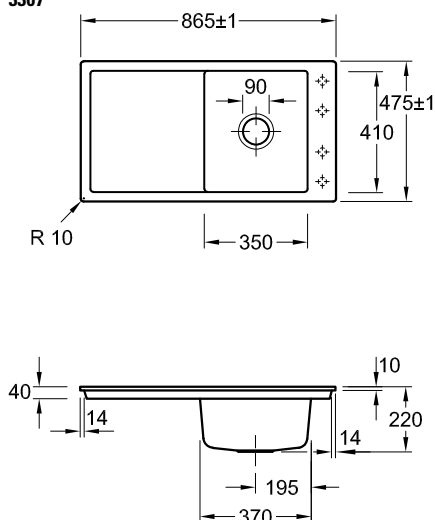
3307



When ordering, please specify the tap hole you would like us to drill for you, by using tap hole reference number (see page 2).
Diameter: ca. 35 mm
Additional charge: 9,00 €/model.

Engineering data

3307



Please refer to the assembly instructions and cut-out dimensions of the countertop on page XX!

All dimensions in mm

SILUET 45 FLAT



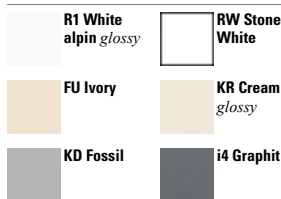
- **The sink is reversible**
- For flush-fit installation in natural stone or artificial stone countertops
- Minimum width of undersink cabinet: 45 cm
- Minimum thickness of the countertop when used with a dishwasher: min. 3 cm
- Steamer container 1/3 compatible with salad basket
- **Material: TitanCeram**
- Compatible with all soap dispensers on page 91
- Further selection of cover caps for turn lever on page 95



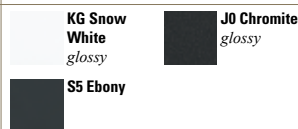
€ excl. VAT

Ref.	Description (for XX, please enter colour number)	Classicline	Premiumline
3334 1F XX	Sink inclusive Waste system, basket strainer	915,00	1.030,00
3334 2F XX	Sink inclusive Waste system, pop-up	1.009,00	1.124,00

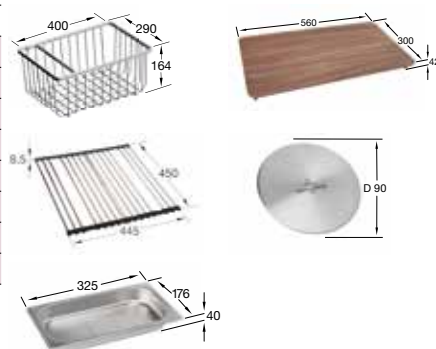
Classicline CeramicPlus



Premiumline CeramicPlus

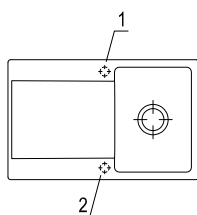


Ref.	Optional accessories / spare parts	
9K12 00 K1	Salad basket, stainless steel	192,-
9K08 00 K1	Rolling mat, stainless steel	114,-
8K36 10 00	Universal cutting board walnut	172,-
8299 06 K1	Steamer container 1/3, stainless steel	47,-
9624 15 LC	Cap waste cover, stainless steel, you will find more colours on page 93	35,-
8276 00 61	Waste system, basket strainer, chrome	66,-
8286 10 00	Waste system, pop-up without Cover cap	160,-
9220 58 00	Installation kit	20,-



View of holes for tap fittings

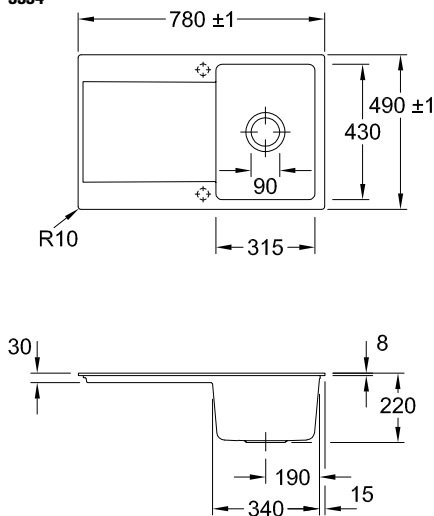
3334



When ordering, please specify the tap hole you would like us to drill for you, by using tap hole reference number (see page 2).
Diameter: ca. 35 mm
Additional charge: 9,00 €/model.

Engineering data

3334



Please refer to the assembly instructions and cut-out dimensions of the countertop on page XX!

All dimensions in mm

SUBWAY 45 FLAT



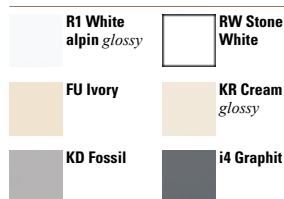
- Available with bowl on the right or left-hand side
- For flush-fit installation in natural stone or artificial stone countertops
- Minimum width of undersink cabinet: 45 cm
- Minimum thickness of the countertop when used with a dishwasher: min. 4 cm
- Registered design
- Compatible with all soap dispensers on page 91
- Further selection of cover caps for turn lever on page 95



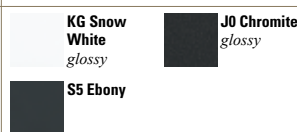
€ excl. VAT

Ref.	Description (for XX, please enter colour number)	Classicline	Premiumline
6714 1F XX	Sink bowl right inclusive Waste system, basket strainer	852,00	958,00
6772 1F XX	Sink bowl left inclusive Waste system, basket strainer	852,00	958,00
6714 2F XX	Sink bowl right inclusive Waste system, pop-up	946,00	1.052,00
6772 2F XX	Sink bowl left inclusive Waste system, pop-up	946,00	1.052,00

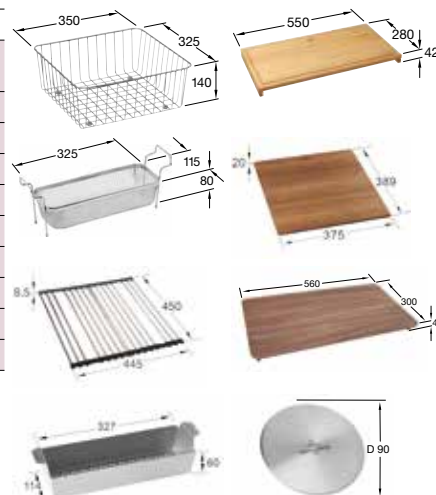
Classicline CeramicPlus



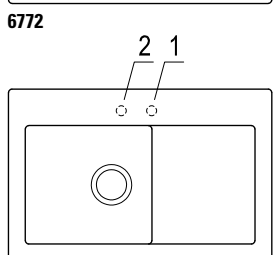
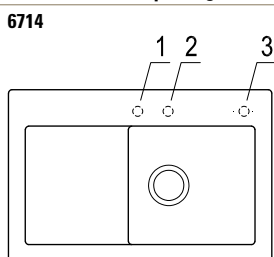
Premiumline CeramicPlus



Ref.	Optional accessories / spare parts	
8K06 10 00	Accessory set: a universal cutting board made of beech and a stainless steel salad basket	141,-
9K08 00 K1	Rolling mat, stainless steel	114,-
8K33 10 00	Cutting board walnut	149,-
8K36 10 00	Universal cutting board walnut	172,-
9624 15 LC	Cap waste cover, stainless steel, you will find more colours on page 93	35,-
8K34 00 K1	Strainer bowl, stainless steel	120,-
9K04 00 K1	Inset strainer, stainless steel	64,-
8276 00 61	Waste system, basket strainer, chrome	66,-
8286 10 00	Waste system, pop-up without Cover cap	160,-
9220 58 00	Installation kit	20,-

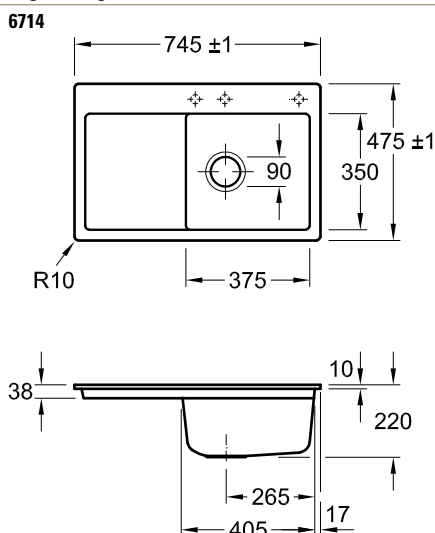


View of holes for tap fittings

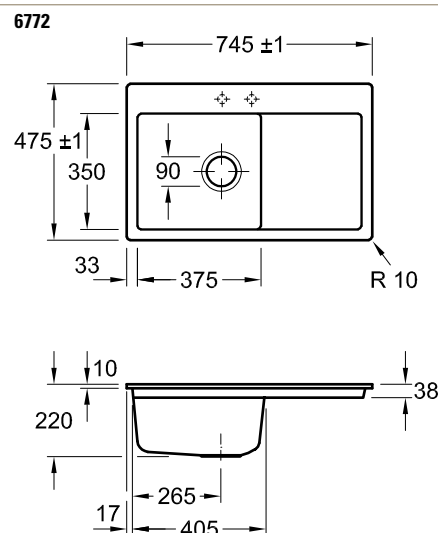


When ordering, please specify the tap hole you would like us to drill for you, by using tap hole reference number (see page 2).
Diameter: ca. 35 mm
Additional charge: 9,00 €/model.

Engineering data



Please refer to the assembly instructions and cut-out dimensions of the countertop on page XX!



All dimensions in mm

SUBWAY 45 XS FLAT

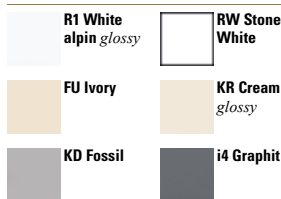


- For flush-fit installation in natural stone or artificial stone countertops
- Minimum width of undersink cabinet: 45 cm
- Minimum thickness of the countertop: min. 3 cm
- Compatible with all soap dispensers on page 91
- Further selection of cover caps for turn lever on page 95

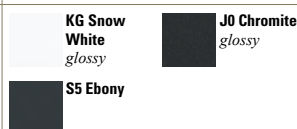


Ref.	Description (for XX, please enter colour number)	€ excl. VAT	
		Classicline	Premiumline
6781 1F XX	Sink inclusive Waste system, basket strainer	810,00	909,00
6781 2F XX	Sink inclusive Waste system, pop-up	904,00	1.003,00

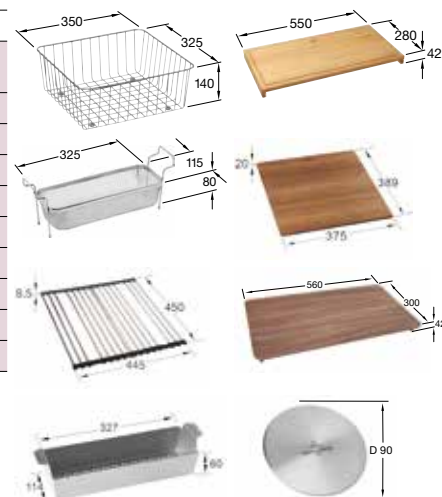
Classicline CeramicPlus



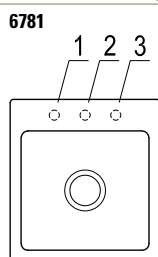
Premiumline CeramicPlus



Ref.	Optional accessories / spare parts	
8K06 10 00	Accessory set: a universal cutting board made of beech and a stainless steel salad basket	141,-
9K08 00 K1	Rolling mat, stainless steel	114,-
8K33 10 00	Cutting board walnut	149,-
8K36 10 00	Universal cutting board walnut	172,-
9624 15 LC	Cap waste cover, stainless steel, you will find more colours on page 93	35,-
8K34 00 K1	Strainer bowl, stainless steel	120,-
9K04 00 K1	Inset strainer, stainless steel	64,-
8276 00 61	Waste system, basket strainer, chrome	66,-
8286 10 00	Waste system, pop-up without Cover cap	160,-
9220 58 00	Installation kit	20,-

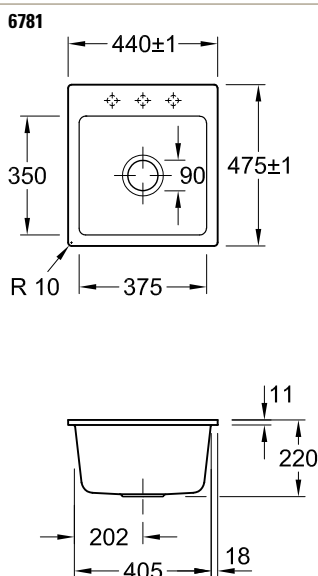


View of holes for tap fittings



When ordering, please specify the tap hole you would like us to drill for you, by using tap hole reference number (see page 2).
Diameter: ca. 35 mm
Additional charge: 9,00 €/model.

Engineering data



Please refer to the assembly instructions and cut-out dimensions of the countertop on page XXI!

All dimensions in mm

TIMELINE 45 FLAT



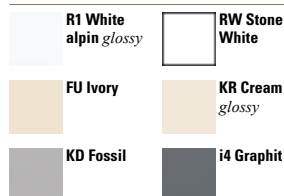
- **The sink is reversible**
- For flush-fit installation in natural stone or artificial stone countertops
- Minimum width of undersink cabinet: 45 cm
- Minimum thickness of the countertop when used with a dishwasher: min. 4 cm
- Compatible with all soap dispensers on page 91
- Further selection of cover caps for turn lever on page 95



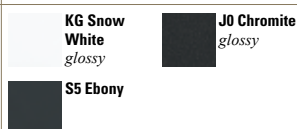
€ excl. VAT

Ref.	Description (for XX, please enter colour number)	Classicline	Premiumline
6791 1F XX	Sink inclusive Waste system, basket strainer	900,00	1.013,00
6791 2F XX	Sink inclusive Waste system, pop-up	994,00	1.107,00

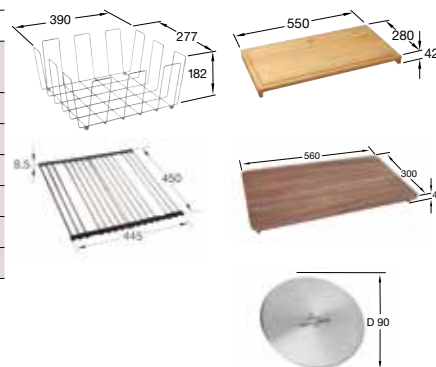
Classicline CeramicPlus



Premiumline CeramicPlus

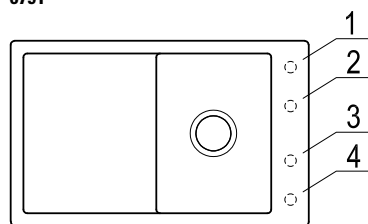


Ref.	Optional accessories / spare parts	
8K15 00 00	Accessory set: a universal cutting board made of beech and a stainless steel salad basket	141,-
9K08 00 K1	Rolling mat, stainless steel	114,-
8K36 10 00	Universal cutting board walnut	172,-
9624 15 LC	Cap waste cover, stainless steel, you will find more colours on page 93	35,-
8276 00 61	Waste system, basket strainer, chrome	66,-
8286 10 00	Waste system, pop-up without Cover cap	160,-
9220 58 00	Installation kit	20,-



View of holes for tap fittings

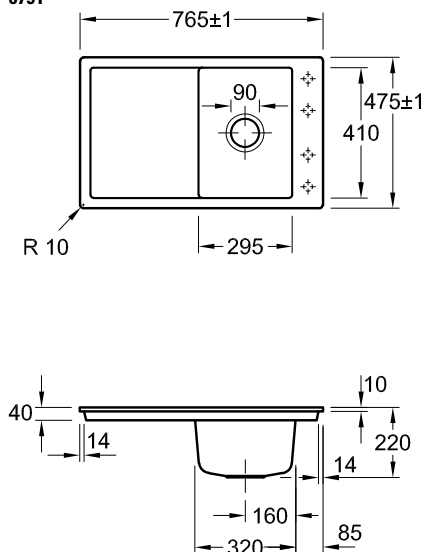
6791



When ordering, please specify the tap hole you would like us to drill for you, by using tap hole reference number (see page 2).
Diameter: ca. 35 mm
Additional charge: 9,00 €/model.

Engineering data

6791



Please refer to the assembly instructions and cut-out dimensions of the countertop on page XX!

All dimensions in mm

MONUMENTUM

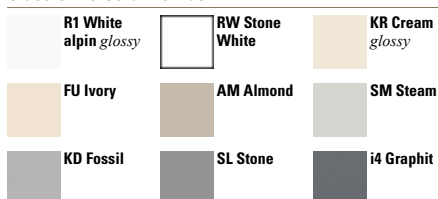


- Corner element
- Installation on a corner undersink cabinet with 90 cm side length
- Minimum width of undersink cabinet: 90 cm
- 2 basins, closable
- Compatible with all soap dispensers on page 91
- Further selection of cover caps for double turn lever on page 95

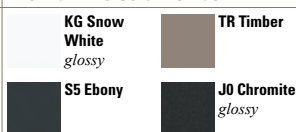


Ref.	Description (for XX, please enter colour number)	€ excl. VAT	
		Classicline	Premiumline
3303 01 XX	Corner element inclusive Waste system, basket strainer and Fastening set	1.826,00	2.070,00
3303 02 XX	Corner element inclusive Waste system, pop-up and Fastening set	1.901,00	2.145,00

Classicline CeramicPlus



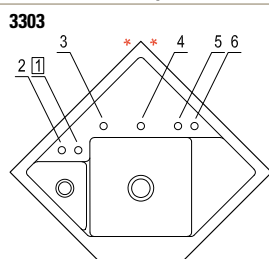
Premiumline CeramicPlus



Ref.	Optional accessories / spare parts	
9K08 00 K1	Rolling mat, stainless steel	114,-
9624 15 LC	Cap waste cover, stainless steel, you will find more colours on page 93	35,-
8K18 00 61	Waste system, basket strainer, chrome	85,-
8K19 10 00	Waste system, pop-up without Cover cap	160,-
9208 46 00	Fastening set	30,-



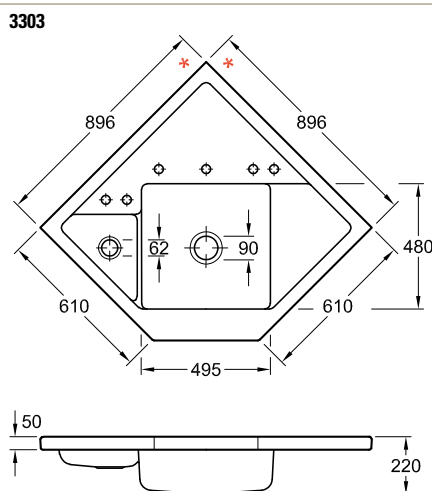
View of holes for tap fittings



When ordering, please specify the tap hole you would like us to drill for you, by using tap hole reference number (see page 2).
Diameter: ca. 35 mm
Additional charge: 9,00 €/model.

The tap holes marked with an are punched through as standard at the factory.
Hole 6 cannot be used for the pop-up waste

Engineering data



* unglazed edge
Please refer to the assembly instructions

All dimensions in mm

DOUBLE-BOWL SINK



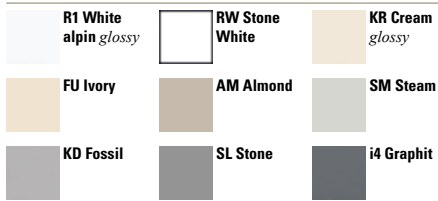
- Assembly on a vanity unit or wall-mounted
- Minimum width of undersink cabinet: 90 cm
- 2 basins, closable
- Compatible with all soap dispensers on page 91
- Further selection of cover caps for double turn lever on page 95
- **Note for planning:** The rear is unglazed



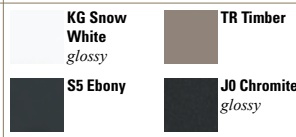
€ excl. VAT

Ref.	Description (for XX, please enter colour number)	Classicline	Premiumline	Trendline
6323 91 XX	Double-bowl sink inclusive Strainer bowl, Waste system, Round basket strainer and Fastening set for installation with cabinet	1.590,00	1.788,00	1.920,00
6323 92 XX	Double-bowl sink inclusive Strainer bowl, Waste system, Round pop-up and Fastening set for installation with cabinet	1.665,00	1.863,00	1.995,00

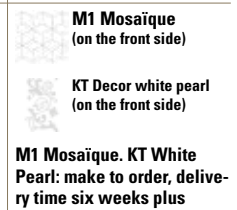
Classicline CeramicPlus



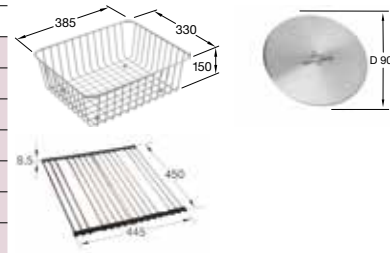
Premiumline CeramicPlus



Trendline CeramicPlus



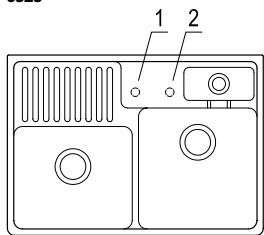
Ref.	Optional accessories / spare parts	
8341 00 K1	Salad basket, Angular for double-bowl sink 6323, stainless steel	140,-
9K08 00 K1	Rolling mat, stainless steel	114,-
9624 15 LC	Cap waste cover, stainless steel, you will find more colours on page 93	35,-
8323 00 K2	Strainer bowl, transparent	52,-
8262 00 61	Waste system, basket strainer, chrome	85,-
8232 10 00	Waste system, pop-up without Cover cap	160,-
9208 49 00	Fastening set for installation with cabinet	48,-
9208 47 00	Fastening set for wall-mounting without cabinet	132,-



MODULES / CORNER SINKS

View of holes for tap fittings

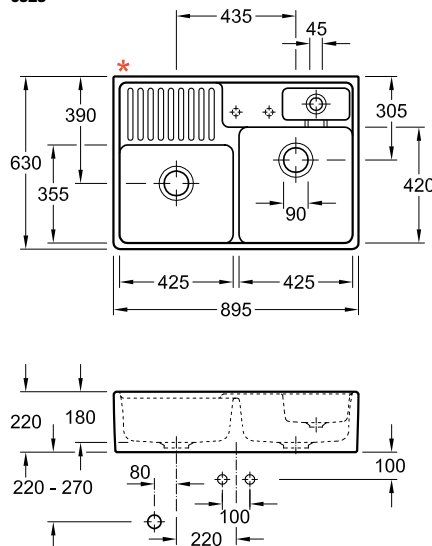
6323



When ordering, please specify the tap hole you would like us to drill for you, by using tap hole reference number (see page 2).
Diameter: ca. 35 mm
Additional charge: 9,00 €/model.

Engineering data

6323



* unglazed edge
Please refer to the assembly instructions

All dimensions in mm

SINGLE-BOWL SINK



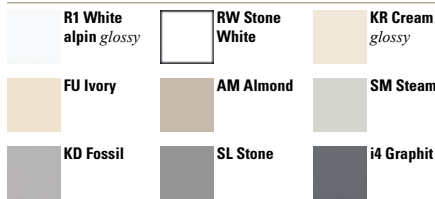
- Assembly on a vanity unit or wall-mounted
- Minimum width of undersink cabinet: 60 cm
- Compatible with the soap dispenser 9236 20 on page XX
- Further selection of cover caps for turn lever on page 95
- **Note for planning:** The rear is unglazed



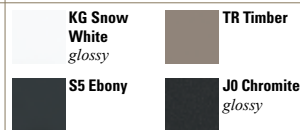
€ excl. VAT

Ref.	Description (for XX, please enter colour number)	Classicline	Premiumline	Trendline
6320 61 XX	Single-bowl Sink inclusive Waste system, basket strainer and Fastening set for installation with cabinet	917,00	1.025,00	1.097,00
6320 62 XX	Single-bowl Sink inclusive Waste system, pop-up and Fastening set for installation with cabinet	1.011,00	1.119,00	1.191,00

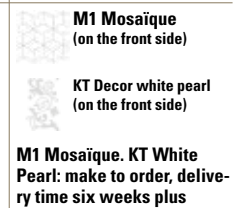
Classicline CeramicPlus



Premiumline CeramicPlus



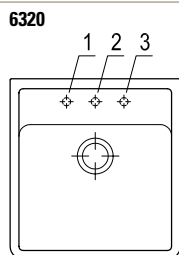
Trendline CeramicPlus



Ref.	Optional accessories / spare parts	
9K08 00 K1	Rolling mat, stainless steel	114,-
9624 15 LC	Cap waste cover, stainless steel, you will find more colours on page 93	35,-
8270 00 61	Waste system, basket strainer, chrome	66,-
8233 10 00	Waste system, pop-up without Cover cap	160,-
9208 49 00	Fastening set for installation with cabinet	48,-
9208 47 00	Fastening set for wall-mounting without cabinet	132,-

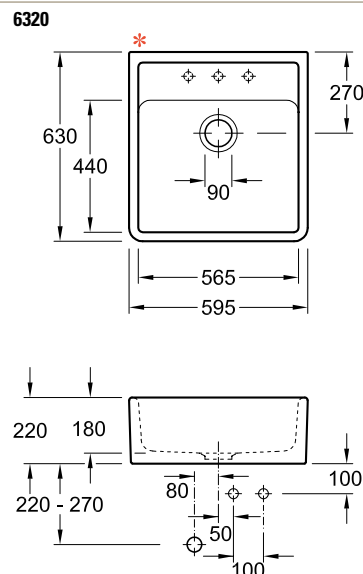


View of holes for tap fittings



When ordering, please specify the tap hole you would like us to drill for you, by using tap hole reference number (see page 2).
Diameter: ca. 35 mm
Additional charge: 9,00 €/model.

Engineering data



* unglazed edge
Please refer to the assembly instructions

All dimensions in mm

FARMHOUSE 90 X



- Assembly on a vanity unit
- Installation in natural or artificial stone countertops recommended
- Minimum width of undersink cabinet: 90 cm
- 2 basins, closable
- **Note for planning:** The rear is unglazed and the projection is 55 cm. Overhang varies depending on the furniture manufacturer.
- Compatible with all soap dispensers on page 91
- Further selection of cover caps for double turn lever on page 95



Ref.	Description (for XX, please enter colour number)	€ excl. VAT	
		Classicline	Premiumline
6390 01 XX	Double-bowl Sink inclusive Waste system, basket strainer	1.241,00	1.398,00
6390 02 XX	Double-bowl Sink inclusive Waste system, pop-up	1.319,00	1.476,00

Classicline CeramicPlus



Premiumline CeramicPlus



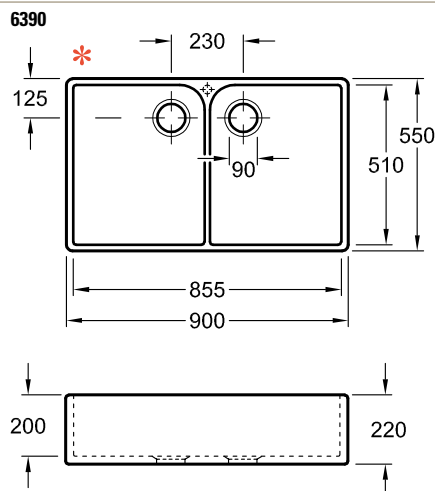
Ref.	Optional accessories / spare parts	
9624 15 LC	Cap waste cover, stainless steel, you will find more colours on page 93	35,-
8223 00 61	Waste system, basket strainer, chrome	114,-
8226 10 00	Waste system, pop-up without Cover cap	192,-



MODULES / CORNER SINKS

View of holes for tap fittings

Engineering data



* unglazed edge
Please refer to the assembly instructions

All dimensions in mm

FARMHOUSE 80 X



- Assembly on a vanity unit
- Installation in natural or artificial stone countertops recommended
- Minimum width of undersink cabinet: 80 cm
- 2 basins, closable
- **Note for planning:** The rear is unglazed and the projection is 50 cm. Overhang varies depending on the furniture manufacturer.
- Compatible with all soap dispensers on page 91
- Further selection of cover caps for double turn lever on page 95



Ref.	Description (for XX, please enter colour number)	€ excl. VAT	
		Classicline	Premiumline
6380 01 XX	Double-bowl Sink inclusive Waste system, basket strainer	1.036,00	1.162,00
6380 02 XX	Double-bowl Sink inclusive Waste system, pop-up	1.114,00	1.240,00

Classicline CeramicPlus



Premiumline CeramicPlus

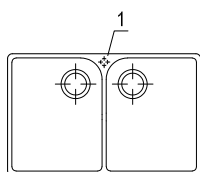


Ref.	Optional accessories / spare parts	
9624 15 LC	Cap waste cover, stainless steel, you will find more colours on page 93	35,-
8223 00 61	Waste system, basket strainer, chrome	114,-
8226 10 00	Waste system, pop-up without Cover cap	192,-



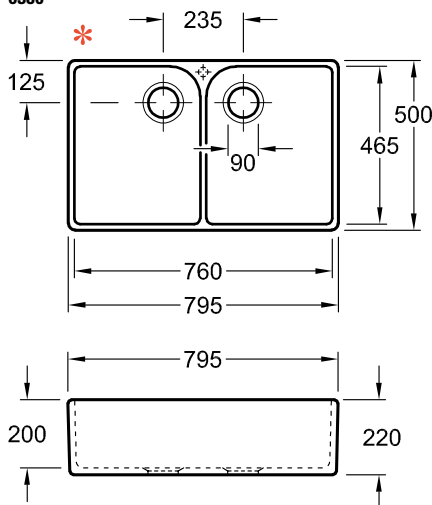
View of holes for tap fittings

6380



Engineering data

6380



* unglazed edge

Please refer to the assembly instructions

All dimensions in mm

FARMHOUSE 60 X



- Assembly on a vanity unit
- Installation in natural or artificial stone countertops recommended
- Minimum width of undersink cabinet: 60 cm
- **Note for planning:** The rear is unglazed and the projection is 50 cm. Overhang varies depending on the furniture manufacturer.
- Compatible with all soap dispensers on page 91
- Further selection of cover caps for turn lever on page 95



Ref.	Description (for XX, please enter colour number)	€ excl. VAT	
		Classicline	Premiumline
6360 01 XX	Single-bowl Sink inclusive Waste system, basket strainer	777,00	871,00
6360 02 XX	Single-bowl Sink inclusive Waste system, pop-up	871,00	965,00

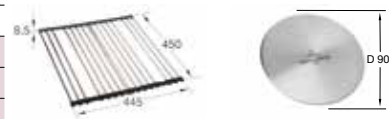
Classicline CeramicPlus



Premiumline CeramicPlus

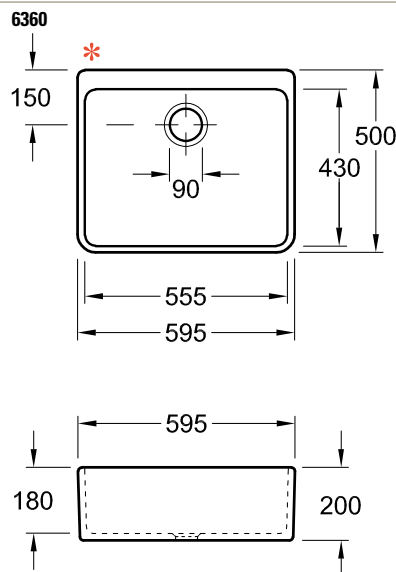


Ref.	Optional accessories / spare parts	
9K08 00 K1	Rolling mat, stainless steel	114,-
9624 15 LC	Cap waste cover, stainless steel, you will find more colours on page 93	35,-
8270 00 61	Waste system, basket strainer, chrome	66,-
8286 10 00	Waste system, pop-up without Cover cap	160,-



View of holes for tap fittings

Engineering data



* unglazed edge
Please refer to the assembly instructions

All dimensions in mm

ARENA CORNER

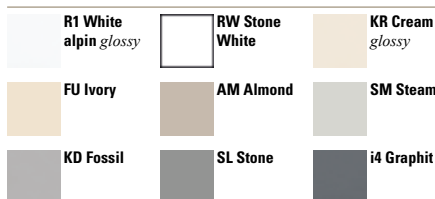


- Corner sink
- For surface-mounted installation
- Installation on a corner undersink cabinet with 90 cm side length
- Registered design
- Further selection of cover caps for turn lever on page 95

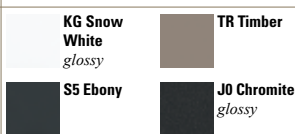


Ref.	Description (for XX, please enter colour number)	€ excl. VAT	
		Classicline	Premiumline
6729 01 XX	Corner sink with additional outlet in the draining board inclusive Strainer bowl and Waste system, basket strainer	1.263,00	1.419,00
6729 02 XX	Corner sink with additional outlet in the draining board inclusive Strainer bowl and Waste system, pop-up	1.338,00	1.494,00

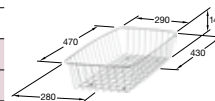
Classicline CeramicPlus



Premiumline CeramicPlus

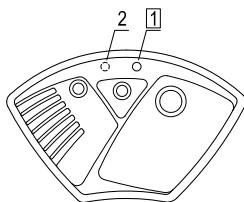


Ref.	Optional accessories / spare parts	
8349 00 K1	Salad basket, stainless steel	140,-
9624 15 LC	Cap waste cover, stainless steel, you will find more colours on page 93	35,-
9837 00 K2	Strainer bowl, transparent	56,-
8248 00 61	Waste system, basket strainer, chrome	85,-
8249 10 00	Waste system, pop-up without Cover cap	160,-



View of holes for tap fittings

6729

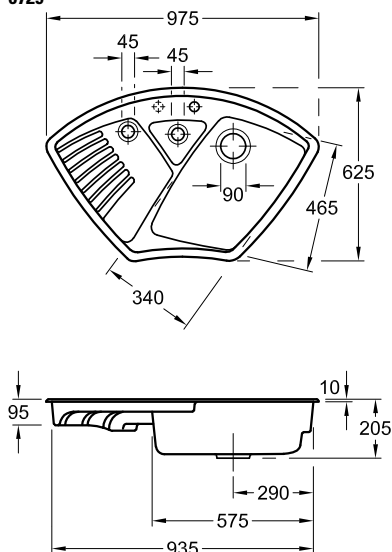


When ordering, please specify the tap hole you would like us to drill for you, by using tap hole reference number (see page 2).
Diameter: ca. 35 mm
Additional charge: 9,00 €/model.

The tap holes marked with an are punched through as standard at the factory.

Engineering data

6729



Please refer to the assembly instructions
Required size of worktop: see attached template (Ref. 9307 22 A0)

All dimensions in mm

SOLO CORNER

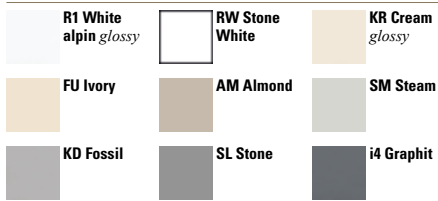


- Corner sink
- For surface-mounted installation
- Installation on a corner undersink cabinet with 90 cm side length
- 2 basins, closable
- Registered design
- Further selection of cover caps for double turn lever on page 95

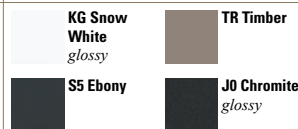


Ref.	Description (for XX, please enter colour number)	€ excl. VAT	
		Classicline	Premiumline
6708 01 XX	Corner Sink inclusive Waste system, basket strainer and Strainer bowl	1.087,00	1.218,00
6708 02 XX	Corner Sink inclusive Waste system, pop-up and Strainer bowl	1.157,00	1.288,00

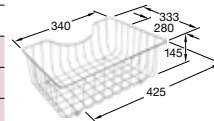
Classicline CeramicPlus



Premiumline CeramicPlus



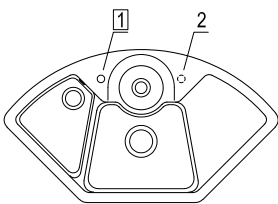
Ref.	Optional accessories / spare parts	
8K09 00 K1	Salad basket, stainless steel	140,-
9624 15 LC	Cap waste cover, stainless steel, you will find more colours on page 93	35,-
9888 50 K2	Strainer bowl, transparent	54,-
8K80 00 61	Waste system, basket strainer, chrome	81,-
8K81 10 00	Waste system, pop-up without Cover cap	151,-



MODULES / CORNER SINKS

View of holes for tap fittings

6708

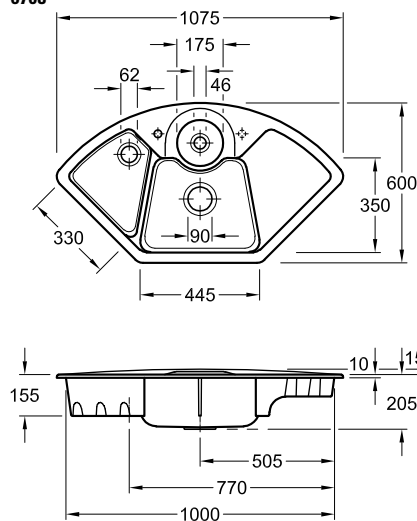


When ordering, please specify the tap hole you would like us to drill for you, by using tap hole reference number (see page 2).
Diameter: ca. 35 mm
Additional charge: 9,00 €/model.

The tap holes marked with an □ are punched through as standard at the factory.

Engineering data

6708



Please refer to the assembly instructions
Required size of worktop: see attached template (Ref. 9307 B3 A5)

All dimensions in mm

KITCHEN TAPS ADVANTAGES

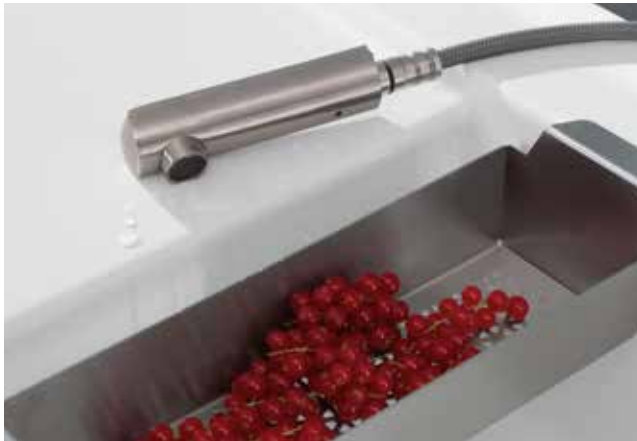
INTELLIGENT DETAILS FOR SOPHISTICATED KITCHENS

Ranging from traditional to modern, Villeroy & Boch premium kitchen taps are available in a wide variety of styles. Perfectly matched to the design of your kitchen sink, they offer maximum functionality and perfect comfort for every room. Discover the many advantages of our taps series and benefit from our unique quality.



COLOURFUL DESIGNS

Our taps are perfectly matched to the kitchen sinks. 5 lightfast colours are available for selected collections and add the finishing touch to a harmonious colour scheme.



HIGH-QUALITY MATERIAL

Thanks to premium stainless steel, the taps are more robust, rust-proof, easy to clean, lead-free and durable. The components inside are sourced from European market leaders.



MAXIMUM COMFORT

Additional functions, such as a retractable hand shower, different types of water jet and low-pressure solutions, offer maximum comfort in everyday use.



OPTIMUM INSTALLATION

Solutions for installation directly in front of the window and external connectors ensure quick and easy installation in every situation.

TAPS

AVIA 2.0

Avia 2.0



Stainless steel

Gold

Bronze

Anthracite

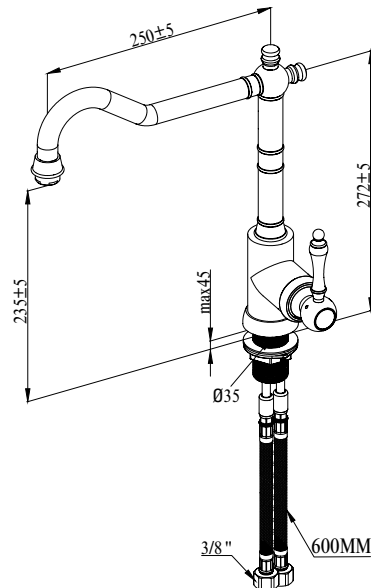
Ref.	Description	€ excl. VAT
9240 00 LC	Stainless steel	472,-
9240 00 03	Gold	613,-
9240 00 04	Bronze	613,-
9240 00 05	Anthracite	613,-

Soap dispensers in matching colours are available for these taps on page 91, cap valve covers are to be found on page 93, cover caps for the overflow on page 103 and cover caps for turn knobs on page 104.

Engineering data

9240 00

- Material: stainless steel
- Cartridge material: plastic, ceramics
- Swivel range: 360°
- Opening angle of lever: 25°
- Tap can be installed directly in front of a wall as the water temperature is regulated within a 90° range towards the sink
- Flow rate: 11,2 l/Min
- Flexible connection hoses, length 600 mm



COMO / COMO SHOWER

Como



Ref.	Description	€ excl. VAT
9251 00 LC	Stainless steel	309,-
9251 00 LE	Stainless steel polished	309,-

Como Shower

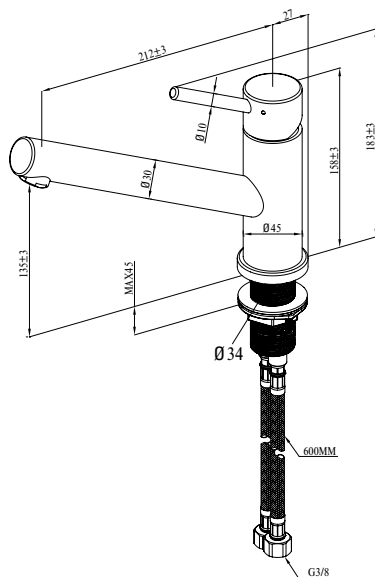


Ref.	Description	€ excl. VAT
9252 00 LC	Stainless steel	413,-
9252 00 LE	Stainless steel polished	413,-

Engineering data

9251 00

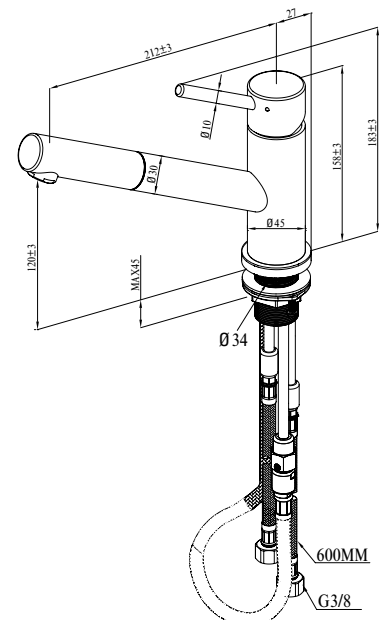
- Material: stainless steel
- Cartridge material: plastic, ceramics
- Swivel range: 360°
- Opening angle of lever: 25°
- Flow rate: 15,3 l/Min
- Flexible connection hoses, length 600 mm



Engineering data

9252 00

- Material: stainless steel
- Cartridge material: plastic, ceramics
- Swivel range: 360°
- Opening angle of lever: 25°
- Shower hose: integrated, retractable, length 1800 mm
- Flow rate: 12,6 l/Min
- Flexible connection hoses, length 600 mm



COMO SKY / COMO SKY SHOWER

Como Sky



Ref.	Description	€ excl. VAT
9278 00 LC	Stainless steel	430,-
9278 00 LE	Stainless steel polished	430,-

Como Sky Shower

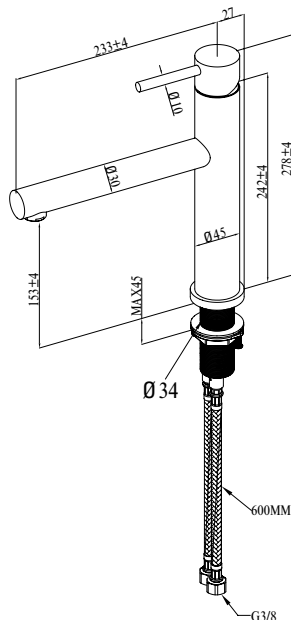


Ref.	Description	€ excl. VAT
9279 00 LC	Stainless steel	531,-
9279 00 LE	Stainless steel polished	531,-

Engineering data

9278 00

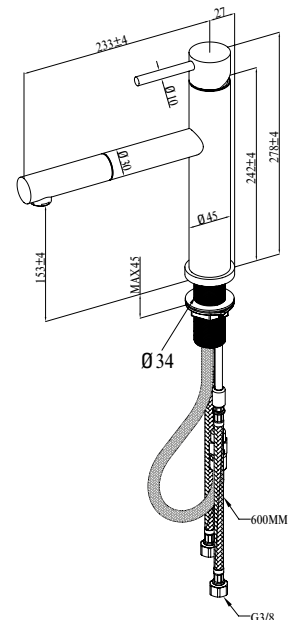
- Material: stainless steel
- Cartridge material: plastic, ceramics
- Swivel range: 120°
- Opening angle of lever: 25°
- Flow rate: 9,4 l/Min
- Flexible connection hoses, length 600 mm
- Adjustable aerator



Engineering data

9279 00

- Material: stainless steel
- Cartridge material: plastic, ceramics
- Swivel range: 120°
- Opening angle of lever: 25°
- Shower hose: integrated, retractable, length 1800 mm
- Flow rate: 7,8 l/Min
- Flexible connection hoses, length 600 mm
- Adjustable aerator



COMO SWITCH / COMO WINDOW / COMO SHOWER WINDOW

Como Switch



Ref.	Description	€ excl. VAT
9272 00 LC	Stainless steel	521,-
9272 00 LE	Stainless steel polished	521,-

Como Window



Ref.	Description	€ excl. VAT
9257 00 LC	Stainless steel	387,-

Como Shower Window

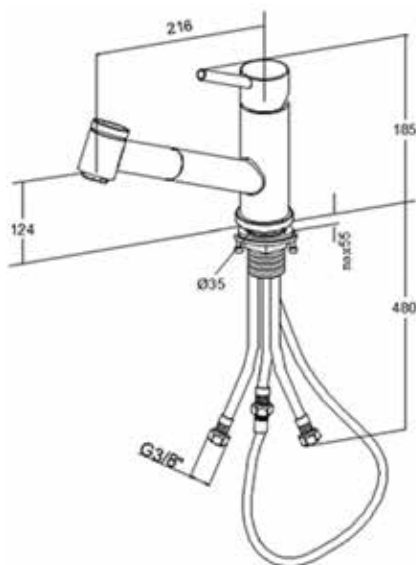


Ref.	Description	€ excl. VAT
9258 00 LC	Stainless steel	516,-

Engineering data

9272 00

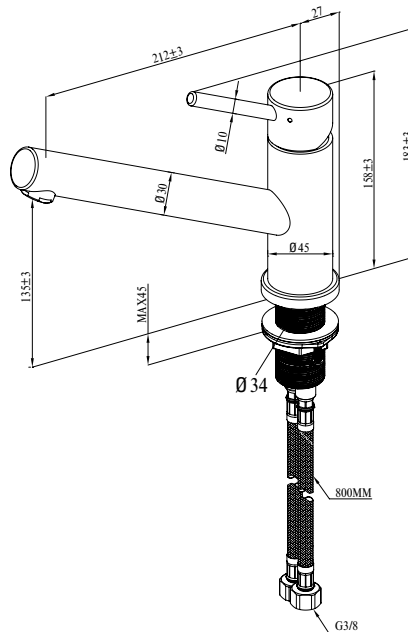
- Material: stainless steel
- Cartridge material: plastic, ceramics
- Swivel range: 360°
- Opening angle of lever: 25°
- Shower hose: integrated, retractable, length 1800 mm
- Hand-held spray with two spray modes
- Flow rate: 7,8 l/Min
- Flexible connection hoses, length 600 mm



Engineering data

9257 00

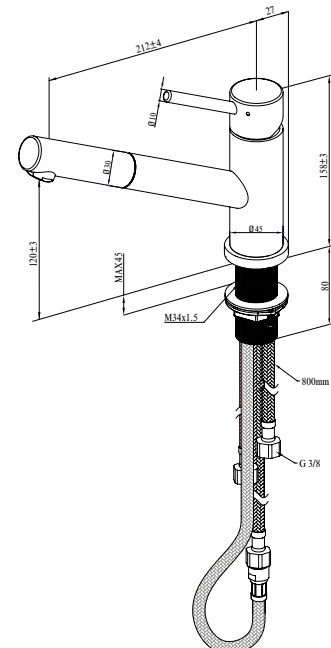
- Material: stainless steel
- Cartridge material: plastic, ceramics
- Swivel range: 120°
- Opening angle of lever: 25°
- Flow rate: 14,8 l/Min
- Flexible connection hoses, length 800 mm
- Height of base with extended tap: 35 mm
- Space is required in or next to the sink to allow use of window feature



Engineering data

9258 00

- Material: stainless steel
- Cartridge material: plastic, ceramics
- Swivel range: 120°
- Opening angle of lever: 25°
- Shower hose: integrated, retractable, length 1500 mm
- Flow rate: 8,6 l/Min
- Flexible connection hoses, length 800 mm
- Height of base with extended tap: 35 mm
- Retraction of and shower by means of hose weight
- Space is required in or next to the sink to allow use of window feature



COMO X

Como X

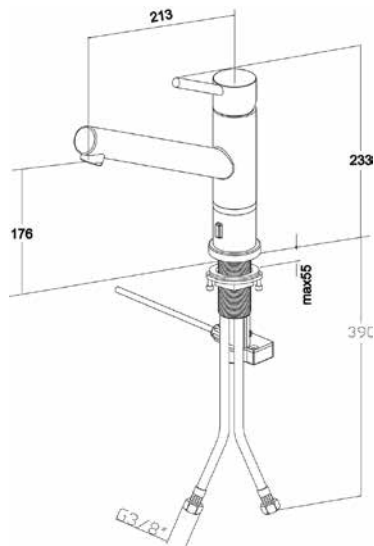


Ref.	Description	€ excl. VAT
9275 00 LC	Stainless steel	434,-

Engineering data

9275 00

- Material: stainless steel
- Cartridge material: plastic, ceramics
- Swivel range: 360°
- Opening angle of lever: 25°
- Flow rate: 12,1 l/Min
- Flexible connection hoses, length 800 mm
- Kitchen tap equipped with an integrated pop-up turn knob
- Opening / closing the pop-up waste with the ring on the tap
- No tap hole on the sink required for the pop-up turn knob
- Please order a sink with a pop-up waste system
- Allow sufficient space between kitchen sink and connection box for pop-up waste



FINERA / FINERA SQUARE

Finera



Ref.	Description	€ excl. VAT
9270 00 LC	Stainless steel	463,-
9270 00 03	Gold	550,-
9270 00 04	Bronze	550,-
9270 00 05	Anthracite	550,-

Finera Square



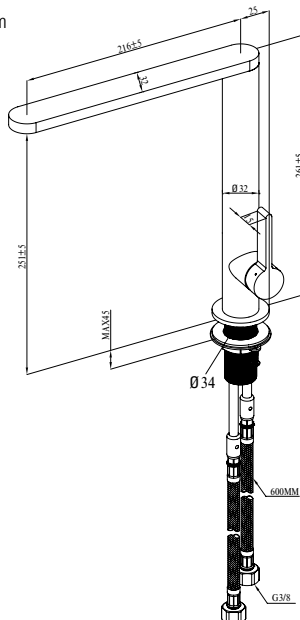
Ref.	Description	€ excl. VAT
9271 00 LC	Stainless steel	463,-

Soap dispensers in matching colours are available for these taps on pages 99/100, cap valve covers are to be found on page 102, cover caps for the overflow on page 103 and cover caps for turn knobs on page 104.

Engineering data

9270 00

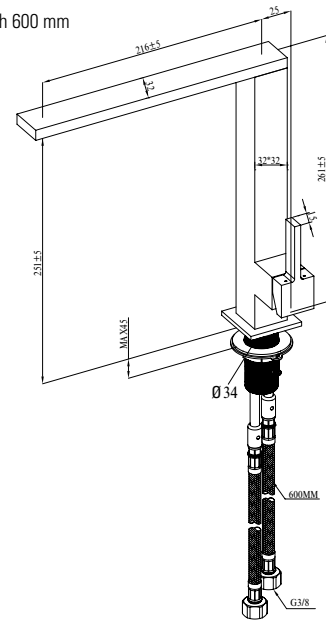
- Material: stainless steel
- Cartridge material: plastic, ceramics
- Swivel range: 360°
- Opening angle of lever: 25°
- Please note: tap must not be installed directly in front of a wall as the water temperature is regulated 45° to the rear and 45° towards the front of the sink
- Flow rate: 10,5 l/Min
- Flexible connection hoses, length 600 mm
- Adjustable aerator



Engineering data

9271 00

- Material: stainless steel
- Cartridge material: plastic, ceramics
- Swivel range: 360°
- Opening angle of lever: 25°
- Please note: tap must not be installed directly in front of a wall as the water temperature is regulated 45° to the rear and 45° towards the front of the sink
- Flow rate: 10,5 l/Min
- Flexible connection hoses, length 600 mm
- Adjustable aerator



FINERA SLOPE / FINERA SLOPE SQUARE

Finera Slope



Ref.	Description	£ excl. VAT
9276 00 LC	Stainless steel	463,-

Finera Slope Square

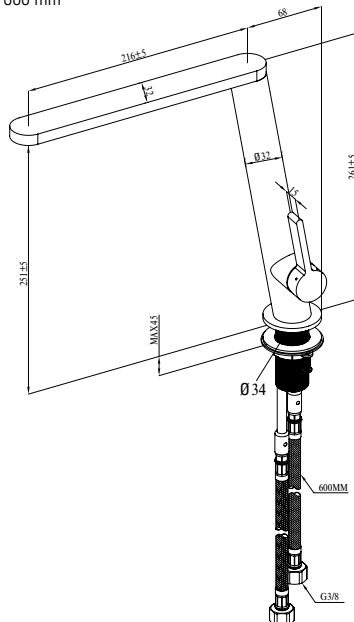


Ref.	Description	£ excl. VAT
9277 00 LC	Stainless steel	463,-

Engineering data

9276 00

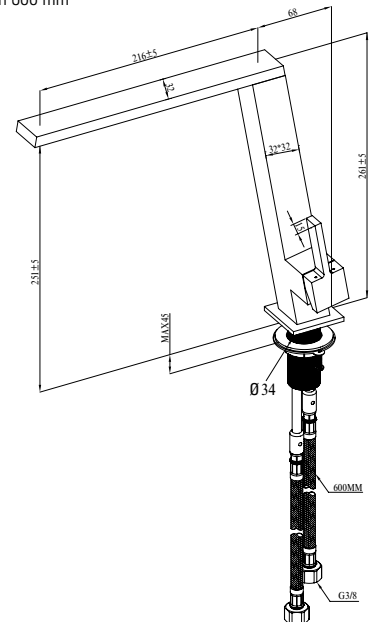
- Material: stainless steel
- Cartridge material: plastic, ceramics
- Opening angle of lever: 25°
- Please note: tap must not be installed directly in front of a wall as the water temperature is regulated 45° to the rear and 45° towards the front of the sink
- Flow rate: 10,5 l/Min
- Flexible connection hoses, length 600 mm
- Adjustable aerator



Engineering data

9277 00

- Material: stainless steel
- Cartridge material: plastic, ceramics
- Opening angle of lever: 25°
- Please note: tap must not be installed directly in front of a wall as the water temperature is regulated 45° to the rear and 45° towards the front of the sink
- Flow rate: 10,5 l/Min
- Flexible connection hoses, length 600 mm
- Adjustable aerator



MODERN STEEL

Modern Steel



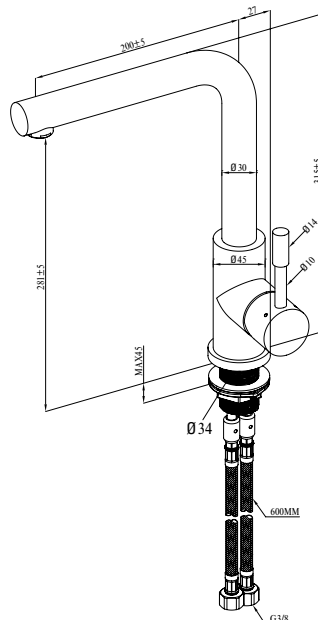
Ref.	Description	€ excl. VAT
9668 01 LC	Stainless steel	537,-
9668 01 05	Anthracite	622,-
9668 01 LE	Stainless steel polished	537,-

Soap dispensers in matching colours are available for these taps on pages 99/100, cap valve covers are to be found on page 102, cover caps for the overflow on page 103 and cover caps for turn knobs on page 104.

Engineering data

9668 01

- Material: stainless steel
- Cartridge material: plastic, ceramics
- Swivel range: 360°
- Opening angle of lever: 25°
- Taps can be installed directly in front of a wall as the water temperature is regulated within a 90° range towards the sink
- Flow rate: 11,5 l/Min
- Flexible connection hoses, length 600 mm



SORANO / SORANO SHOWER

Sorano



Ref.	Description	€ excl. VAT
9266 00 LC	Stainless steel	334,-

Sorano Shower

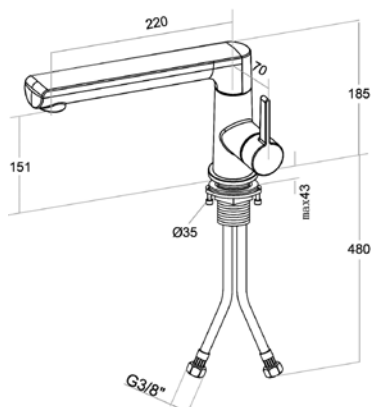


Ref.	Description	€ excl. VAT
9268 00 LC	Stainless steel	441,-

Engineering data

9266 00

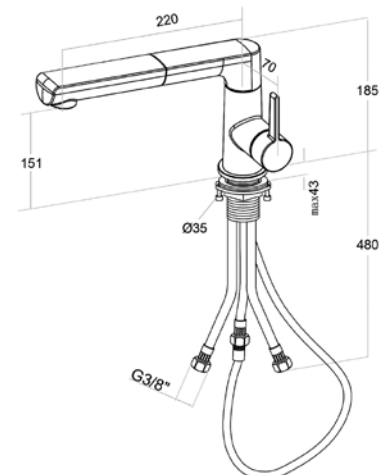
- Material: stainless steel
- Cartridge material: plastic, ceramics
- Swivel range: 120°
- Opening angle of lever: 25°
- Please note: tap must not be installed directly in front of a wall as the water temperature is regulated 45° to the rear and 45° towards the front of the sink
- Flow rate: 13,3 l/Min
- Flexible connection hoses, length 600 mm
- Adjustable aerator



Engineering data

9268 00

- Material: stainless steel
- Cartridge material: plastic, ceramics
- Swivel range: 120°
- Opening angle of lever: 25°
- Please note: tap must not be installed directly in front of a wall as the water temperature is regulated 45° to the rear and 45° towards the front of the sink
- Flow rate: 13,3 l/Min
- Shower hose: integrated, retractable, length 1800 mm
- Flexible connection hoses, length 600 mm
- Adjustable aerator



SORANO SKY / SORANO SKY SHOWER

Sorano Sky



Ref.	Description	€ excl. VAT
9267 00 LC	Stainless steel	425,-

Sorano Sky Shower

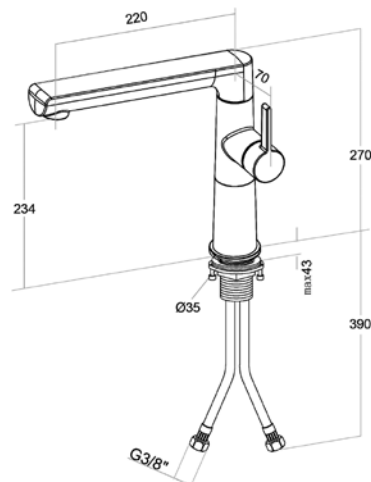


Ref.	Description	€ excl. VAT
9269 00 LC	Stainless steel	523,-

Engineering data

9267 00

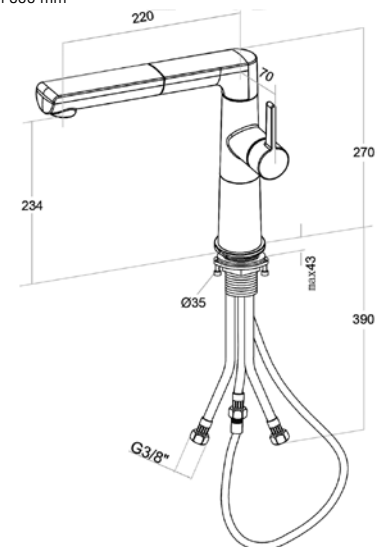
- Material: stainless steel
- Cartridge material: plastic, ceramics
- Swivel range: 120°
- Opening angle of lever: 25°
- Please note: tap must not be installed directly in front of a wall as the water temperature is regulated 45° to the rear and 45° towards the front of the sink
- Flow rate: 13,3 l/Min
- Flexible connection hoses, length 600 mm
- Adjustable aerator



Engineering data

9269 00

- Material: stainless steel
- Cartridge material: plastic, ceramics
- Swivel range: 120°
- Opening angle of lever: 25°
- Please note: tap must not be installed directly in front of a wall as the water temperature is regulated 45° to the rear and 45° towards the front of the sink
- Shower hose: integrated, retractable, length 1800 mm
- Flexible connection hoses, length 600 mm
- Adjustable aerator



STEEL EXPERT / STEEL EXPERT COMPACT

Steel Expert



Ref.	Description	€ excl. VAT
9265 00 LC	Stainless steel	634,-
9265 00 05	Anthracite	803,-

Steel Expert Compact



New features:

- **Laminar jet:** A clear and gentle jet of water virtually eliminates splashing.
- **Magnetic holder:** Simple means of fixing the hand shower in place.
- **Memory feature:** The most recently selected spray mode is maintained until it is changed by hand.



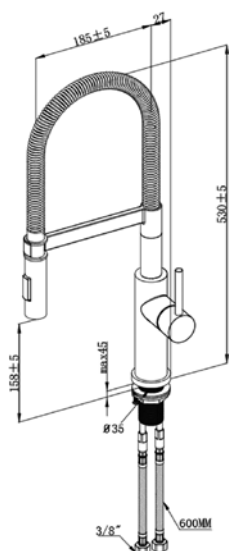
Ref.	Description	€ excl. VAT
9273 00 LC	Stainless steel	608,-
9273 00 05	Anthracite	790,-

Soap dispensers in matching colours are available for these taps on pages 99/100, cap valve covers are to be found on page 102, cover caps for the overflow on page 103 and cover caps for turn knobs on page 104.

Engineering data

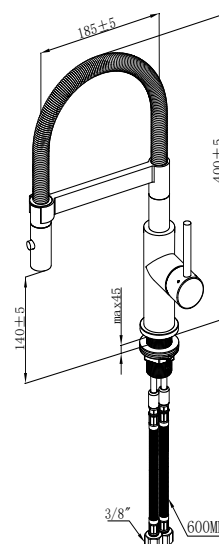
9265 00

- Material: stainless steel
- Cartridge material: plastic, ceramics
- Swivel range: 360°
- Opening angle of lever: 25°
- Please note: tap must not be installed directly in front of a wall as the water temperature is regulated 45° to the rear and 45° towards the front of the sink
- Hand shower with two spray functions
- Flow rate aerated jet: 7.6 l/min
- Flow rate spray jet: 6.4 l/min
- Flexible connection hoses, length 600 mm
- Flexible hand shower



9273 00

- Material: stainless steel
- Cartridge material: plastic, ceramics
- Swivel range: 360°
- Opening angle of lever: 25°
- Please note: tap must not be installed directly in front of a wall as the water temperature is regulated 45° to the rear and 45° towards the front of the sink
- Hand shower with two spray functions
- Flow rate laminar jet: 5.4 l/min
- Flow rate spray jet: 4.8 l/min
- Flexible connection hoses, length 600 mm
- Flexible hand shower



STEEL SHOWER

Steel Shower

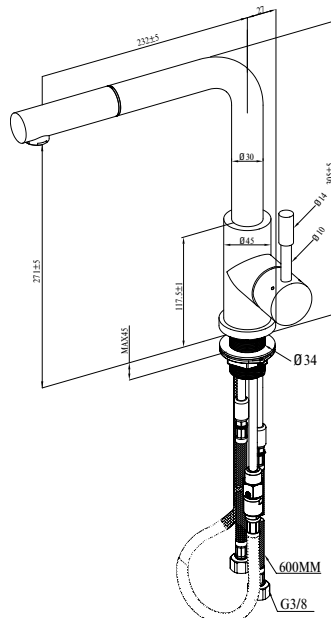


Ref.	Description	€ excl. VAT
9697 01 LC	Stainless steel	580,-
9697 01 05	Anthracite	671,-

Engineering data

9697 01

- Material: stainless steel
- Cartridge material: plastic, ceramics
- Swivel range: 360°
- Opening angle of lever: 25°
- Tap can be installed directly in front of a wall as the water temperature is regulated within a 90° range towards the sink
- Shower hose: integrated, retractable, length 1800 mm
- Flow rate: 11,7 l/Min
- Flexible connection hoses, length 600 mm



UMBRELLA / UMBRELLA FLEX

Umbrella



Ref.	Description	£ excl. VAT
9253 00 LC	Stainless steel	441,-
9253 00 LE	Stainless steel polished	441,-
9253 00 03	Gold	524,-
9253 00 04	Bronze	524,-
9253 00 05	Anthracite	524,-

Umbrella Flex



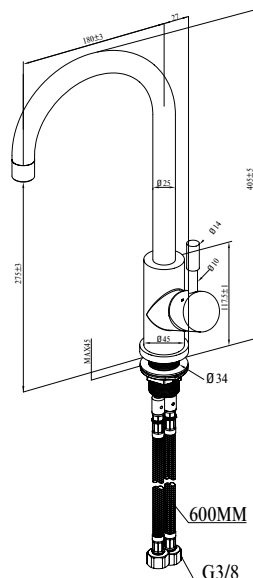
Ref.	Description	£ excl. VAT
9254 00 LC	Stainless steel	535,-
9254 00 LE	Stainless steel polished	535,-
9254 00 03	Gold	636,-
9254 00 04	Bronze	636,-
9254 00 05	Anthracite	636,-

Soap dispensers in matching colours are available for these taps on pages 99/100, cap valve covers are to be found on page 102, cover caps for the overflow on page 103 and cover caps for turn knobs on page 104.

Engineering data

9253 00

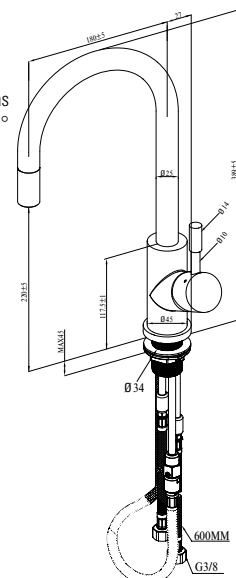
- Material: stainless steel
- Cartridge material: plastic, ceramics
- Swivel range: 360°
- Opening angle of lever: 25°
- Tap can be installed directly in front of a wall as the water temperature is regulated within a 90° range towards the sink
- Flow rate: 16,0 l/Min
- Flexible connection hoses, length 600 mm



Engineering data

9254 00

- Material: stainless steel
- Cartridge material: plastic, ceramics
- Swivel range: 360°
- Opening angle of lever: 25°
- Tap can be installed directly in front of a wall as the water temperature is regulated within a 90° range towards the sink
- Shower hose: integrated, retractable, length 1800 mm
- Flow rate: 11,5 l/Min
- Flexible connection hoses, length 600 mm



SOAP DISPENSER

Soap dispenser



Ref.	Description	€ excl. VAT
9236 10 LC	Stainless steel	140,-
9236 10 LE	Stainless steel polished	140,-

Soap dispenser



Ref.	Description	€ excl. VAT
9236 20 LC	Stainless steel	161,-
9236 20 03	Gold	188,-
9236 20 04	Bronze	188,-
9236 20 05	Anthracite	188,-

Soap dispenser

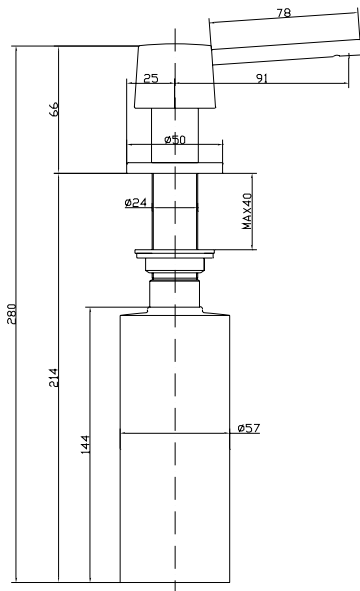


Ref.	Description	€ excl. VAT
9236 30 LC	Stainless steel	172,-

Engineering data

9236 10

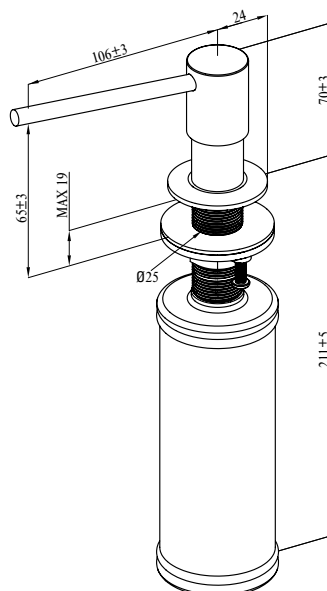
- Material: stainless steel (head and holder)
- Filling quantity: 250 ml



Engineering data

9236 20

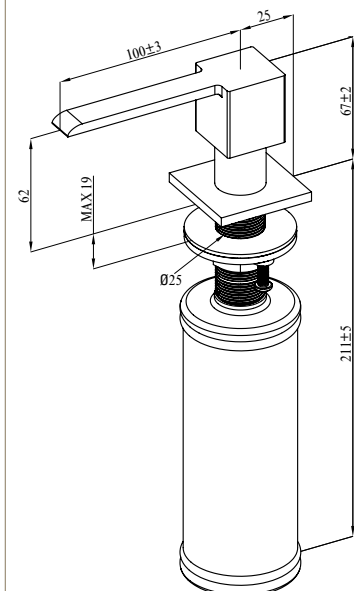
- Material: stainless steel (head), plastic (holder)
- Filling quantity: 250 ml
- Container, soap dispenser: diameter 55 mm



Engineering data

9236 30

- Material: stainless steel (head), plastic (holder)
- Filling quantity: 250 ml
- Container, soap dispenser: diameter 55 mm



HIGH QUALITY ACCESSORIES FROM VILLEROY & BOCH

In hardly any other room of the house are materials subjected to the stresses found in the kitchen. That's why Villeroy & Boch has extremely strict standards for the quality of the materials it uses. Work's more fun with the right equipment: So customise your sink to suit your requirements by adding accessories such as wire baskets or strainers, hanging bowls or chopping boards. This makes it possible to better coordinate each step of the process.



Stainless steel **hanging bowl** and walnut (real-wood veneer with compact core) **cutting board** complement each other to perfection for even greater comfort when preparing food.



Roll-up rack made of stainless steel – convenient for draining dishes.



Cap waste cover made of stainless steel
Attractive cap waste cover, can be used in any Villeroy & Boch sink, dishwasher-safe.



Inset strainer made of stainless steel
Practical when preparing and cooking food.



Wire basket made of stainless steel
Practical protection when doing the dishes.



Universal cutting board
Stays in place for comfortable working at the sink, draining board or worktop.



Variety of pop-up wastes suitable for your taps
Available in a matt or high-gloss finish as well as in the new metallic colours.



Selection of stainless steel soap dispensers
Elegant solution for soap or washing-up liquid.

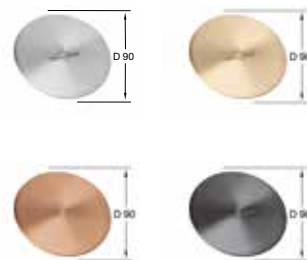
ACCESSORIES

Cap waste cover

Stainless steel, universally applicable
 Gold, universally applicable
 Bronze, universally applicable
 Anthracite, universally applicable

Reference € excl. VAT

9624 15 LC	35,-
9624 15 03	46,-
9624 15 04	46,-
9624 15 05	46,-



Rolling mat, stainless steel

universally applicable

9K08 00 K1	114,-
-------------------	-------



Universal cutting board made of beech

For sinks: 3304, 3305, 3306, 3307, 3309, 3312, 3313, 3315, 3345, 3346, 3350, 3360, 3365, 6712, 6713, 6714, 6718, 6719, 6726, 6732, 6745, 6759, 6770, 6772, 6773, 6778, 6780, 6781, 6790, 6791

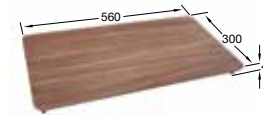
8K00 10 00	121,-
-------------------	-------



Universal cutting board walnut

For sinks: 3304, 3305, 3306, 3307, 3309, 3312, 3313, 3315, 3345, 3346, 3350, 3360, 3365, 6712, 6713, 6714, 6718, 6719, 6726, 6732, 6745, 6759, 6770, 6772, 6773, 6778, 6780, 6781, 6790, 6791, 3336, 3335, 3334, 3380, 3337

8K36 10 00	172,-
-------------------	-------



Cutting board walnut

For the subway sinks: 3309, 3312, 3313, 3315, 6712, 6713, 6714, 6718, 6719, 6770, 6772, 6773, 6780, 6781

8K33 10 00	149,-
-------------------	-------



Steamer container 1/3, stainless steel

For sinks: 3336, 3335, 3334, 3315, 6758, 3365, 3337

8299 06 K1	47,-
-------------------	------



Steamer container 2/3, stainless steel

For sinks: 3336, 3315, 6758

8299 05 K1	66,-
-------------------	------



ACCESSORIES

ACCESSORIES

	Reference	€ excl. VAT	
--	-----------	-------------	--

Strainer bowl, stainless steel

For sinks: 3309, 3312, 3313, 3315, 6712, 6713, 6714, 6718, 6719, 6770, 6772, 6773, 6780, 6781	8K34 00 K1	120,-	
---	-------------------	-------	--



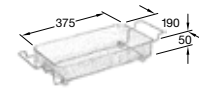
Inset strainer, stainless steel

For sinks: 3309, 3312, 3313, 3315, 3345, 3346, 6712, 6713, 6714, 6718, 6719, 6770, 6772, 6773, 6780, 6781	9K04 00 K1	64,-	
---	-------------------	------	--



Inset strainer, stainless steel

For sinks: 3345, 3350, 3360, 3365, 6726, 6732, 6745, 6759, 6792, 3380	8345 47 K1	126,-	
---	-------------------	-------	--



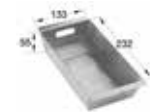
Strainer bowl, stainless steel

For sinks: 3305, 3306	8K24 00 K1	98,-	
-----------------------	-------------------	------	--



Strainer bowl, stainless steel

For sinks: 3304	8K23 00 K1	120,-	
-----------------	-------------------	-------	--



Cover cap for overflow

Gold	8299 10 03	18,-	
Bronze	8299 10 04	18,-	
Anthracite	8299 10 05	18,-	



ACCESSORIES

Reference € excl. VAT

Cover cap for turn lever, round



Stainless steel Stainless steel polished Gold Bronze Anthracite

Art. Nr.	Description	€ excl. VAT
9405 26 L7	Stainless steel	38,-
9405 26 61	Stainless steel polished	38,-
9405 26 03	Gold	108,-
9405 26 04	Bronze	108,-
9405 26 05	Anthracite	108,-

Cover cap for double turn lever, round



Stainless steel Stainless steel polished Gold Bronze Anthracite

Art. Nr.	Description	€ excl. VAT
9405 25 L7	Stainless steel	38,-
9405 25 61	Stainless steel polished	38,-
9405 25 03	Gold	108,-
9405 25 04	Bronze	108,-
9405 25 05	Anthracite	108,-

Cover cap for turn lever, angular



Stainless steel Stainless steel polished

Art. Nr.	Description	€ excl. VAT
9405 36 L7	Stainless steel	38,-
9405 36 61	Stainless steel polished	38,-

Cover cap for double turn lever, angular



Stainless steel Stainless steel polished

Art. Nr.	Description	€ excl. VAT
9405 35 L7	Stainless steel	38,-
9405 35 61	Stainless steel polished	38,-

ACCESSORIES

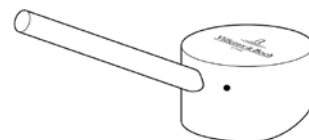
	Reference	€ excl. VAT	
Salad basket, stainless steel			
for Arena Corner 6729	8349 00 K1	140,-	NOTE: For ranges that have already been discontinued, please contact Customer Service
for Cisterna 60C 6706, Subway 60 SU 3310	8397 00 K1	140,-	
for Cisterna 60B 6702, Siluet 50 S <i>flat</i> 3345, Subway 50 S 3315, Subway 50 S <i>flat</i> 3315, Subway 60 XU 6758, Architectura 50 3350	9841 00 K1	140,-	
for Cisterna 50 6703, Subway 50 SU 3325	9849 00 K1	140,-	
for Cisterna 45 6704, Condor 50 6732, Subway 45 SU 3324	9850 00 K1	140,-	
for Architectura 60XR 3365, Condor 45 6745	8331 00 K1	140,-	
for Condor 60 6759	8395 00 K1	140,-	
for Solo Corner 6708	8K09 00 K1	140,-	
for Subway 80 6726	8K07 00 K1	140,-	
for Subway 60 6712/6772, Subway 60 <i>flat</i> 6712/6772, Subway 60 XM 6780, Subway 60 XM <i>flat</i> 6780	8K04 00 K1	140,-	
for Siluet 60 S <i>flat</i> 3346, Subway 60 XL 6719/6718, Subway 60 XL <i>flat</i> 6719/6718, Subway 60 S 3309, Subway 60 S <i>flat</i> 3309	8K31 00 K1	140,-	
for Subway 50 6713/6773, Subway 50 <i>flat</i> 6713/6773	8K05 00 K1	140,-	
for Subway 45 6714/6772, Subway 45 <i>flat</i> 6714/6772, Subway 45 XS 6781, Subway 45 XS <i>flat</i> 6781, Subway 45 <i>Compact</i> 3313/3312	8K06 00 K1	140,-	
for Double-bowl sink 6323	8341 00 K1	140,-	
for Timeline 60 6790, Timeline 60 <i>flat</i> 6790, Architectura 60 3360	8K12 00 K1	140,-	
for Timeline 50 3307, Timeline 50 <i>flat</i> 3307	9K09 00 K1	140,-	
for Timeline 45 6791, Timeline 45 <i>flat</i> 6791	8K13 00 K1	140,-	
for Siluet 60 3336, Siluet 60 <i>flat</i> 3336	9K10 00 K1	214,-	
for Siluet 50 3335, Siluet 50 <i>flat</i> 3335, Siluet 60 R 3337, Siluet 60 R <i>flat</i> 3337	9K11 00 K1	203,-	
for Siluet 45 3334, Siluet 45 <i>flat</i> 3334	9K12 00 K1	192,-	
Installation kit			
for single-bowl sink without draining board	9220 58 00	20,-	

SPARE PARTS FOR KITCHEN TAPS

	Reference	€ excl. VAT
Tap handle for Avia 2.0		
Stainless steel	9240 80 LC	76,-
Gold	9240 80 03	76,-
Bronze	9240 80 04	76,-
Anthracite	9240 80 05	76,-

Tap handle for Como / Como Shower / Como Window / Como Shower Window / Como Switch / Como X

Stainless steel	9251 80 LC	78,-
Stainless steel polishedshed	9251 80 LE	78,-



Tap handle for Como Sky / Como Shower Sky

Stainless steel	9278 80 LC	78,-
Stainless steel polishedshed	9278 80 LE	78,-

Tap handle for Finera / Finera Slope

Stainless steel	9270 80 LC	75,-
Gold	9270 80 03	78,-
Bronze	9270 80 04	78,-
Anthracite	9270 80 05	78,-

Tap handle for Finera Square / Finera Square Slope

Stainless steel	9271 80 LC	75,-
-----------------	------------	------

Tap handle for Sorano / Sorano Shower / Sorano Sky / Sorano Sky Shower

Stainless steel	9266 80 LC	76,-
-----------------	------------	------

Tap handle for Steel Expert

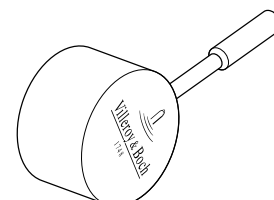
Stainless steel	9265 80 LC	78,-
Anthracite	9265 80 05	78,-

Tap handle for Steel Expert Compact

Stainless steel	9273 80 LC	78,-
Anthracite	9273 80 05	78,-

Tap handle for Steel Shower / Modern Steel

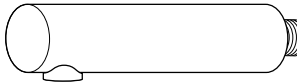
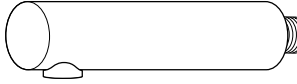

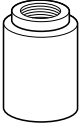
Stainless steel	9668 80 LC	75,-
Stainless steel polishedshed	9668 80 LE	75,-
Anthracite	9668 80 05	78,-



Tap handle for Umbrella / Umbrella Flex

Stainless steel	9253 80 LC	75,-
Stainless steel polishedshed	9253 80 LE	75,-
Gold	9253 80 03	78,-
Bronze	9253 80 04	78,-
Anthracite	9253 80 05	78,-

SPARE PARTS FOR KITCHEN TAPS

	Reference	€ excl. VAT	
Spray for Como Shower / Como Shower Window			
Acier massif	9252 05 LC	102,-	
Acier massif polished	9252 05 LE	102,-	
Spray for Como Shower Sky			
Acier massif	9279 05 LC	102,-	
Acier massif polished	9279 05 LE	102,-	
Spray for Sorano Shower / Sorano Sky Shower			
Acier massif	9268 05 LC	102,-	
Spray for Steel Shower			
Acier massif	9697 05 LC	91,-	
Anthracite	9697 05 05	102,-	
Spray for Umbrella Flex			
Acier massif	9253 05 LC	75,-	
Acier massif polished	9253 05 LE	75,-	
Gold	9253 05 03	102,-	
Bronze	9253 05 04	102,-	
Anthracite	9253 05 05	102,-	
Spray for Como Switch			
Acier massif	9272 05 LC	130,-	
Acier massif polished	9272 05 LE	130,-	
Spray for Steel Expert			
Acier massif	9265 05 LC	108,-	
Anthracite	9265 05 05	113,-	
Spray for Steel Expert Compact			
Acier massif	9273 05 LC	102,-	
Anthracite	9273 05 05	102,-	
Control Box for Como X			
	8299 03 00	44,-	
Container for soap dispenser 9236 20 and 9236 30			
	9236 25 00	50,-	

CARE INSTRUCTIONS

Care instructions

Easy-care beyond compare



You have chosen a quality product from Villeroy & Boch – the perfect solution for kitchens with character. Ceramic is a natural material that harmonises with all materials in the kitchen. The numerous advantages of ceramics that arise from the interplay between carefully selected raw materials and state-of-the-art production technology will already be familiar to you from other areas, such as tableware, tiles and bathroom ceramics. Villeroy & Boch has managed to further improve the outstanding properties of this material: CeramicPlus, the ceramic material with the unique easy-care surface that simply stays cleaner. It is so smooth that there are hardly any places where water and dirt can cling, so they drain away immediately. Even most stubborn stains, such as from tea, beetroot or red wine, and lime scale can be easily removed. It's a real help in the kitchen, because it means less work and less cleaning agents are required. And it's not a miracle but the result of our 270 years of experience with ceramics. Various tests simulating long-term use have demonstrated CeramicPlus's lasting resistance to soiling (when the care instructions are duly observed). The high quality and outstanding properties of CeramicPlus have also been confirmed in tests carried out by the independent IST Fraunhofer Institut in Braunschweig. In addition, the material properties are also systematically tested and monitored in the Villeroy & Boch laboratory. With the purchase of this product made from CeramicPlus – as with all products from Villeroy & Boch – you are getting an item of impeccable quality.

We hope that your easy-care ceramics will give you a lot of pleasure.

Cleaning and care of your kitchen ceramics

With its innovative new surface, CeramicPlus sets new standards in hygiene and ease of care. Now, scrubbing, scouring and scratching are a thing of the past. All it takes is a regular wipe with a soft, damp cloth and a mild cleaning agent. To ensure that the easy-care properties of your kitchen ceramics last as long as possible while allowing you to fully benefit from the many advantages offered by CeramicPlus, please observe the following care instructions.

Regular care of your kitchen ceramics

For regular care of your kitchen ceramics, we recommend always using a soft, non-abrasive sponge or cloth. It is best – particularly where limescale is an issue – to use a standard washing-up liquid or a vinegar-based cleaning agent (e.g. Frosch Vinegar cleaner from Erdal Rex).

Dealing with heavier soiling

Below you will find a few examples of cleaning agents that, when used in accordance with the manufacturers' recommendations, will help preserve the quality of your kitchen ceramics over the long term. Because kitchen ceramics are harder than metal, metallic items can occasionally leave marks on ceramic surfaces. Marks of this kind should only be removed using one of the mild cleaning agents listed in the table.

Applications (according to manufacturer's recommendations)	Examples
Regular cleaning and care	All-purpose cleaners, e.g.: Viss kitchen cleaner (Lever), Der General Professional (Henkel) Vinegar-based cleaners, e.g.: Frosch Vinegar cleaner (Erdal Rex), all commercial washing-up liquids
Anorganic dirt (e.g. limescale)	Lime solvents, e.g.: Sidol anti-limescale (Henkel), Viakal (Procter & Gamble) Vinegar-based cleaners, e.g.: Frosch Vinegar cleaner (Erdal Rex)
Grease	Grease remover, e.g.: Sidol kitchen cleaner (Henkel) Vinegar-based cleaners, e.g.: Frosch Vinegar cleaner (Erdal Rex)

Your attention is particularly drawn to the fact that aggressive cleaning agents (see below) can scratch ceramic surfaces and can harm or (if used regularly) even destroy the special properties of CeramicPlus.

- Scouring creams or powders
- Concentrated drain cleaners
- Tap and steel cleaners

For this reason we recommend avoiding the use of these cleaning agents completely. If on occasion it should be necessary to use drain cleaning chemicals or metal cleansers, direct contact with the kitchen ceramics should be avoided.

Thanks to the exceptional easy-care properties of CeramicPlus, you will achieve fresh cleanliness and optimum hygiene without the need for aggressive cleaning agents.

* The care instructions can also be ordered for customers under article number 9211 J6 A1.

INSTRUCTIONS FOR SURFACE-MOUNTED INSTALLATION

Sinks	Ref.	Countertop cutout
ARCHITECTURA 50	3350	83.0 x 48.0 cm
ARCHITECTURA 60	3360	97.0 x 48.0 cm
ARCHITECTURA 60 XR	3365	97.0 x 48.0 cm
ARCHITECTURA 80	3380	113.0 x 48.0 cm
ARENA Corner	6729	see attached template (Ref. 9307 22 A0)
CONDOR 45	6745	76.0 x 47.0 cm
CONDOR 50	6744	82.5 x 47.0 cm
CONDOR 60	6759	97.0 x 47.0 cm
FLAVIA 45	3306	77.0 x 48.0 cm
FLAVIA 50	3305	87.0 x 48.0 cm
FLAVIA 60	3304	98.0 x 48.0 cm
SILUET 45	3334	77.0 x 48.0 cm
SILUET 50	3335	87.0 x 48.0 cm
SILUET 50 S	3345	48,0 x 48,0 cm
SILUET 60	3336	97.0 x 48.0 cm
SILUET 60 R	3337	97.0 x 48.0 cm
SILUET 60 S	3346	57,0 x 48,0 cm
SOLO Corner	6708	see attached template (Ref. 9307 B3 A5)
SUBWAY 45	6714/6772	74.0 x 48.0 cm
SUBWAY 45 Compact	3313/3312	62.0 x 48.0 cm
SUBWAY 50	6713/6773	88.0 x 48.0 cm
SUBWAY 50 S	3315	49.5 x 48.0 cm
SUBWAY 60	6712/6770	97.0 x 48.0 cm
SUBWAY 60 XL	6719/6718	97.0 x 48.0 cm
SUBWAY 80	6726	113.0 x 48.0 cm
SUBWAY XM	6780	59.0 x 48.0 cm
SUBWAY 45 XS	6781	44.5 x 48.0 cm
SUBWAY 60 S	3309	57.0 x 48.0 cm
TIMELINE 45	6791	77.0 x 48.0 cm
TIMELINE 50	3307	87.0 x 48.0 cm
TIMELINE 60	6790	97.0 x 48.0 cm

Knocking out the tap holes

PLEASE NOTE

Examine the sink for damage BEFORE INSTALLATION.

Only install a sink that is in perfect condition.

IMPORTANT! Always wear protective goggles and suitable protective clothing when knocking out the tap hole!

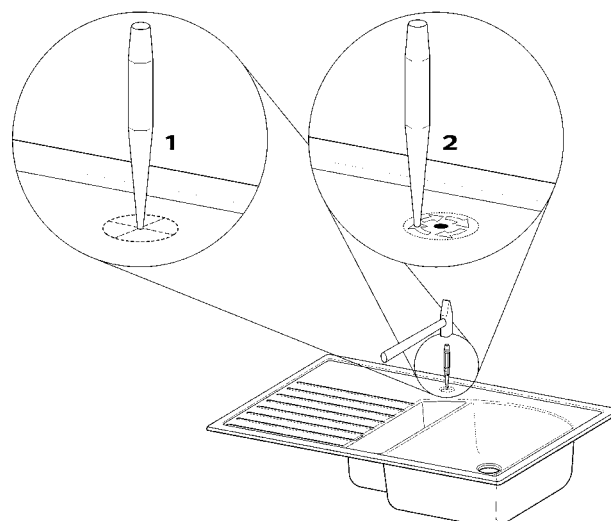
BEFORE INSTALLATION knock out the taps holes required as follows:

- Carefully transfer the centre of the tap hole required from the lower side of the sink onto the glazed upper side and mark.

Only ever knock a tap hole through from the GLAZED UPPER SIDE OF THE SINK, NEVER FROM THE LOWER SIDE!

- Use suitable tools (e.g. hammer and centre punch) to knock the pre-punched tap hole out from above.

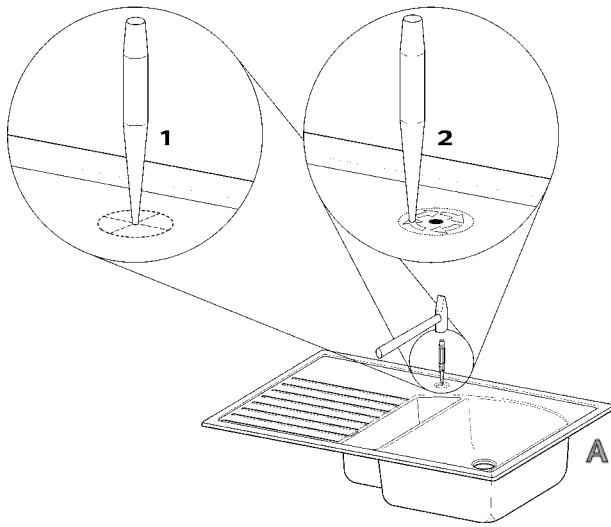
Position the punch initially in the centre of the tap hole. Then widen to the diameter required. Please be very careful not to damage the glaze around the tap hole.



INSTRUCTIONS FOR SURFACE-MOUNTED INSTALLATION

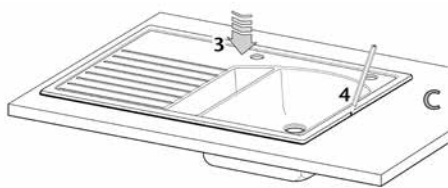
Installation of surface-mounted sinks with the option of dismantling without causing any damage

A Carefully pierce the required tap holes from the glazed side (!) using a hammer and, if necessary, a punch.

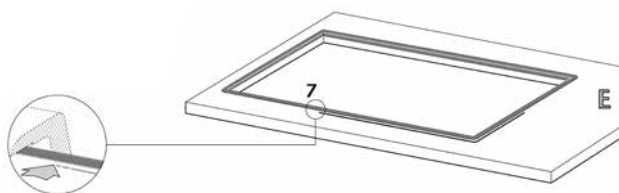


C Insert and align sink.

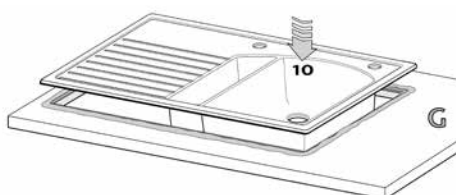
Draw around the outer contour of the sink on the worktop.



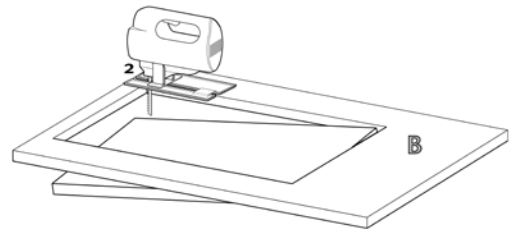
E Remove the outline of the sink drawn onto the worktop, clean the edge of the sink.



G Insert and align sink.

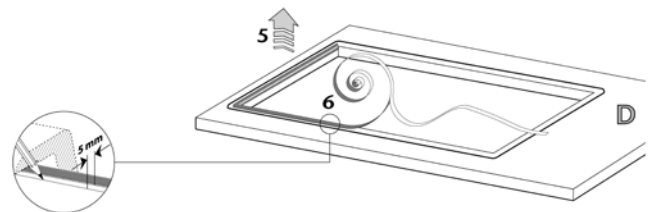


B Cut hole in worktop as required or using the template supplied. Clean the cut-out edge and remove any shavings.



D Remove sink.

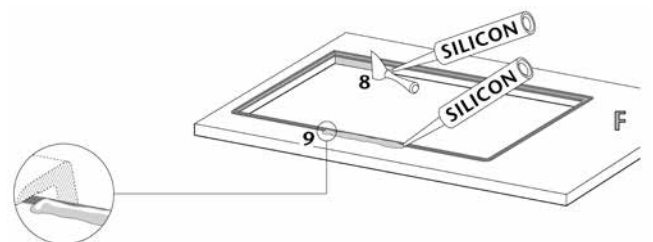
Fix EPDM foam tape all around the outer contour of the sink, 5 mm from the cutting edge. Only fix the foam tape to the work surface, not to the sanded rim of the sink!!



F Seal cleaned cut-out edge with silicon, fill

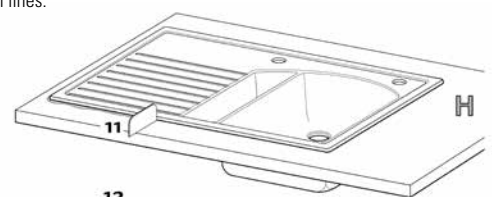
Apply a layer of silicon (approx. 10 mm thick) to the worktop area that is to support the sink and (!) to the EPDM foam tape*

*Please note the product information and the instructions for use on the packaging.



H Remove any excess silicon.

Connect supply and drain lines.

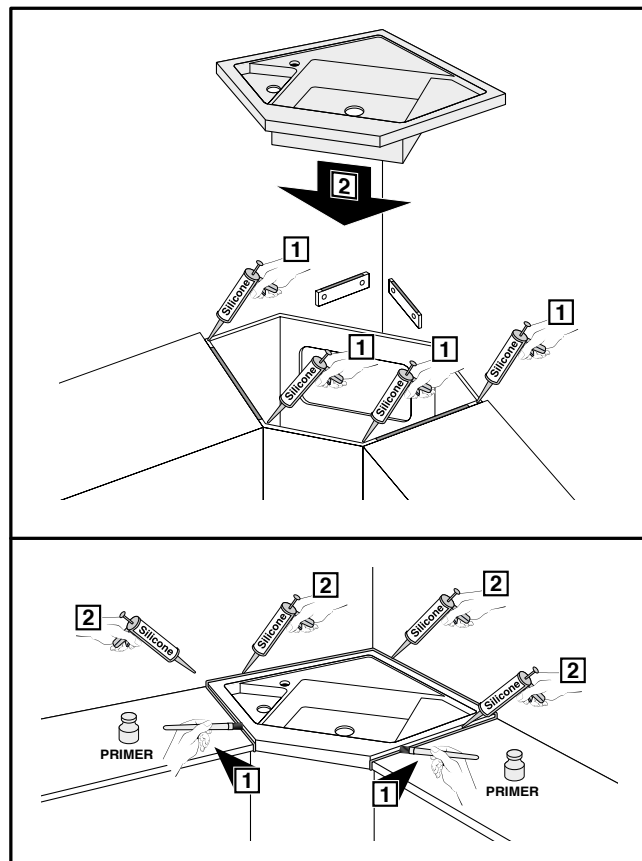


In order for Villeroy & Boch to be liable, the product must be installed in accordance with the installation instructions for allowing the option of dismantling without causing any damage (assembly set 9218 02 00).

INSTALLATION INSTRUCTIONS

Installation Instructions

Monumentum 3303



Installation Instructions

Ceramic Sinks 6320 / 6323

Please note:

In order to ensure that any concealed damage caused in transit is identified in good time, the ceramic elements should be examined prior to installation.

When installing ON METAL CONSOLES, the contact surface on the wall must be level and able to withstand pressure. The load-bearing capacity of the bathroom fitting is dependent on the stability of the wall to which it is attached. Plasterboard and similar boarding are thus only permissible when used in conjunction with suitable bearing elements.

When installing ON A CABINET, a suitable cabinet construction is required.

The installation instructions have been carefully drawn up in accordance with the latest knowledge available.

Please read them carefully prior to commencing installation work. Misunderstandings or errors resulting from changes to models of which the installer may not be aware may lead to incorrect installation.

Particularly when larger building projects or series installation work are involved, we therefore recommend you obtain confirmation from our company that the stated installation dimensions are still valid, or carry out a comparison with an article from our current production output.

The advice on installation provided in our literature, written instructions for installation and verbal advice provided by our staff do not establish a legal relationship.

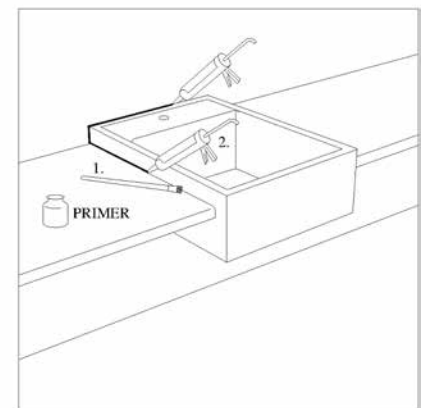
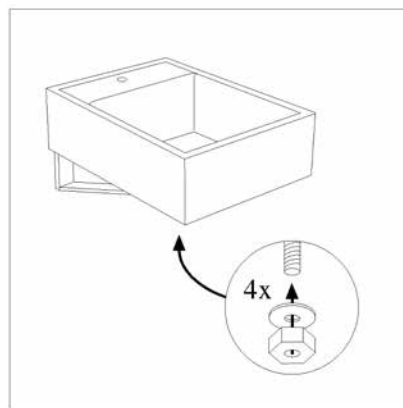
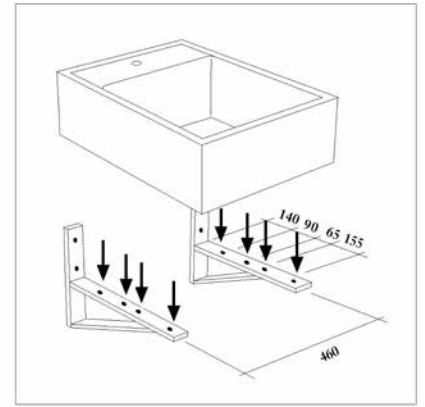
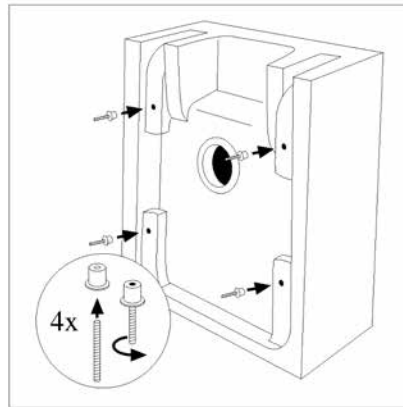
We reserve the right to carry out modifications to products in the interests of technical improvement.

INSTALLATION INSTRUCTIONS SINGLE-BOWL SINK

Installation Instructions

Single-Bowl sink

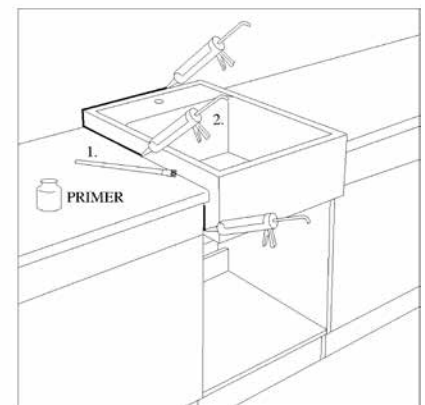
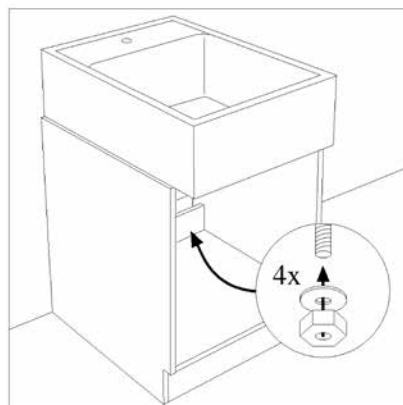
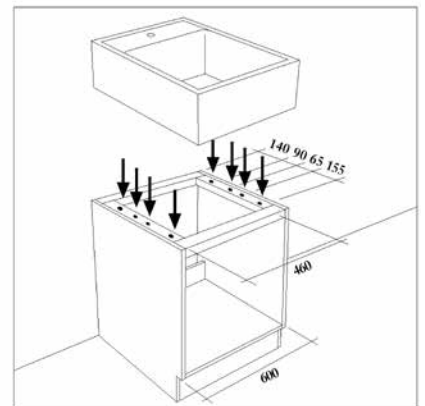
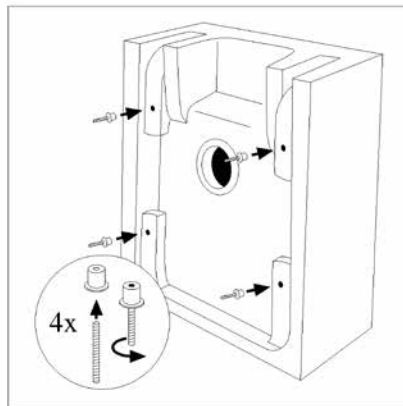
Ceramic sink 6320
(installing on metal consoles)



Installation Instructions

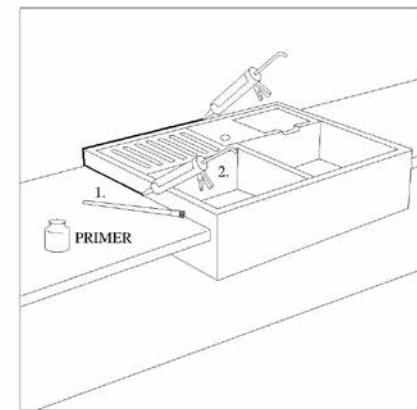
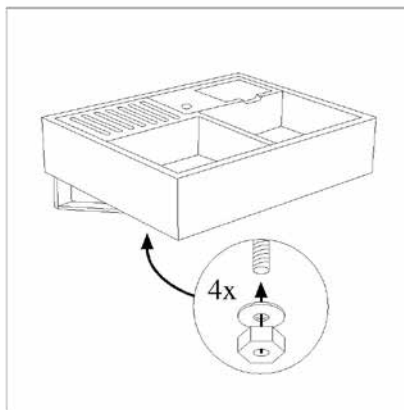
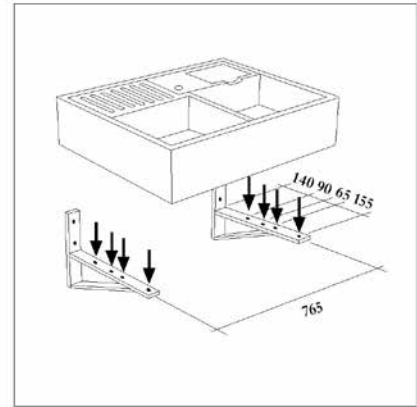
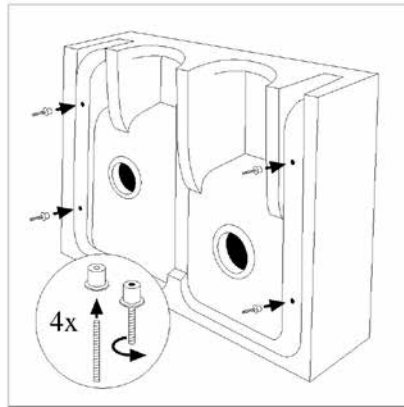
Single-Bowl sink

Ceramic sink 6320
(installing on a cabinet)

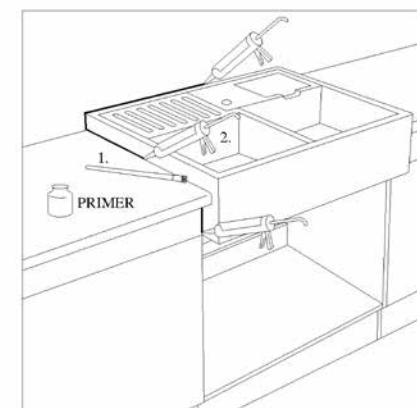
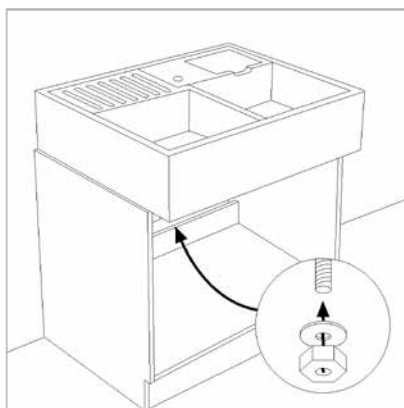
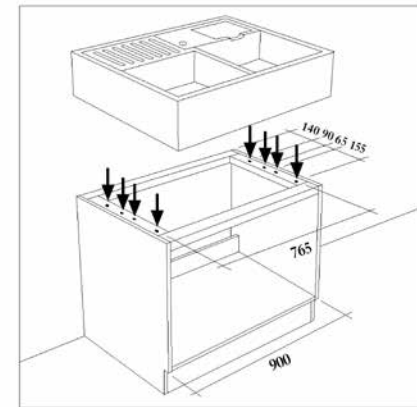
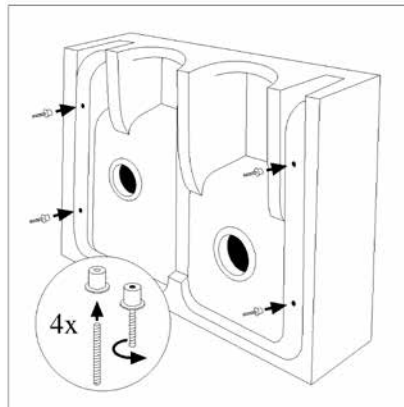


INSTALLATION INSTRUCTIONS DOUBLE-BOWL SINK

Installation Instructions Double-Bowl sink Ceramic sink 6323 (installing on metal consoles)



Installation Instructions Double-Bowl sink Ceramic sink 6323 (installing on a cabinet)



INSTALLATION INSTRUCTIONS CISTERNA & SUBWAY

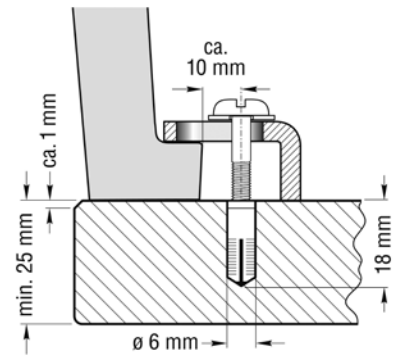
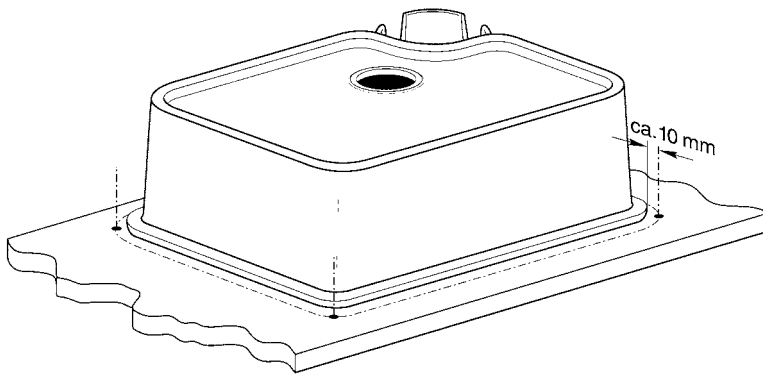
Cisterna and Subway Undercounter sinks (6702, 6703, 6704, 6706, 6707, 6758, 3310, 3324, 3325)

Instructions for installation in natural stone slabs (e.g. granite) with a minimum thickness of 25 mm.

We recommend the use of cementing materials specifically intended for natural stone. Please follow the manufacturer's instructions.

Installation accessories applied: 6 fastening brackets, 6 M5 x 35 screws, 6 M5 x 30 screws, 6 MS dowels

1. Determine where the sink is to be positioned on the slab and cut out the hole according to the template. Lay the slab face down on an absolutely plane and true, stable surface. Make sure that all surfaces top be cemented are free of grease and otherwise clean and dry. Apply silicone rubber to the ground rim of the sink. Lay the sink over the hole in the slab and align. Remove any excess sealant.
2. Mark drilling holes on the slab at approx. 10 mm from the outer edge of the sink. Ensure that the sink and brackets fit into the cabinet used. Using a 6 mm carbide drill, drill the holes (without using the percussion feature). Using a 6 mm carbide drill, drill the holes (without using the percussion feature) to 18 mm, not counting the tip, preferably using a depth gauge attachment).
3. Insert the MS special dowels enclosed flush into the holes. Attach the fastening brackets with the screws supplied to the sink and slab. Tighten the screws by hand with a screwdriver. (Do not use a torque lever).



The cut-out dimensions include allowances for ceramic tolerances and a safety margin. In certain cases the countertop may therefore jut over the rim of the washbasin by up to 11 mm (7 mm on 6705). This overhang can be minimised by producing the cut-out according to the contours of the washbasin concerned, thereby observing the ceramic tolerances.

When producing the cut-out by means of the template: Recommended distance between edge of cut-out and centre of tap fitting hole: approx. 75 mm

We reserve the right to make technical alterations.

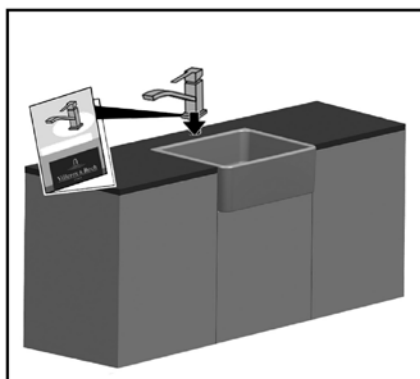
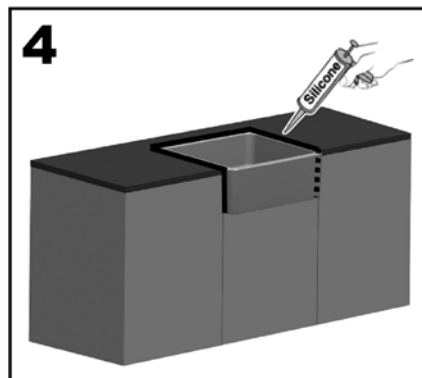
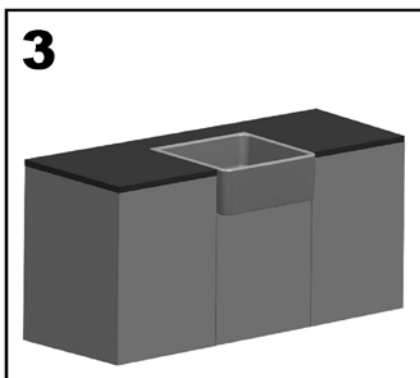
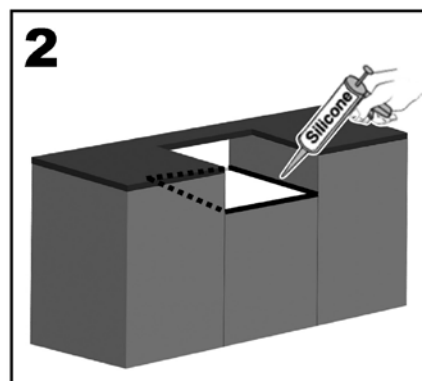
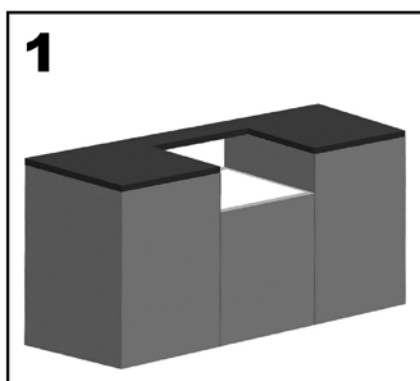
INSTALLATION INSTRUCTIONS FARMHOUSE SINKS

Installation Instructions

Farmhouse sinks

Ceramic sink 6360, 6380 and 6390

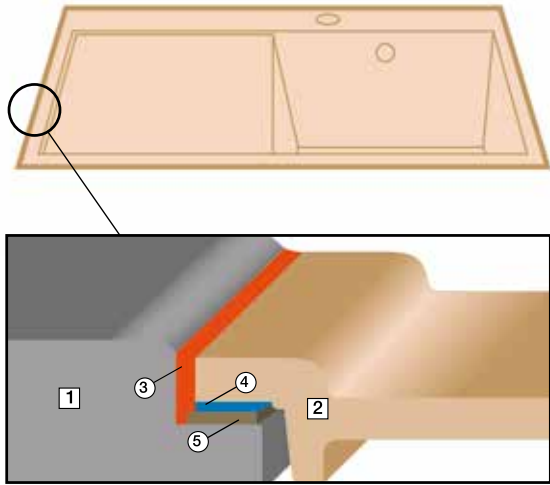
(installing on a cabinet)



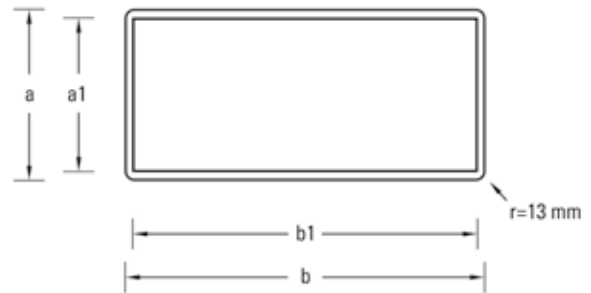
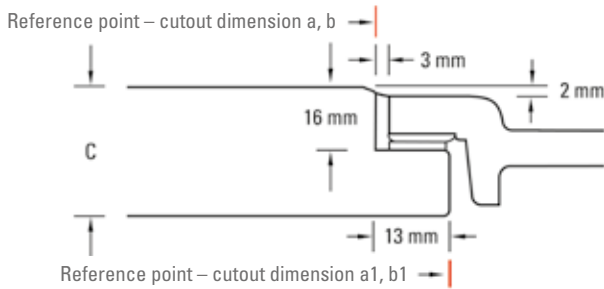
INSTALLATION INSTRUCTIONS FOR FLUSH-FIT SINKS

Recommendations for installation

of flush-fit sinks in natural stone worktops, minimum thickness 4 cm. The installation kit can also be ordered for customers under article number 9220 58 00.



1	Natural stone worktop
2	Sink
3	Natural stone-silicone jointing compound (Note recommendations by supplier/manufacturer of natural stone)
4	Levelling compound (enclosed)
5	Use enclosed wood spacers and/or levelling compound under sink for levelling purposes



Coutout dimension:

Sinks	Ref.				a (mm)	b (mm)	a1 (mm)	b1 (mm)	C (mm)
Siluet 60 Flat	3336 OF	reversible			496	986	470	960	30
Siluet 60 R Flat	3337 OF	reversibel			496	986	470	960	30
Siluet 60 S Flat	3346 OF			X	496	586	470	560	30
Siluet 50 Flat	3335 OF	reversible			496	886	470	860	30
Siluet 50 S Flat	3345 OF			X	496	496	470	470	30
Siluet 45 Flat	3334 OF	reversible			496	786	470	760	30
Subway 60 Flat	6712 OF	X			481	971	455	945	40
Subway 60 Flat	6770 OF		X		481	971	455	945	40
Subway 60 XL Flat	6719 OF	X			481	971	455	945	40
Subway 60 XL Flat	6718 OF		X		481	971	455	945	40
Subway 50 Flat	6713 OF	X			481	886	455	860	40
Subway 50 Flat	6773 OF		X		481	886	455	860	40
Subway 45 Flat	6714 OF	X			481	751	455	725	40
Subway 45 Flat	6772 OF		X		481	751	455	725	40
Subway 60 S Flat	3309 OF			X	481	571	455	545	30
Subway 60 XM Flat	6780 OF			X	481	591	455	565	30
Subway 45 XS Flat	6781 OF			X	481	446	455	420	30
Subway 50 S Flat	3315 OF			X	481	496	455	470	30
Timeline 60 Flat	6790 OF	reversible			481	971	455	945	40
Timeline 50 Flat	3307 OF	reversible			481	871	455	845	40
Timeline 45 Flat	6791 OF	reversible			481	771	455	745	40

INSTALLATION MEASUREMENTS

WITH THE OPTION OF DISMANTLING WITHOUT CAUSING ANY DAMAGE

Sinks	Ref.	A	B	C	D	E	F	G	H	I	J
ARCHITECTURA 80	3380	50	50	400-460	600	460	370	--	--	80	80
ARCHITECTURA 60	3360	50	50	400-460	600	460	380	--	--	80	80
ARCHITECTURA 60 XR	3365*4	0	100	400-460	600	460	380	--	--	80	80
ARCHITECTURA 60 XR	3365*5	100	0	400-460	600	460	380	--	--	80	80
ARCHITECTURA 50	3350	50	50	400-460	600	460	380	--	--	80	80
ARENA CORNER	6729	ONLY INSTALLATION IN CORNER POSSIBLE						900	900	80	80
CISTERNA 60C	6706	*6	*6	390-420	600	460	330	--	--	80	80
CISTERNA 60B	6702	*6	*6	390-420	600	460	330	--	--	80	80
CISTERNA 50	6703	*6	*6	390-420	600	460	30	--	--	80	80
CISTERNA 45	6704	*6	*6	390-420	600	460	330	--	--	80	80
CISTERNA 26	6707	*6	*6	390-420	600	460	330	--	--	80	80
CONDOR 60	6759	50	50	400-480	600	460	380	--	--	80	80
CONDOR 50	6732*4	0	100	400-470	600	460	380	--	--	80	80
CONDOR 50	6732*5	100	0	400-470	600	460	380	--	--	80	80
CONDOR 45	6745*4	0	100	400-480	600	460	380	--	--	80	80
CONDOR 45	6745*5	100	0	400-480	600	460	380	--	--	80	80
FLAVIA 60	3304*4	0	100	400-460	60	460	380	--	--	80	80
FLAVIA 60	3304*5	100	0	400-460	60	460	380	--	--	80	80
FLAVIA 50	3305*4	0	100	400-460	60	460	380	--	--	80	80
FLAVIA 50	3305*5	100	0	400-460	60	460	380	--	--	80	80
FLAVIA 45	3306*4	0	100	400-460	60	460	380	--	--	80	80
FLAVIA 45	3306*5	100	0	400-460	60	460	380	--	--	80	80
SOLO CORNER	6708	ONLY INSTALLATION IN CORNER POSSIBLE						900	900	80	80
SILUET 60	3336*4	0	100	400-460	600	460	380	--	--	80	80
SILUET 60	3336*5	100	0	400-460	600	460	380	--	--	80	80
SILUET 60 R	3337*4	0	100	400-460	600	460	360	--	--	80	80
SILUET 60 R	3337*5	100	0	400-460	600	460	360	--	--	80	80
SILUET 60 S	3346	0	100	400-600	600	460	370	--	--	80	--
SILUET 50	3335*4	0	100	400-460	600	460	380	--	--	80	80
SILUET 50	3335*5	100	0	400-460	600	460	380	--	--	80	80
SILUET 50 S	3345	0	100	400-600	600	460	370	--	--	80	--
SILUET 45	3334*4	0	100	400-460	600	460	380	--	--	80	80
SILUET 45	3334*5	100	0	400-460	600	460	380	--	--	80	80
SILUET 60 Flat	3336 0F*4	0	100	400-450	600	460	370	--	--	80	80
SILUET 60 Flat	3336 0F*5	100	0	400-450	600	460	370	--	--	80	80
SILUET 60 R Flat	3337 0F*4	0	100	400-450	600	460	370	--	--	80	80
SILUET 60 R Flat	3337 0F*5	100	0	400-450	600	460	370	--	--	80	80
SILUET 60 S Flat	3346 0F	0	100	400-600	600	460	370	--	--	80	--
SILUET 50 Flat	3335 0F*4	0	100	400-450	600	460	370	--	--	80	80
SILUET 50 Flat	3335 0F*5	100	0	400-450	600	460	370	--	--	80	80
SILUET 50 S Flat	3345 0F	0	100	400-600	600	460	370	--	--	80	--
SILUET 45 Flat	3334 0F*4	0	100	400-450	600	460	370	--	--	80	80
SILUET 45 Flat	3334 0F*5	100	0	400-450	600	460	370	--	--	80	80
SUBWAY 80	6726	50	50	400-460	600	460	370	--	--	--	80
SUBWAY 60	6712	50	50	400-460	600	460	370	--	--	--	80
SUBWAY 60	6770	50	50	400-460	600	460	370	--	--	80	--
SUBWAY 60 Flat	6712 0F	50	50	400-450	600	460	360	--	--	--	80
SUBWAY 60 Flat	6770 0F	50	50	400-450	600	460	360	--	--	80	--
SUBWAY 60 XL	6718	100	0	400-460	600	460	370	--	--	--	80
SUBWAY 60 XL	6719	0	100	400-460	600	460	370	--	--	80	--
SUBWAY 60 XL Flat	6718 0F	100	0	400-460	600	460	360	--	--	--	80

*1 The installation measurements for installation of the fitting in the middle. *2 The installation measurements for installation of the fitting in the hole near the basin. *3 The installation measurements for installation of the fitting left. *4 The installation measurements for installation of the bowl right. *5 The installation measurements for installation of the bowl left. *6 Dependent of the position of the taps. *7 Measured from the middle of the 90mm waste outlet. *8 When installing in the central tap hole.

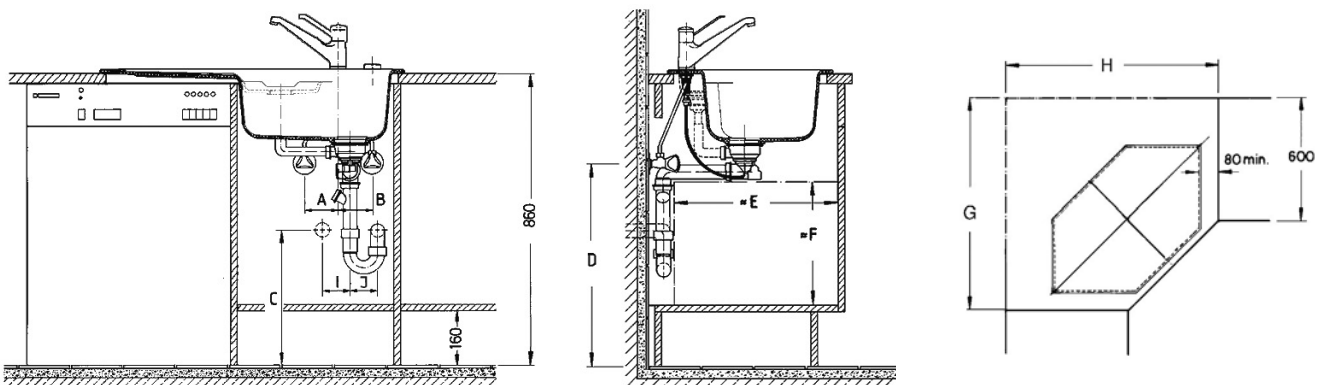
INSTALLATION MEASUREMENTS

WITH THE OPTION OF DISMANTLING WITHOUT CAUSING ANY DAMAGE

Sinks	Ref.	A	B	C	D	E	F	G	H	I	J
SUBWAY 60 XL Flat	6719 OF	0	100	400-460	600	460	360	--	--	80	--
SUBWAY 60 XM	6780*8	50	50	400-460	600	460	370	--	--	--	80
SUBWAY 60 XM Flat	6780 OF*8	50	50	400-450	600	460	360	--	--	--	80
SUBWAY 60 S	3309	0	100	400-460	600	460	370	--	--	80	--
SUBWAY 60 S Flat	3309 OF	0	100	400-450	600	460	370	--	--	80	--
SUBWAY 60 SU	3310	*6	*6	390-420	600	460	330	--	--	80	80
SUBWAY 60 XU	6758	*6	*6	390-420	600	460	330	--	--	80	80
SUBWAY 50	6713*8	50	50	400-460	600	460	370	--	--	--	80
SUBWAY 50	6773*8	50	50	400-460	600	460	370	--	--	80	--
SUBWAY 50 Flat	6713 OF*8	50	50	400-450	600	460	360	--	--	--	80
SUBWAY 50 Flat	6773 OF*8	50	50	400-450	600	460	360	--	--	80	--
SUBWAY 50 S	3315	0	100	400-460	600	460	370	--	--	80	--
SUBWAY 50 S Flat	3315 OF	0	100	400-460	600	460	360	--	--	80	--
SUBWAY 50 SU	3325	*6	*6	400-460	600	460	330	--	--	80	80
SUBWAY 45	6714*2	50	50	400-460	600	460	370	--	--	--	80
SUBWAY 45	6772*2	50	50	400-460	600	460	370	--	--	80	--
SUBWAY 45 Flat	6714 OF*2	50	50	400-450	600	460	360	--	--	--	80
SUBWAY 45 Flat	6772 OF*2	50	50	400-450	600	460	360	--	--	80	--
SUBWAY 45 Compact	3313	100	0	400-460	600	460	370	--	--	--	80
SUBWAY 45 Compact	3312	100	0	400-460	600	460	370	--	--	80	--
SUBWAY 45 XS	6781*8	100	0	400-460	600	460	370	--	--	--	80
SUBWAY 45 XS Flat	6781 OF*8	100	0	400-450	600	460	360	--	--	--	80
SUBWAY 45 SU	3324	*6	*6	400-460	600	460	330	--	--	80	80
TIMELINE 60	6790*4	100	0	400-460	600	460	370	--	--	80	80
TIMELINE 60 Flat	6790 OF*4	100	0	400-450	600	460	360	--	--	80	80
TIMELINE 50	3307*4	100	0	400-460	600	460	370	--	--	--	80
TIMELINE 50 Flat	3307 OF*4	100	0	400-460	600	460	360	--	--	--	80
TIMELINE 45	6791*4	100	0	400-460	600	460	370	--	--	80	--
TIMELINE 45 Flat	6791 OF*4	100	0	400-450	600	460	360	--	--	80	--

INSTALLATION MEASUREMENTS

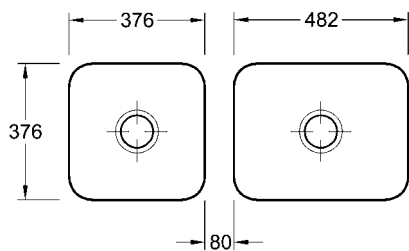
Surface-mounted installation



POSSIBLE COMBINATIONS

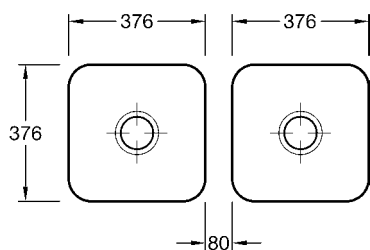
Undercounter (range with the cut-out dimensions*)

120 CM
Width of
undersink cabinet

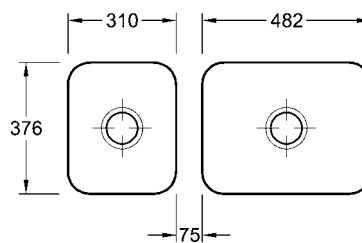


CISTERNA 50 + CISTERNA 60C¹
6703 + 6706

100 CM
Width of
undersink cabinet

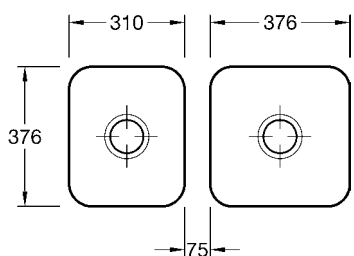


CISTERNA 50 + CISTERNA 50¹
6703 + 6703

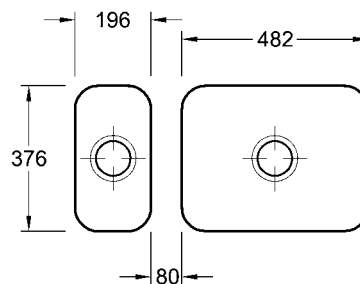


CISTERNA 45 + CISTERNA 60C¹
6704 + 6706

90 CM
Width of
undersink cabinet

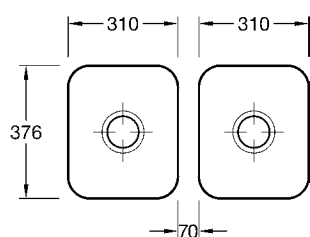


CISTERNA 45 + CISTERNA 50¹
6704 + 6703

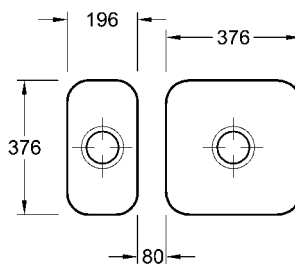


CISTERNA 26 + CISTERNA 60C¹
6707 + 6706

80 CM
Width of
undersink cabinet



CISTERNA 45 + CISTERNA 45¹
6704 + 6704



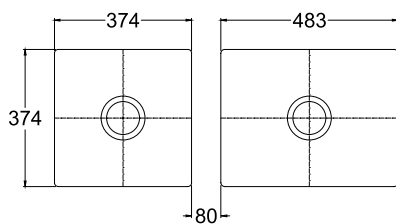
CISTERNA 26 + CISTERNA 50¹
6707 + 6703

POSSIBLE COMBINATIONS

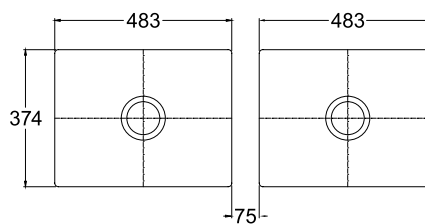
Undercounter (range with the cut-out dimensions)

120 CM

Width of undersink cabinet



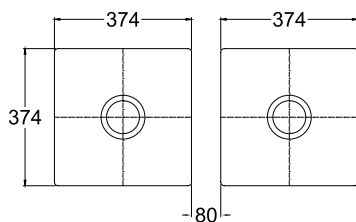
SUBWAY 50 SU + SUBWAY 60 SU¹
3325 + 3310



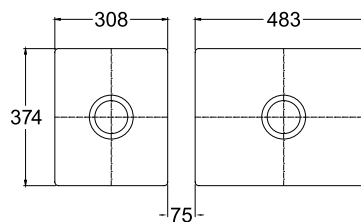
SUBWAY 60 SU + SUBWAY 60 SU¹
3310 + 3310

100 CM

Width of undersink cabinet



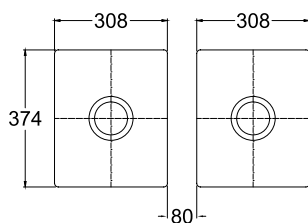
SUBWAY 50 SU + SUBWAY 50 SU¹
3325 + 3325



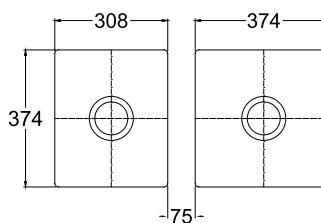
SUBWAY 45 SU + SUBWAY 60 SU¹
3324 + 3310

90 CM

Width of undersink cabinet



SUBWAY 45 SU + SUBWAY 45 SU¹
3324 + 3324



SUBWAY 45 SU + SUBWAY 50 SU¹
3324 + 3325

Accessories (also required):	Ref.	€ excl. VAT
Drain connection for all shown Cisterna and Subway combinations.	8297 00 00	29,00

GENERAL SALES CONDITIONS OF VILLEROY & BOCH AG

Bath and Wellness Division, Rev. August 2016

I. GENERAL

1. These General Conditions of Sale (hereinafter referred to as "conditions of sale") shall apply to all – i. e. also to future – quotations, supply and other performance by Villeroy & Boch AG including all its branches and group companies (hereinafter referred to as "we", "us" or "ourselves"), to customers who are not consumers within the meaning of § 13 of the German Civil Code BGB (hereinafter referred to as "purchasers"; the purchaser and ourselves taken together also being referred to hereinafter as "the parties").

2. These conditions of sale shall, unless any other provision is expressly made, apply for the entire duration of the business relationship without its being necessary for us to make specific reference to the fact. Business conditions of the purchaser shall not apply unless expressly recognised by ourselves in writing. These conditions of sale shall also apply if we make deliveries to the purchaser unconditionally while aware of conditions of the purchaser which are contradictory to or deviate from our conditions of sale.

3. Any alterations (amendments/additions) to these conditions shall require to be made in writing.

4. Verbal collateral agreements or assurances shall be invalid unless confirmed by ourselves in writing.

II. QUOTATIONS

1. Unless designated as binding in their text, our quotations shall be non binding and without obligation and shall not place us under any obligation to accept a given order.

2. If, after the conclusion of the contract, modifications are called for by our customers, or if the contract is cancelled wholly or in part, all the costs and expenses and other losses thus far incurred by ourselves or to be incurred in connection therewith (e. g. lost profit) shall be chargeable to the customer. Cancellation will only be possible with our approval. This shall not affect any rights the purchaser may have to rescind or avoid the contract.

III. PRICES AND DELIVERIES

1. If the parties have not agreed any other price, the price shall be determined according to our price lists as valid at the time when the contract is concluded. Unless the parties have agreed anything different, the purchaser shall, in addition to all prices in accordance with the price lists,

2. The delivery dates or periods stated in the order confirmation shall be estimated dates or periods and shall therefore be non-binding. They shall only be binding if confirmed as such in the order confirmation.

3. Unless any other contractual agreement has been made, the delivery period shall begin on receipt of written confirmation of the order.

4. A delivery period or date shall be deemed to have been met if the goods leave our works or warehouse or, as the case may be – if they are to be collected by the purchaser – are ready for collection prior to expiry of said date or period.

5. If a non-binding delivery date or period (referred to here below in Section 6 as "non-binding delivery period") is not met, we shall be deemed to have defaulted thereon when a grace period has expired and a reminder been received from the purchaser, unless we can prove that we were not responsible for our failure to meet the non-binding delivery period or effect delivery during the grace period.

The length of the grace period shall be 1/5 of the nonbinding delivery period. The grace period shall begin on the first working day that follows the end of the delivery period. If the length of the grace period is not an exact number of full days, weeks or months, it shall be rounded off to the nearest full number of days (example: non-binding delivery period 27 days, 1/5 = 5.4 days, grace period = rounded off to 5 days). The non-binding delivery period shall be calculated in accordance with Section III. 3.

6. If a delivery period or date is not met for reasons for which we are not responsible, in particular in cases in which we ourselves have received a late or incorrect self-delivery or deliveries, the delivery period shall be extended by a reasonable period. If we are, furthermore, unable to render our performance within said reasonably extended delivery period for reasons for which we are not responsible, we shall inform the purchaser of the fact without delay. In such cases we shall have the right to rescind the contract within a period of two weeks beginning from the moment when we inform the purchaser. Having exercised said right of rescission we shall reimburse the purchaser without delay for any counter-performance that he may already have rendered. For the rest, the statutory rights and entitlements of the parties shall remain unaffected.

IV. PACKAGING

1. Unless any special packaging has been agreed, the goods shall be packaged at our discretion in accordance with the standard commercial methods.

2. The costs of transport packaging (e. g. euro containers, cardboard boxes or crates) shall be invoiced to the purchaser. If goods are shipped in reusable containers a rental charge or circu-

lation fee will be invoiced. The reusable containers are to be returned immediately to the pool via the return shipment logistics system. Costs incurred by non-fulfilment of this obligation shall be invoiced to the customer. Packaging units will be taken back within the framework of and as governed by the respective statutory regulations.

3. Loading costs are to be borne by the purchaser as shipment costs. If goods are loaded on pooling pallets, we shall accompany the loading procedure at the roadside in direct pallet exchange with the haulage contractor. If haulage contractors or customer's vehicles are used, the purchaser must supply intact exchange pallets. Missing pallets will be invoiced to the purchaser.

V. SHIPMENT

1. Goods will be shipped at the expense and risk of the purchaser.

2. The risk shall pass over to the purchaser when the articles to be delivered are handed over to the transport company or to the purchaser himself.

3. Insurance shall only be taken out at the wish and expense of the purchaser.

4. Transport damage is to be reported to the haulier for inspection without delay. The purchaser must ensure that the complaint is noted in the shipment record. The shipment record provided for such cases is to be sent to us without its being necessary for us to request that it be sent.

VI. TERMS OF PAYMENT

1. Unless any other agreement has been made, our claims shall fall due for payment in full as soon as the invoice has been received. The definitive date in determining whether or not payment has been made in due time shall be the date on which payment is actually received.

2. If it becomes apparent to us after conclusion of the contract that there is a risk that the orderer may not be in a position to fulfil his performance obligations, we shall have the right to insist that outstanding deliveries be effected only against advance payment or the provision of securities. If said advance payments have not been made or securities not provided after the expiry of a reasonable period set by ourselves, we shall be entitled to rescind all or any of the contracts affected thereby or any part thereof. The period shall be regarded as reasonable if it is at least 10 calendar days, though the purchaser shall also have the option of showing that the period was not reasonable in a given individual case. We shall in particular be entitled as above if it comes to our knowledge that the purchaser has drawn cheques not covered by sufficient funds, if bills of exchange or cheques of the purchaser's are protested, if an application is made for the institution of insolvency proceedings or if insolvency proceedings are actually instituted: the above notwithstanding our entitlement to assert further rights.

3. Bills of exchange and cheques will only be accepted following special agreement and in all cases only as conditional payment. Discount charges, collection fees and all other costs shall be chargeable to the purchaser.

VII. RETENTION OF TITLE

1. We shall reserve ownership of the delivered goods until such time as all payments arising from the existing business association with the purchaser have been received; said reservation refers to the acknowledged balance.

2. The purchaser shall have the right to resell goods subject to retention of title in the normal course of business, but only under retention of title. The purchaser may neither pledge the goods subject to retention of title nor transfer title of them as security. The purchaser hereby now assigns to us as collateral all claims which accrue to him from the resale in the amount of the final invoice of our claim (inclusive of turnover tax). We hereby accept the assignment. The claims thus assigned to us in advance by the purchaser also relate to the acknowledged balance and, in the case of insolvency of the purchaser, to the existing causal balance. The cover limit of the assigned claims shall be 110% of the realisable value of the goods subject to retention of title sold and delivered in each respective case. The purchaser shall be empowered to collect the claim. Said empowerment to collect and authorisation to resell may be revoked by us if the purchaser is in breach of any of his material contractual obligations (e. g. default in payment).

3. The purchaser shall inform us without delay of any attempts by third parties to take possession of the goods delivered under retention of title, doing so if possible at an early stage, when such attempts are still imminent. He shall inform third parties attempting (or intending to attempt) to take possession of the goods that the latter are our property. Any costs of interventions (e. g. § 771 of the German Code of Civil Procedure [ZPO]) shall be borne by the purchaser if the third party is not in a position to reimburse us for the judicial and extrajudicial costs.

4. If the purchaser is in breach of any of his material contractual obligations, in particular in cases of default in payment, we shall have the right to repossess the purchase object and to visit the premises of the purchaser for the purpose of so doing. Rescission of the contract is, furthermore, immanent in any such repossession of the purchase object by us. We shall, after repossession, be authorised to exploit the purchase object commercially, whereby the proceeds from such exploitation are to be offset against the liabilities of the purchaser (e. g.

GENERAL SALES CONDITIONS OF VILLEROY & BOCH AG

Bath and Wellness Division, Rev. August 2016

damages) – minus reasonable exploitation costs. If the purchaser was culpable in his breach of the obligation that led to the rescission, he shall remit to us lump sum compensation for the return transport of the purchase object in the amount of 5% of the purchase price. This sum may be set higher or lower if we can prove that the loss or damage was in fact greater, or if the purchaser can prove that it was in fact smaller.

5. We shall, for as long as a claim on our part is outstanding, have the right to request information from the purchaser at any time as to which goods delivered under retention of title are still in his possession, where they are, and to which customers the remaining goods supplied by us have been sold, said information relating to quantity, type and number. We shall also have the right to inspect the goods delivered under retention of title on any of the purchaser's premises, wherever the goods may be at any given time.

6. The purchaser shall be under obligation to treat the purchase object with due care and to carry out any necessary servicing and maintenance work at his own expense, to insure our goods against fire and theft at his own expense, and to furnish us on request with proof that said insurance has been taken out.

7a) Any processing or remodelling of the purchase object by the purchaser will always be carried out on our behalf. If the purchase object is processed with other objects of which we are not the owner, we shall acquire co-ownership of the new thing in proportion of the value of the purchase object (final invoice amount inclusive of turnover tax) to the other processed objects at the time of processing. For the rest, the provisions governing retention of title shall apply correspondingly to the thing created by the processing.

b) As security against our claims against him, the purchaser shall also assign to us the claims which accrue to him against a third party as a result of his combining the purchase object with a plot of land.

8. If the purchaser can prove that the realisable value of the securities exceeds that of the outstanding claims by more than 10%, we shall release the surplus amount if requested to do so by the purchaser.

VIII. PRODUCT CHARACTERISTICS

1. We hereby draw attention to the following:

- On account of differing materials and manufacturing procedures, a series may feature variations in colour, often also depending on the lighting conditions.
- For typographic reasons there may be deviations in colour between the illustrations in a prospectus/catalogue and the actual product itself.
- Acidic and/or caustic cleansing agents may cause damage if improperly used.
- Goods labelled „seconds“ will be inferior in design and quality to goods labelled „1st choice“.

2. We reserve the right to produce goods with variations in finish, colour and shape such as are usual in the trade.

3. If the purchaser makes any subsequent changes to the goods supplied by us, in particular decorations or technical modifications, he shall not be permitted to resell them under our trademark unless we have issued our prior agreement to the changes in writing.

IX. WARRANTY

1. Unless any other provision is made here below relating to the rights of the purchaser in cases of material and legal defects, the statutory regulations shall apply. In particular, moreover, the special statutory regulations covering final delivery of the goods to a consumer (recourse claims against suppliers in accordance with §§ 478, 479 of the German Civil Code BGB) shall remain unaffected.

2. § 377 of the German Commercial Code (HGB) shall apply in respect of the inspection of the goods and notification of defects, with the proviso that the period for giving notice of obvious defects shall be two weeks as from delivery, whilst the period for giving notice of defects that are not obviously discernible shall be two weeks as from their discovery.

3. If the goods are defective, we shall at our discretion be entitled either to rectify the defects (rectification of defects) or deliver defect-free goods (replacement delivery).

4. The purchaser shall store and handle rejected goods in the correct and proper manner.

5. We shall have the right to examine rejected goods together with an expert or other third party appointed by ourselves for the purposes of appraisal, and if necessary for the purpose of drawing up cost estimates or similar. If the purchaser fails to make the rejected goods available to us for examination within a reasonable period set by ourselves, our liability for the defects shall cease on expiry of said period.

6. In the course of supplementary performance which we are liable to carry out, we shall neither be under obligation to remove the defective thing nor to install the new thing if we were not originally under obligation to install.

7. Warranty claims on the part of the purchaser such as are oriented toward damages or compensation for futile expenditure may stand as governed in Section X („Liability“), but shall otherwise be excluded.

8. For goods which have in accordance with their normal intended use been used in a building and have caused said building to be defective, the period of limitation shall be 5 years as from delivery. For all other goods the period of limitation shall be 1 year as from delivery. In cases of intent or gross negligence or if a guarantee has been given (§ 444 of the German Civil Code BGB), and cases such as those quoted in § 479 of the German Civil Code BGB and other special statutory regulations on limitation, the statutory period of limitation will continue to apply.

9. Our liability for defects shall not extend to cover damage caused by normal wear and tear (e. g. metal abrasion or wear caused by abrasive agents), deterioration in surface properties such as was unavoidable according to the accepted engineering standards at the time when the contract was concluded, improper use of the goods, non-compliance with the instructions for cleaning, care or use, or damage caused by the purchaser or a third party or parties.

X. LIABILITY

1. We shall be liable to the purchaser for damages and compensation for expenses, in each case as governed by the statutory regulations, in the following cases (here below in Section X: „Liability“): liability under the German Product Liability Act (ProdHaftG); intent or fraudulent misrepresentation; gross negligence; injury to life, limb or health; cases in which a guarantee has been given by ourselves; cases such as those quoted in § 288 Para. 6 Sentence 1 of the German Civil Code BGB and any other cases of statutorily compulsory liability.

2. We shall also be liable to the purchaser for damages in case of culpable breach of material contractual obligations as governed by the statutory regulations. Material contractual obligations within the meaning of this clause are all obligations the breach of which jeopardises the achievement of the object of the contract and all obligations without the performance of which the contract cannot properly be fulfilled and in compliance with which the purchaser may routinely trust. Having said that, if a material contractual obligation is breached in a way that involves only ordinary negligence, entitlements of the purchaser to claim for damages shall, as regards the amount, be restricted to typical foreseeable loss or damage.

3. If we default on or fall behind with our performance, the purchaser shall be entitled to claim against us on the basis of that default if his claim is for a contractual penalty or lump-sum compensation incurred within a supply chain in another contractual relationship in that supply chain, but only if he informed us expressly about the risk of such loss or damage prior to the conclusion of the contract. If not, the purchaser shall be entitled to claim for a contractual penalty or lump-sum compensation owed and paid by him as loss or damage caused by default only in the amount of a maximum of 5% of the net value of our order. The above shall apply correspondingly if the purchaser makes a claim against us for indemnification in respect of such contractual penalties or lump-sum compensation.

4. For the rest, there shall be no entitlement of the purchaser to claim for damages for whatever cause in law.

5. If our liability is restricted or excluded in accordance with the above provisions, the same shall apply to the personal liability of our legal representatives, employees, non-managerial staff and vicarious agents.

6. The entitlement of the customer to claim for damages shall fall under the statute of limitation within the statutory periods of limitation, the statutory regulations also applying as regards the beginning of said periods.

XI. OFFSET, RIGHT OF RETENTION

1. The purchaser shall only be entitled to offset against due claims which are uncontested or have been established as legally established as final.

2. The purchaser shall only be entitled to a right of retention in respect of legally enforceable or uncontested claims.

XII. INDUSTRIAL PROPERTY RIGHTS

All industrial and intellectual property rights relating to our products, shapes, illustrations, installation instructions, reports, data and other records and documents shall remain the property of ourselves or, as the case may be, our respective licensors. No rights of use or exploitation shall be granted to the purchaser relating to said industrial or intellectual property rights.

XIII. APPLICABILITY OF GERMAN LAW, PLACE OF JURISDICTION

1. The law of the Federal Republic of Germany shall apply, there being no recourse to the UN Convention on Contracts for the International Sale of Goods (CISG).

2. If the purchaser is a businessman who concludes the contract in the context of a commercial transaction, a legal entity under public law or a separate asset under public law, the place of jurisdiction for all disputes arising from or in connection with the contract shall be the registered office of the Villeroy & Boch group company which concluded the contract. If that company does not have a general jurisdiction venue in the Federal Republic of Germany, the place of jurisdiction shall be the registered office of Villeroy & Boch AG.

INDEX

Ref.	Page	Ref.	Page	Ref.	Page	Ref.	Page
3303	69	6780	26, 58	8K14	16, 27, 59	9624	14-76, 93
3304	19	6781	41, 67	8K15	42, 68	9668	85, 97
3305	30	6790	27, 59	8K18	69	9697	89, 98
3306	37	6791	42, 68	8K19	69	9837	75
3307	35, 64	8214	18, 23, 26, 33, 55, 58, 62	8K23	19, 94	9841	43, 49, 96
3309	24, 56	8215	18, 23, 26, 33, 55, 58, 62	8K24	30, 37, 94	9849	45, 50, 96
3310	48	8223	14-15, 17, 72-73	8K29	35, 64	9850	96
3312	39	8226	14-15, 17, 72-73	8K30	17, 36	9851	43
3313	39	8231	36	8K31	96	9888	76
3315	34, 63	8232	70	8K33	23-25, 33-34, 39-41, 55-58, 62-63, 66-67, 93	9K04	22-26, 32-34, 39-41, 54-58, 61-63, 66-67, 94
3324	51	8233	36, 71	8K34	23-26, 33-34, 39-41, 55-58, 62-63, 66-67, 94	9K08	14-71, 74, 93
3325	50	8244	29	8K36	14-42, 52-68, 93	9K09	96
3334	38, 65	8245	29	8K80	76	9K10	20, 52, 96
3335	31, 60	8248	75	8K81	76	9K11	21, 31, 53, 60, 96
3336	20, 52	8249	75	8K92	19, 21, 53	9K12	38, 65, 96
3337	21-22, 53-54	8262	70	8K93	30, 37		
3345	32, 61	8270	71, 74	8K96	19, 21, 53		
3346	22, 54	8276	16, 20, 24-25, 27-28, 31, 34-35, 38-42, 44-48, 50-52, 56-57, 59-60, 63-68	8K97	22, 30, 32, 37, 54, 61		
3350	28	8282	43, 49	8K99	28, 32, 34, 61, 63		
3360	16	8283	43, 49	9208	69-71		
3365	17	8286	16, 20, 24-25, 27-28, 31, 34-35, 38-42, 44-48, 50-52, 56-57, 59-60, 63-68, 74	9218	43-51		
3380	14	8299	17, 20-21, 31, 34, 38, 49, 52-53, 60, 63, 65, 93-94, 98	9220	52-53, 55-60, 62-68, 96		
6320	71	8304	96	9236	91, 98		
6323	70	8306	18	9240	78, 97		
6360	74	8314	29	9251	79, 97		
6380	73	8323	70	9252	79, 98		
6390	72	8331	96	9253	90, 97-98		
6702	43	8341	70, 96	9254	90		
6703	45	8345	14-18, 28-29, 32, 36, 61, 94	9257	81		
6704	46	8349	75, 96	9258	81		
6706	44	8395	96	9265	88, 97-98		
6707	47	8397	44, 48, 96	9266	86, 97		
6708	76	8K00	19, 30, 37, 93	9267	87		
6712	23, 55	8K02	18	9268	86, 98		
6713	33, 62	8K03	29, 46, 51	9269	87		
6714	40, 66	8K04	23, 26, 55, 58, 96	9270	83, 97		
6718	25, 57	8K05	33, 62, 96	9271	83, 97		
6719	25, 57	8K06	39-41, 66-67, 96	9272	81, 98		
6726	15	8K07	15, 96	9273	88, 97-98		
6729	75	8K09	22, 24-25, 54, 56-57, 76, 96	9275	82		
6732	29	8K12	96	9276	84		
6745	36	8K13	96	9277	84		
6758	49			9278	80		
6759	18			9279	80, 98		
6770	23, 55			9405	95		
6772	40, 66						
6773	33, 62						

Name	Page
Built-in sinks	
Architectura 50 - 3350	28
Architectura 60 - 3360	16
Architectura 60 XR - 3365	17
Architectura 80 - 3380	14
Condor 45 - 6745	36
Condor 50 - 6744	29
Condor 60 - 6759	18
Flavia 45 - 3306	37
Flavia 50 - 3305	30
Flavia 60 - 3304	19
Siluet 45 - 3334	38
Siluet 50 - 3335	31
Siluet 50 S - 3345	32
Siluet 60 - 3336	20
Siluet 60 R - 3337	21
Siluet 60 S - 3346	22
Subway 45 - 6714/6772	40
Subway 45 Compact - 3312/3313	39
Subway 45 XS - 6781	41
Subway 50 - 6713/6773	33
Subway 50 S - 3315	34
Subway 60 - 6770	23
Subway 60 S - 3309	24
Subway 60 XL - 6718/6719	25
Subway 60 XM - 6780	26

Name	Page
Subway 80 - 6726	15
Timeline 45 - 6791	42
Timeline 50 - 3307	35
Timeline 60 - 6790	27
Flush-mounted sinks	
Siluet 45 flat - 3334	65
Siluet 50 flat - 3335	60
Siluet 50 S Flat - 3345	61
Siluet 60 flat - 3336	52
Siluet 60 R flat - 3337	53
Siluet 60 S Flat - 3346	54
Subway 45 flat - 6714/6772	66
Subway 45 XS flat - 6781	67
Subway 50 flat - 6713/6773	62
Subway 50 S flat - 3315	63
Subway 60 flat - 6712/6770	55
Subway 60 S flat - 3309	56
Subway 60 XL flat - 6718/6719	57
Subway 60 XM flat - 6780	58
Timeline 45 flat - 6791	68
Timeline 50 flat - 3307	64
Timeline 60 flat - 6790	59
Undercounter sinks	
Cisterna 26 - 6707	47
Cisterna 45 - 6704	46
Cisterna 50 - 6703	45
Cisterna 60B - 6702	43

Name	Page
Cisterna 60C - 6706	44
Subway 45 SU - 3324	51
Subway 50 SU - 3325	50
Subway 60 SU - 3310	48
Subway 60 XU - 6758	49
Modules	
Double bowl sink - 6323	70
Farmhouse 60 X - 6360	74
Farmhouse 80 X - 6380	73
Farmhouse 90 X - 6390	72
Monumentum - 3303	69
Single bowl sink - 6320	71
Corner sinks	
Arena Corner - 6729	75
Solo Corner - 6708	76
Taps	
Avia 2.0 - 9240	78
Como - 9251	79
Como Shower - 9252	79
Como Shower Sky - 9279	80
Como Shower Window - 9257	81
Como Sky - 9278	80
Como Switch - 9272	81
Como Window - 9257	81
Como X - 9275	82
Finera - 9270	83
Finera Slope - 9276	84

Name	Page
Finera Square - 9271	83
Finera Square Slope - 9277	84
Modern Steel - 9668	85
Soap dispenser - 9236	91
Sorano - 9266	86
Sorano Shower - 9268	86
Sorano Sky - 9267	87
Sorano Sky Shower - 9269	87
Steel Expert - 9265	88
Steel Expert Compact - 9273	88
Steel Shower - 9697	89
Umbrella - 9253	90
Umbrella Flex - 9254	90

VILLEROY & BOCH

*Villeroy & Boch AG
Bathroom and Wellness Division
Headquarters
D-66693 Mettlach
GERMANY*

*Tel. +49 (0) 6864-81-0
Fax +49 (0) 6864-81-1405*